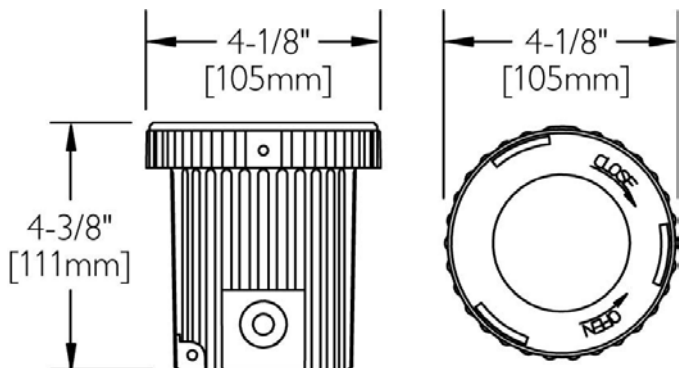


Project: \_\_\_\_\_  
 Location: \_\_\_\_\_  
 Cat.No: \_\_\_\_\_  
 Type: \_\_\_\_\_  
 Lamps: \_\_\_\_\_ Qty: \_\_\_\_\_  
 Notes: \_\_\_\_\_



### Ordering Guide

Example: IUL516 H

<b>Product Code</b>	IUL516	Composite Inground
<b>Finish</b>	H	Bronze

### Specifications

**HOUSING:**

One-piece injection molded ULTEM® High Performance Polymer composite. Lens ring is a Single-piece injection molded ULTEM® High Performance Polymer with gasketed lens. Twist-off operation for ease of maintenance.

**FINISH:**

Composite is textured, pressure formed, molded-in-color.

**OPTICAL ASSEMBLY:**

Clear convex, tempered glass furnished with silicone O-ring for watertight seal.

**LAMPING:**

35W maximum MR16 bi-pin lamp. Lower wattage lamps are acceptable. Covered MR16 are recommended to protect lamps inner capsule.

**ELECTRICAL ASSEMBLY:**

Bi-pin socket type (GU5.3) with 250° C high temperature teflon coated wire leads. 12 Volt fixture is pre-wired with 3-ft pigtail of 18-2 AWG, 105° C, SPT-1W wire. Low voltage quick connector, catalog #LVC3 included for easy hook-up to the low voltage supply cable, not included. 12 Volt system requires remote transformer, not included.

**ACCESSORIES:**

IBL16 Ice Blue Lens. ISL16 Spread Lens. IAS16 Linear Spread Lens. ICG16 - Internal snap on Honeycomb louver (Lamp MR16). CP5 - Concrete Pour Kit.

**WARRANTY:**

Ten-year limited warranty.

**CERTIFICATIONS:**

ETL listed to U.S. safety standards for wet locations. cETL listed to Canadian safety standards for wet locations. Manufactured to ISO 9001:2008 Standards.

**Height :**

4 3/8" (111mm)

**Width:**

4 1/8" (105mm)

**Max. Weight:**

1.24 lb

