

ATF7509

8.5W LED Track Head
Track Lighting



Job Information	
Project Name	
Type	
Location	
Quantity	
Date	

Description

The ATF7509 is a 8.5W high powered, Energy Star® approved LED track fixture specially designed for task and accent lighting. Available in black and white finishes.

Features

Body

Constructed of aluminum, the body features an aesthetically pleasing smooth cylindrical shape. The body included a colour matching aluminum heat sink in order to provide maximum heat dissipation.

Beam Spread

The fixture is available in 15°, 38° and 60° beam angle.

Dimming

The integrated driver is 100-0% dimmable when used with TRIAC / ELV dimming controls (Consult factory for compatible dimmers).

Adjustability

Adjustable up to 90° tilt and 330° rotation to allow for spotlight into multiple directions.

LED Characteristics

High powered 8.5W CREE® CXA1507 LED array maintains uniform intensity with a typical luminous flux up to 680 lumens, making it a suitable replacement for 50W PAR20 halogen lamps; with a CRI of 80. Available in 3000 K and 4000 K correlated colour temperature.

Compatibility

Fixture is provided with A-Line

connector which is compatible with Juno style track. For other connector configuration (Halo, Liteline), please contact your A-Line representative.

QuickShip In-Stock

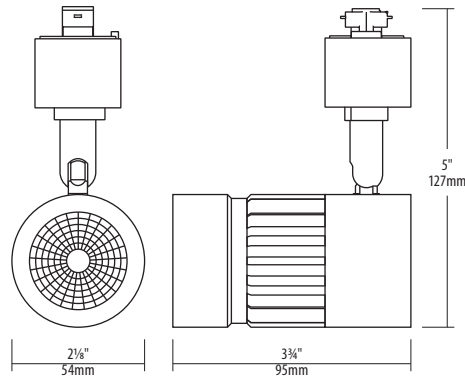
In-Stock products ship within two business days of an order being released.*



SPECIFICATION

Application	Track
Approved Location	Dry / Indoor
Beam Angle	15° / 38° / 60°
CCT	3000 K / 4000 K
Certification	cETLus
Colour	BK / SL / WH
CRI	80
Dimming	Yes
Dimming Tech	TRIAC, ELV
Energy Star®	Yes
LM79	Yes
Lumen Maintenance	70% @ 50,000 Hrs
Lumens	680
Lumens per Watt	80
Primary Voltage	120V AC
Projected Life	35,000 HRS
Rotation	330°
Tilt	90°
Warranty	5 Years
Wattage	8.5

Technical Drawings



Ordering Guide

Connector Type	Color Temp.	Beam Spread	Finish Color
Blank	30 : 3000 K	38 : 38°	BK : Black
H : Halo	40 : 4000 K	15 : 15°	WH : White
LL : Liteline		60 : 60°	SL : Silver



Highlighted option denotes QuickShip.

* QuickShip option is available on orders of 100 pieces or less. QuickShip lead time may vary for orders greater than 100 pieces. No additional shipment rates apply. Subject to availability.

Notes: For additional options please consult your A-Line Lighting representative. Juno is a registered trademark of Juno Lighting Group. Halo is a registered trademark of Cooper Lighting. Due to our continued efforts to improve our products, product specifications are subject to change without notice.

Photometry

ATF7509-3038 : 8.5W, LED Track, 3000 K, 38° Beam Angle

Zonal Lumen Summary

Zone	Lumens	% Luminaire
0-30	522.9	77.6%
0-40	602.0	89.4%
0-60	654.7	97.2%
60-90	17.5	2.6%
70-100	6.8	1%
90-120	0.2	0%
0-90	672.2	99.8%
90-180	1.2	0.2%
0-180	673.4	100%

