

ATKP03

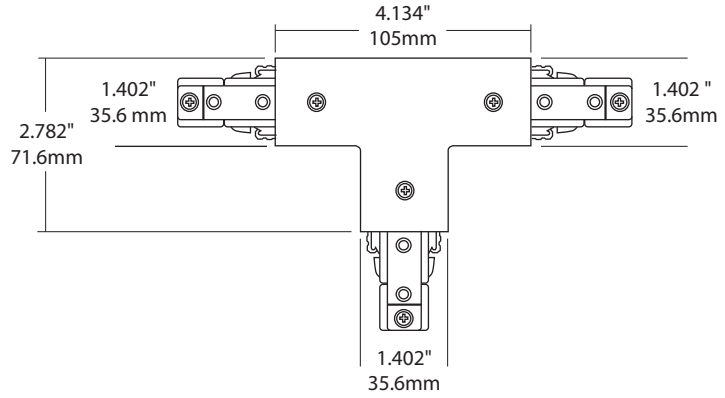
T-Power Feed Connector

Catalog # : _____

Project : _____

Type : _____

Comments : _____



DESCRIPTION

T-Power Feed Connector, connects three track sections at 90° in a T-configuration. It comes with a power feed. Available in two colours: Black and White.

DESIGN FEATURES

• **Features**

- Low profile aesthetic design.
- Solid 12-gauge conductors.
- With power feed.

• **Electrical**

- System Electrical Rating: 20A, 120V, 60Hz.

• **Compatibility**

- Track system is compatible with all Juno® and A-line® Style Track, accessories and connectors.

Ordering Information

* Juno® is a registered trademark of Juno Lighting.
* Halo® is a registered trademark of Cooper Industries, Inc.

Cat. No.	Finish
-- ATKP03	-- -WH : White -BK : Black

Example : ATKP03-WH



Liteline Corporation
8 Abacus Road, Brampton, ON
L6T 5B7

Tel: 416-996-1856
Fax: 905-794-1990

Email: sales@liteline.com
Website: liteline.com