

LED-DVR-24V-24W

24W Class 2 LED Plug-In Driver, 24V
Cabinet, Cove & Display

Job Information		
Project Name		Type
Location		
Quantity		Date
Contact/Phone		
Notes		

Features

Electrical Performance

- Max load 24W (output)
- Open and Short circuit protection
- Over voltage protection
- Current protection: 1.8A
- 24V DC output

AC Input Details

- AC input voltage range: 100-240V
- AC input current: 1.5A
- Input frequency range: 50/60Hz
- Power factor: ≥ 0.5
- No load power consumption: 0.5W
- Leakage current: $< 0.25\text{mA}$
- Efficiency: 80%
- Input cable: 1.5m

DC Output Details

- DC current: 1A
- Working efficiency:
 - * 80% @ 115V AC
 - * 80% @ 230V AC
- Output cable: 1.78m

Environmental Requirements

- Ambient temperature: 0-40°C
- Storage humidity: 5-90% RH

Linkage

- The LED driver is equipped with a DC 2.1 jack and 24 AWG SPT cord on the output side for linking 24V LED products.
- When used with outdoor LED fixtures, the driver must be installed indoors or enclosed in a watertight box.

Compatibility

Compatible with all DazzLED 24 volt LED fixtures. The overall wattage load of the product should not exceed 80% of 24W (19W). Overloading the LED power supply may affect the longevity, overall performance and void the warranty.

SPECIFICATION

Amperage	1A
Application	Undercabinet
Approved Location	Dry
Certification	ULus
Classification	Class II
Colour	BK
Dimming	No
Link Connector	DC 2.1
Max. Op. Temp.	40°C (104°F)
Min. Start Temp.	0°C (32°F)
Power Factor	≥ 0.5
Power Supply Type	Constant Voltage
Plug-in Voltage	100-240V AC
Primary Voltage	24V DC
Warranty	3 Years
Wattage	24W

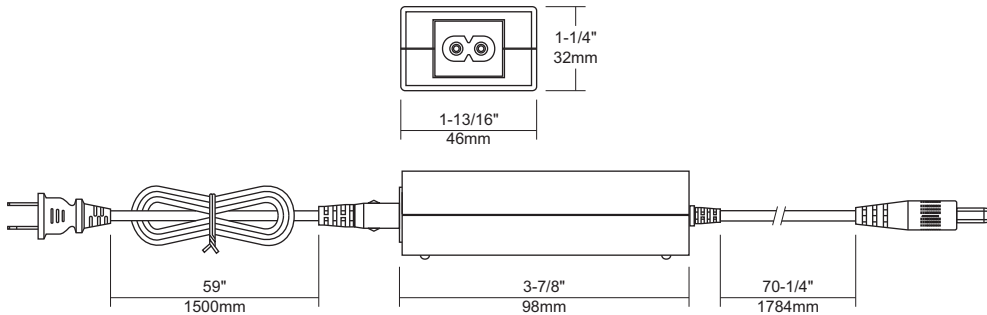


Description

LED-DVR-24V-24W is a class 2, constant voltage, 24V, 24W (max.) LED plug-in driver (power supply) for use with 24V LED fixtures. Driver is suitable for dry location use only.



Notes: Accessories should be ordered separately. For additional options please consult your Liteline representative. Due to our continued efforts to improve our products, product specifications are subject to change without notice.



Ordering Guide



LED-DVR-24V-24W

24W class 2 LED plug-in driver, 24V.