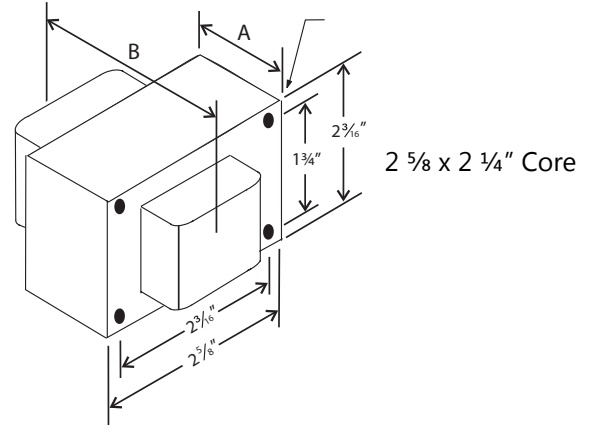


## ORDERING INFORMATION

Order code: 10022  
 Description: BHPS0100/120/C/R/K/STD  
 UPC: 69549100220

## SPECIFICATIONS

Ballast type: Magnetic high pressure sodium  
 Ballast style: Core and coil  
 Circuit type: R-NPF (HPF with capacitor)  
 ANSI code: S54  
 Input voltage (V): 120  
 Input frequency (Hz): 60  
 Line volt regulation:  $\pm 5\%$   
 Line watt regulation: Within trapezoid  
 Insulation class: H (180°)



Input voltage (V)	Operating current (A)	Open circuit current (A)	Starting current (A)	Rated lamp watts (W)	Input watts (W)	OCV (V)	Dropout voltage (V)	UL 1029 code	Fuse rating (A)	Input current (A)	Power factor	Starting temperature
120	2.13	0.00	2.90	100	110	120	95	A	10	2.40 - 0.90	0.45 NPF	-40°F / -40°C
120	0.97	2.11	1.00	100	110	120	95	A	8	0.95 - 1.19	0.90 HPF with cap.	-40°F / -40°C

## HIGH POTENTIAL TEST (V)

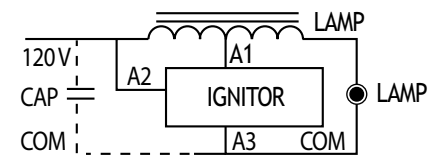
1 minute:	2 000
2 seconds:	2 500
OCV test:	114 - 126
Short circuit:	2.45 - 2.80

## BALLAST DIMENSIONS

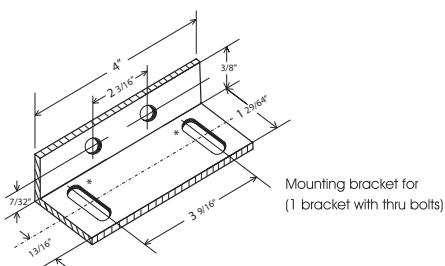
Dimension A:	1.54"
Dimension B:	2.72"
Lead Lengths:	12.00"
Weight (lbs):	2.54

## WIRING DIAGRAM

Ground ballast core

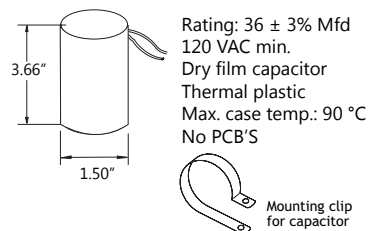


## BRACKET



## CAPACITOR

(Optional)



## IGNITOR

