

Project: _____ Type: _____

Drawn by: _____ Catalogue #: _____ Date: _____

Individual Spec Sheet

MOUNTING PLATE

WITH HANGER BARS

Downlight Accessory

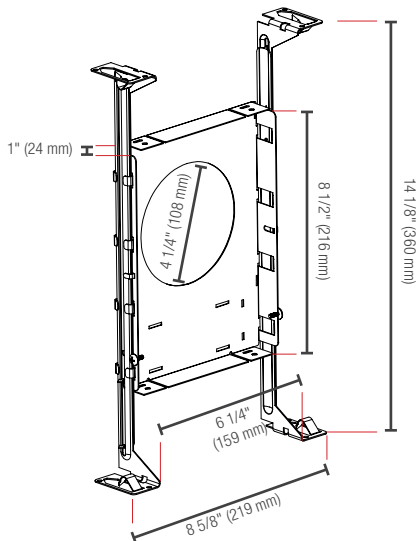
ORDERING INFORMATION

Order code: 62678
Model number: ACC/MPLATE/4.25IN/HANG.BARS/STD
UPC: 069549626782
Case quantity: 20

PHYSICAL DATA

Type: Mounting Plate with Hanger Bars
Material: Galvanized iron
Length In (mm): 8 1/2 (216)
Width In (mm): 6 1/4 (159)
Height In (mm): 1 (24)
Opening diameter In (mm): 4 1/4 (108)

DIMENSIONS



Qty	Description	Price

I accept the specifications of the luminaire configuration mentioned above.

Name: _____

Company: _____

Signature: _____

Date: _____

Data is based upon tests performed in a controlled environment. Actual performance can vary depending on operating conditions.
 All products are subject to change or may be discontinued any time without notice.