

Project: _____ Type: _____

Drawn by: _____ Catalogue #: _____ Date: _____

Individual Spec Sheet

GIMBAL

TRIM

ORDERING INFORMATION

Order code: 65450
Model number: LED/DL/GIMBAL/3IN/TRIM/RND/CURVED/WH/STD
UPC: 069549654501
Case quantity: 96

PHYSICAL DATA

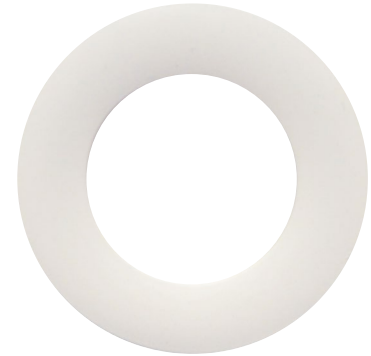
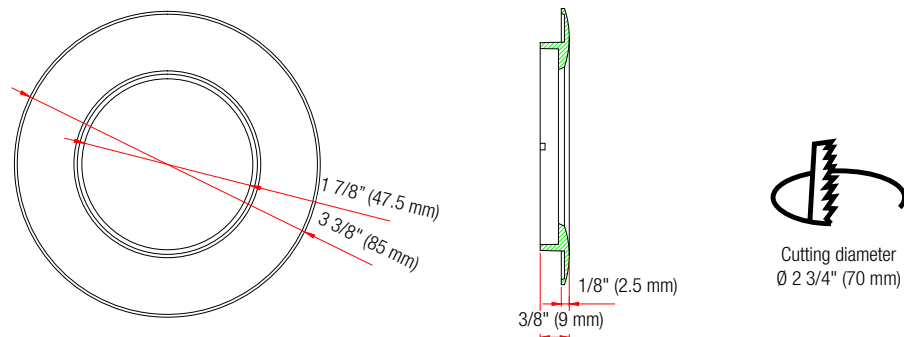
Shape: Round
Type: Curved
Trim material: Diecast aluminum
Colour: White
Aperture: Round
Aperture diameter: 1 7/8" (47.5 mm)
Diameter: 3 3/8" (85 mm)
Installation method: Twist-lock

COMPATIBLE MODULES¹

Order code	Model number
65420	LED/DL/GIMBAL/MOD/7W/30K/WH/STD
65421	LED/DL/GIMBAL/MOD/7W/40K/WH/STD
65981	LED/DL/GIMBAL/MOD/7W/30-22K/WH/STD

¹Gimbal LED Modules are sold separately.

DIMENSIONS



Qty	Description	Price

I accept the specifications of the luminaire configuration mentioned above.

Name: _____
 Company: _____
 Signature: _____

Date: _____

Data is based upon tests performed in a controlled environment. Actual performance can vary depending on operating conditions.
 All products are subject to change or may be discontinued any time without notice.