

Project: _____ Type: _____

Drawn by: _____ Catalogue #: _____ Date: _____

Individual Spec Sheet

ADJUSTABLE MOUNTING PLATE

Downlight Accessory

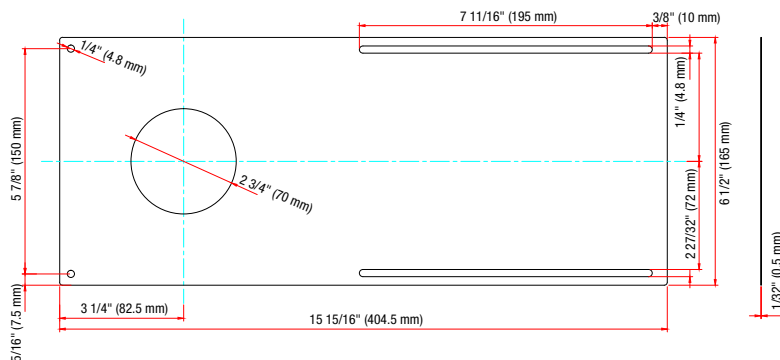
ORDERING INFORMATION

Order code: 66021
Model number: ACC/MPLATE/2.75IN/ADJ/STD
UPC: 069549660212
Case quantity: 24

PHYSICAL DATA

Type: Mounting plate adjustable
Material: Galvanized iron
Length in. (mm): 15 15/16 (404.5)
Width in. (mm): 6 1/2 (165)
Height in. (mm): 1/32 (0.5)
Opening diameter in. (mm): 2 3/4 (70)

DIMENSIONS



1
yr
warranty

Qty	Description	Price

I accept the specifications of the luminaire configuration mentioned above.

Name: _____

Company: _____

Signature: _____

Date: _____

Data is based upon tests performed in a controlled environment. Actual performance can vary depending on operating conditions.
 All products are subject to change or may be discontinued any time without notice.