

# LED WRAP LUMINAIRE INSTALLATION INSTRUCTIONS



## IMPORTANT – READ ALL INSTRUCTIONS BEFORE INSTALLATION

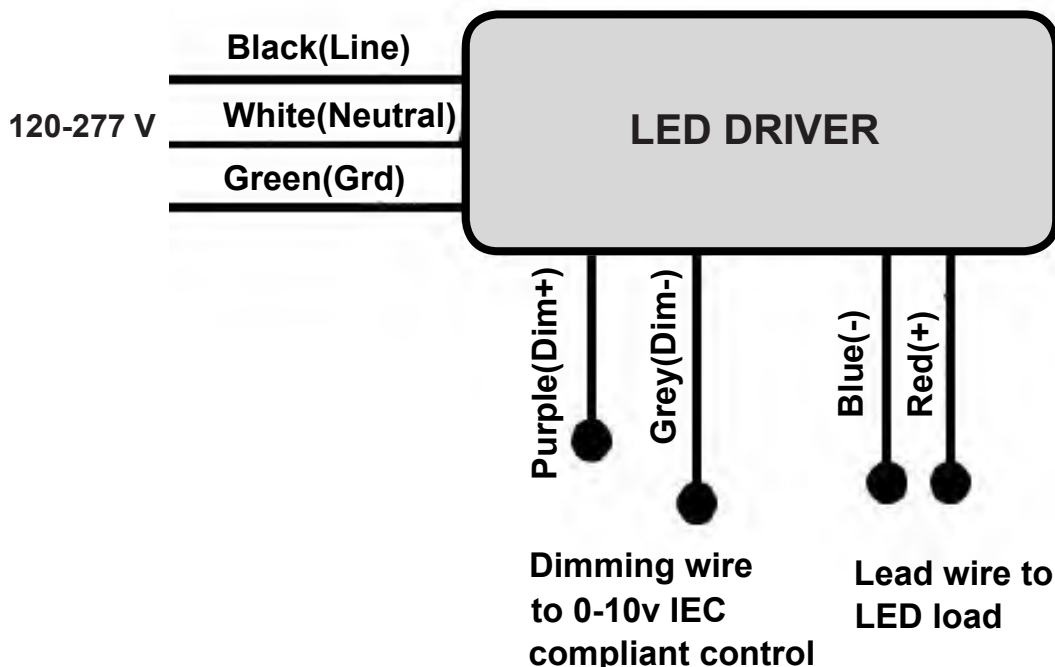
### NOTE: SAVE THESE INSTRUCTIONS FOR FUTURE REFERENCE

- *Installation and maintenance must be performed by licensed electricians only.*
- *To avoid risk of electric shock, make sure to turn off the main power switch prior to installation or maintenance.*
- *Must be installed in compliance with the national electrical code (NEC) in the us or the canadian electrical code in canada.*
- *Ensure the frequency and input voltage are compatible with the fixture.*
- *All wiring connections should be capped with UL approved wire connectors.*

## CAUTION

- Do not look directly into LED luminaire when lit.
- Before installation, inspect luminaire for any exterior damages or other defects.
- Before installation, confirm luminaire is the correct rated voltage for this application.
- During installation, do not damage luminaire with drill or by external impact.
- Do not expose luminaire directly to high heat.
- Beware of shock when installing the luminaire.
- Do not install in areas where flooding may occur.
- Do not clean or expose the luminaire to detergent, chemical cleaners or pesticides.
- Upon completion of installation, ensure the luminaire is tight and secure.
- Turn power off when disassembling.
- Do not exchange components in the luminaire.
- Do not operate the fixture where ambient temperature is over 50 °C / 122 °F or in confined spaces. This is a fire hazard.
- Do not install luminaire in applications where high vibrations or external shock may occur.
- Do not install/operate luminaire in areas where salt content in the air and soil might cause the luminaire to corrode.
- Do not install luminaire in areas where corrosive substances are present.
- Do not install luminaire in areas where organic debris can accumulate on luminaire (example: fallen leaves, insects).
- In the event of product failure resulting from negligence of above-mentioned instructions, limited warranty will not be applicable.

## GENERAL WIRING INSTRUCTIONS



# LED WRAP LUMINAIRE INSTALLATION INSTRUCTIONS

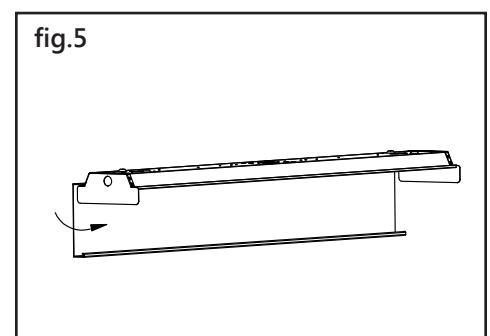
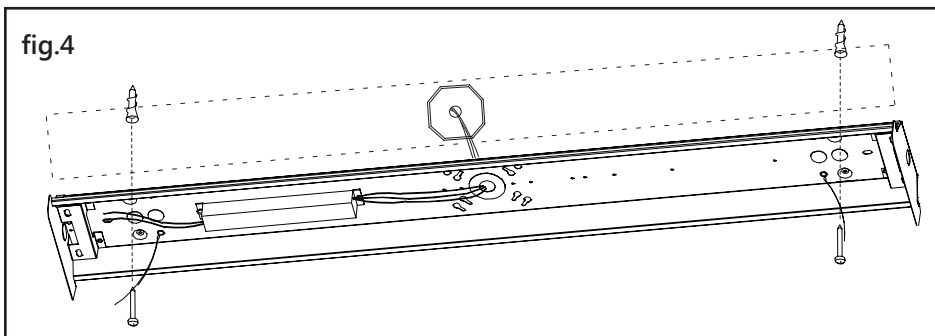
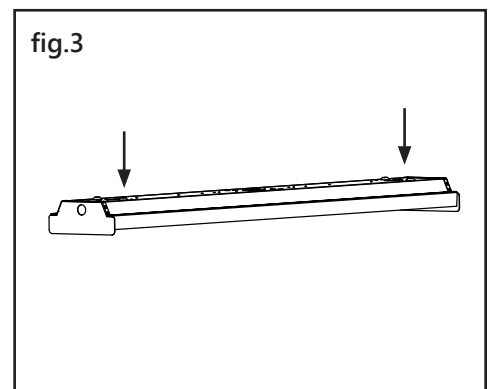
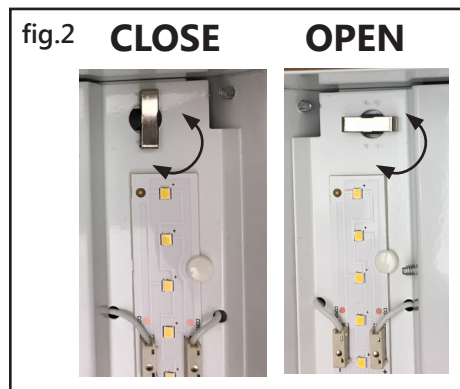
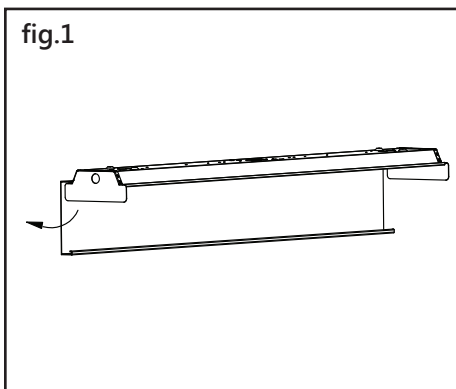


## INSTALLATION:

Turn off the power before proceeding with installation.

### Surface Mounting

1. Carefully remove the lens from the luminaire. (fig.1)
2. Remove the LED driver cover by twisting the four (4) metal pieces located at each end. (fig.2)
3. Drill two holes into ceiling matching the surface mounting holes and insert anchors (**not included**). (fig.3)
4. Align the luminaire with the anchors and insert mounting screws (**not included**) into the anchors. (fig.4)
5. Wire up the electrical connection according to the wiring diagram.
6. Secure LED driver cover back in place and reinstall the lens. (fig.5)



### Junction Box Installation

1. Follow instructions 1 & 2 of the surface mounting installation. (fig.1 and 2)
2. Align the junction box screws to the holes located in the middle of the luminaire. Twist and lock the luminaire.
3. Wire up the electrical connection according to the wiring diagram.
4. Secure the LED driver cover back in place and reinstall the lens. (fig.5)