

# LED WRAP LUMINAIRE INSTALLATION INSTRUCTIONS



## **IMPORTANT - READ ALL INSTRUCTIONS BEFORE INSTALLATION**

### **NOTE: SAVE THESE INSTRUCTIONS FOR FUTURE REFERENCE**

- **Installation and maintenance must be performed by licensed electricians only.**
- **To avoid risk of electric shock, make sure to turn off the main power switch prior to installation or maintenance.**
- **Must be installed in compliance with the National Electrical Code (NEC) in the US or the Canadian Electrical Code in Canada.**
- **Ensure the frequency and input voltage are compatible with the fixture. Check product manual for power requirements prior to installation.**
- **All wiring connections should be capped with UL approved wire connectors.**

### **WARNING: Risk of electric shock. Suitable for damp locations.**

### **WARNING: Risk of fire. Use only on 120-277 volt 50-60Hz circuits.**

- Must be grounded
- Minimum 90 °C supply conductors
- Surface mounted
- This product must be installed in accordance with the applicable installation code by a person familiar with the construction and operation of the product and the hazards involved.
- The outlet box should be covered. This fixture is designed for use in a circuit protected by a fuse or circuit breaker.

## **CAUTION**

- Do not look directly into LED luminaire when lit.
- Before installation, inspect luminaire for any exterior damages or other defects.
- During installation, do not damage luminaire with drill or by external impact.
- Do not expose luminaire directly to high heat.
- Do not install in areas where flooding may occur.
- Do not exchange components in the luminaire.
- Do not operate the fixture where ambient temperature is over 55°C / 131°F or in confined spaces. This is a fire hazard.
- Do not install luminaire in applications where high vibrations or external shock may occur.
- Do not install/operate luminaire in areas where salt content in the air and soil might cause the luminaire to corrode.
- Do not install luminaire in areas where corrosive substances are present.
- Do not install luminaire in areas where organic debris can accumulate on luminaire (example: fallen leaves, insects).
- In the event of product failure resulting from negligence of above-mentioned instructions, limited warranty will not be applicable.

## **MAINTENANCE AND CARE**

1. Clean and maintain the luminaire regularly
2. When cleaning, use a soft cloth with non-abrasive detergent and wipe dry with a clean soft cloth
3. Do not use any cleaners that contain alcohol, harsh chemicals or pesticides
4. When cleaning inside the luminaire, turn off the power, and do not spray liquid cleaner directly on the LEDs, LED driver or wiring.

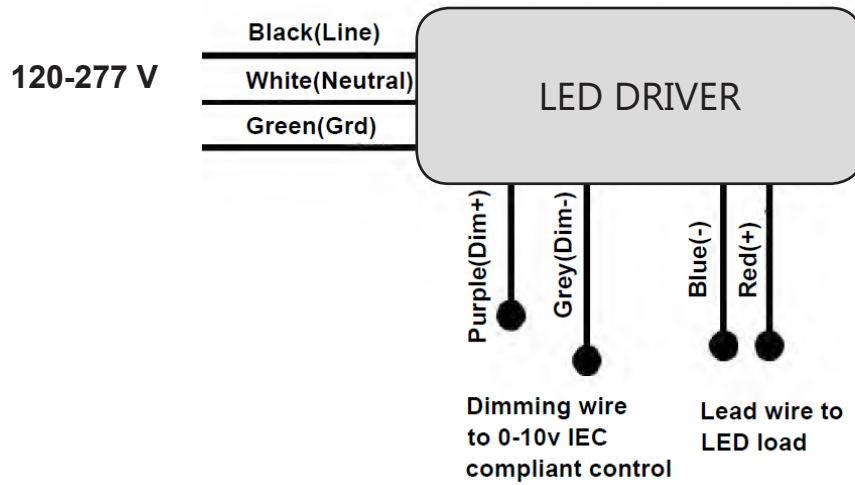
## **How to install (Mounting and electrical)**

1. Read these instructions carefully before attempting to install this product.
2. Disconnect electrical power before installing or servicing any part of this fixture.
3. Place fixture on a clean flat surface.

# LED WRAP LUMINAIRE INSTALLATION INSTRUCTIONS



## GENERAL WIRING DIAGRAM



## INSTALLATION:

**Turn off the power before proceeding to the installation.**

### Surface Mounting

1. Take off the lens by removing the seismic clips on each side. (fig. 1)
2. Remove the driver cover by squeezing the center piece located in the middle and at each end of the luminaire. (fig. 2)
3. Drill two holes into ceiling matching the surface mounting holes and insert anchors (not included). (fig. 3)
4. Align the luminaire with the anchors and insert mounting screws (**not included**) into the anchors. (fig. 3)
5. Wire up the electrical connection according to the wiring diagram.
6. Secure LED driver cover back in place and reinstall the lens.

fig.1

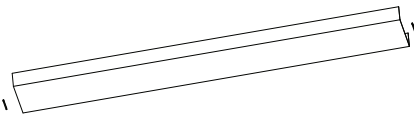


fig.2

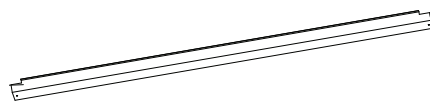
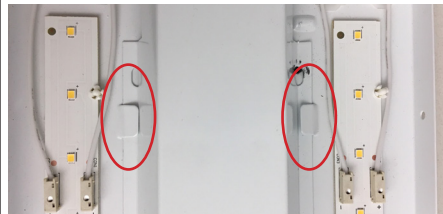


fig.3

