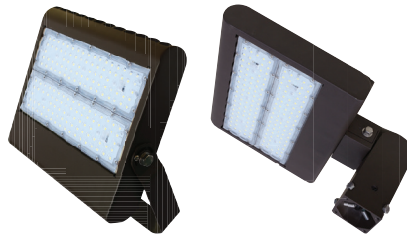


# Installation Instructions

## LED Outdoor Large Flood Light S3

### 100 W to 300 W

---



100-150 W Mounting Options



230 W Mounting Options



300 W Mounting Options

**IMPORTANT: READ ALL INSTRUCTIONS BEFORE THE INSTALLATION.**

#### **CAUTION**

An internal power-factor-corrected switch-made supply allows this luminaire to be used from any nominal 100-277 V & 277-480 V, 50/60 Hz AC supply without any variation in light output.

**NOTE: SAVE THESE INSTRUCTIONS FOR FUTURE REFERENCE.**

#### **WARNING**

Risk of fire or electric shock. The installation should be performed only by a qualified electrician in accordance with the National Electrical Code and relevant local codes. This product must be installed in full accordance with applicable electrical and building codes. This fixture is for outdoor use and should not be used in areas with limited ventilation or high ambient temperatures.

#### **WARNING - TO AVOID ELECTRIC SHOCK**

- Be certain electrical power is OFF before and during installation and maintenance.
- Luminaire must be connected to a wiring system with an equipment-grounding conductor.

#### **WARNING - TO AVOID EXPLOSION**

- Make sure the supply voltage is the same as the rated luminaire voltage.
- Do not install where marked operating temperatures exceed the ignition temperature of the hazardous atmosphere.
- Do not operate in ambient temperatures above those indicated on the luminaire.
- Keep lens tightly closed when in operation.
- For supply connections use wire rated for at least 90°C.

# Installation Instructions

## LED Outdoor Large Flood Light S3

### 100 W to 300 W



FIG. 1

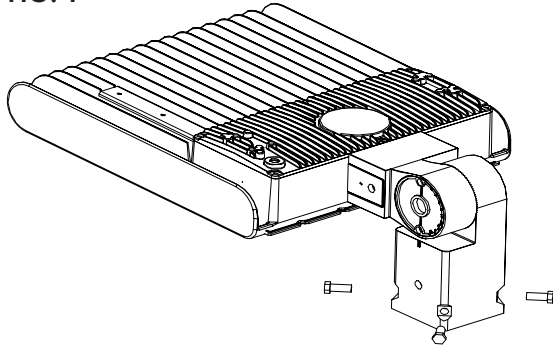
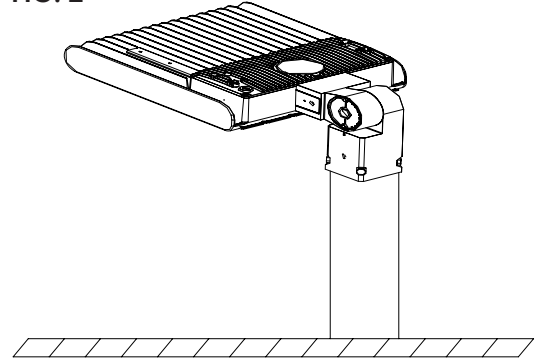


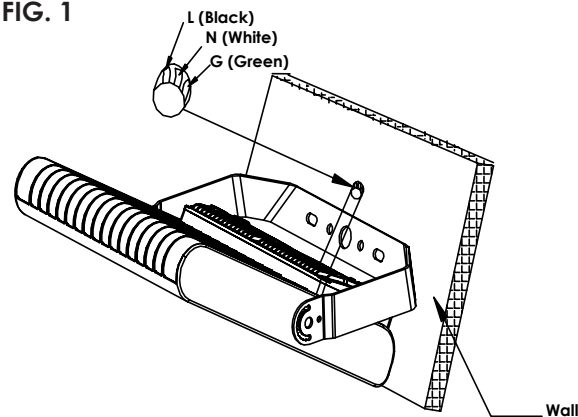
FIG. 2



#### SLIP FITTER MOUNT (100-277 VAC & 277-480 VAC)

1. Adjust the fixture orientation by turning the bolt (FIG. 1).
2. Using a post with a diameter 2.36", mount and tighten with screws (FIG. 2).
3. Connect wires into wiring terminal; white wire to "neutral" terminal, black wire to "live" terminal, green wire to "ground" terminal; and fix them with wire nuts. Ground must be properly attached to avoid the risk of electrical shock. Make sure connections are secure and that no loose wire strands are sticking out of connectors. Secure wiring compartment cover to the fixture. Use cULus listed weather-proof outlet box cover

FIG. 1



#### YOKE MOUNT (100-277 VAC & 277-480 VAC)

1. Use expansion bolts to secure the fixture on mounting surface.
2. Keep enough length wires to ensure adjusting angle unhindered.
3. Connect wires into wiring terminal; white wire to "neutral" terminal, black wire to "live" terminal, green wire to "ground" terminal; and fix them with wire nuts. Ground must be properly attached to avoid the risk of electrical shock. Make sure connections are secure and that no loose wire strands are sticking out of connectors. Secure wiring compartment cover to the fixture. Use cULus listed weather-proof outlet box cover