

Project: _____ Type: _____

Drawn by: _____ Catalogue #: _____ Date: _____

Individual Spec Sheet

PFL

LED MINI BATTERY POWERED FLOOD LIGHT

USB Outlet for Smartphone Charging

Pre-Set Light Intensities

SOS Mode (Red/Blue Flashing Light)

ORDERING INFORMATION

Order code: 67023
Model number: MFL/BTRY/MGN/100-240/10W/CW/BL/STD
UPC: 069549670235
Case quantity: 50

PHYSICAL DATA

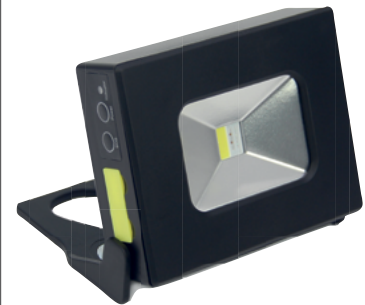
Housing color: Black
Housing material: Aluminum

PERFORMANCE DATA

Watts (W): 10
Volts (V AC): 100-240
Color temperature (K)¹: Cool White
Lumen output (lm)²: 450
Efficacy (lm/W): 55
CRI: 70
Battery working time (h):
Energy saving mode: 4
100% Brightness: 2
Battery charging time (h): 3
Beam angle (°): 120
Amperage (A): 2.0
Battery specifications: 3.7 V 2.0 AH
Operating temp. range: -10°C to 40°C (14°F to 104°F)
Dimming: Pre-set light intensities

¹ Typical color temperature range: +/- 5 %.

² Lumen values are derived from photometric testing. Initial lumens range: +/- 10 %.



1
yr
warranty



**quick
ship**



**LED
fixture**

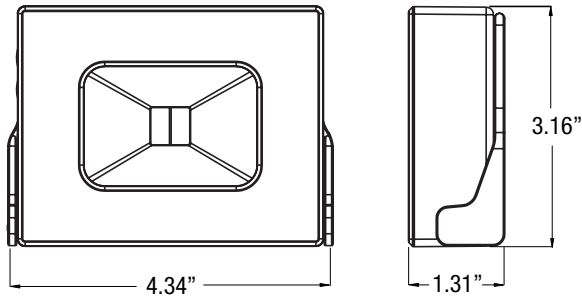


**dimmable
fixture**



**dry
location**

DIMENSIONS AND WEIGHT



Net weight (lbs)	0.44
------------------	------

Qty	Description	Price

I accept the specifications of the luminaire configuration mentioned above.

Name: _____

Company: _____

Signature: _____

Date: _____

Data is based upon tests performed in a controlled environment. Actual performance can vary depending on operating conditions. All products are subject to change or may be discontinued any time without notice. Please contact your Stanpro customer service representative to confirm inventory levels at time of order.