

Project: _____

Type: _____

Drawn by: _____ Catalogue #: _____

Date: _____

Individual Spec Sheet

LOW VOLTAGE LED PUCK LIGHTS

LED UNDERCABINET LUMINAIRE

12 V

ORDERING INFORMATION

Order code: 67173
Model number: UCP/KIT3/12V/2.2W/30K/FR/BLK/STD
UPC: 069549671737
Case quantity: 30

PHYSICAL DATA

Type: LED Puck Light - kit of 3 units
Size (in): 3"
Shape: Round
Finish: Black
Lens finish: Frosted
Mounting: Surface and Recessed
Wire length (ft): 4
Wire gauge (AWG): 24
Daisy chain installation: Up to 10 pucks can be installed in daisy chain

PERFORMANCE DATA

Watts (W): 2.2
Volts (V DC): 12
Color temp. (K): 3 000
Lumen output (lm): 150
Lumen per Watts (lm/W): 68
CRI: 90
Life L70 (h): 50 000
Beam angle (°): 120
Operating temp. range: -20°C to 40°C (-4°F to 104°F)

¹ Typical color temperature range: +/- 5 %.

² Lumen values are derived from photometric testing. Initial lumens range: +/- 10 %.

³ Life hours are derived from IESNA LM80-08 testing report and projected per IESNA TM-21-11 extrapolations.

INCLUDED IN THE BOX

Quantity	Description
3	LED Puck lights
1	12V Plug in driver
1	HUB for 6 LED Puck lights

COMPATIBLE DRIVERS

Order code	Description
67184 ¹	LED/DRIVER/12W/12V/PLUG/ND/STD
62265	LED/TAPE/36W/12V/WW+CW/PS/ND/STD
65743	LED/DRIVER/10W/12V/HW/ND/STD
65744	LED/DRIVER/20W/12V/HW/ND/STD
65740	LED/DRIVER/50W/12V/HW/D/STD
65745	LED/DRIVER/60W/12V/HW/ND/NS/STD
65746	LED/DRIVER/60W/12V/HW/ND/STD

¹Included in the kits of 3 units.

Additional connector is needed to allow puck connection to hardwire driver.

COMPATIBLE DIMMERS

Order code	Description
67185	UCP/ACC/DIMMER/STD

NOTE: The above table shows dimmers that have been tested and have demonstrated proper operation under normal conditions. Each installation being unique, various factors such as load, common neutrals or other electrical products on the circuit can, in certain instances, cause variance in system performance. Read and comply to the dimmer installation instructions. Consult dimming system manufacturer for additional support in operation. Stanpro recommends to use dimmers designed to work with LED products. Older dimmers designed for incandescent products may cause erratic operation. Some dimmers may require more than one product for stable operation. The maximum number of products is determined by the dimmer wattage rating with LEDs. Be careful, these dimmers have different ratings depending on the product type. Again, refer to the dimmer installation instructions.



3
yrs
warranty



quick
ship



LED
fixture



dimnable



damp
location



ICES
005



This lighting equipment complies with Canadian standard ICES-005 for use in residential applications.

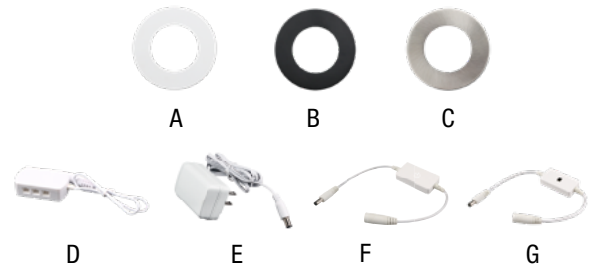
Data is based upon tests performed in a controlled environment.

Actual performance can vary depending on operating conditions. Specifications are subject to change without notice.

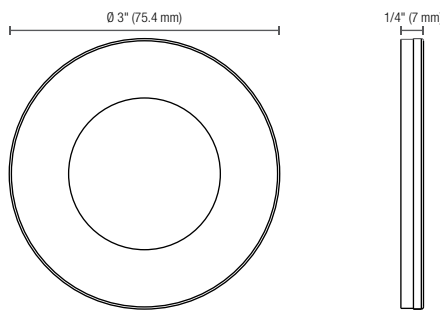
ACCESSORIES (TO ORDER SEPARATELY)

Order code	Description	Type	Figure	Case qty (inner/master)
67180	UCP/TRIM/BACKPLATE/WH/STD	White Trim and Backplate	A	50 / 200
67181	UCP/TRIM/BACKPLATE/BLK/STD	Black Trim and Backplate	B	50 / 200
67182	UCP/TRIM/BACKPLATE/BN/STD	Brushed nickel Trim and Backplate	C	50 / 200
67183 ¹	UCP/ACC/HUB6/STD	Hub for 6 LED Puck Lights	D	30 / 120
67184	LED/DRIVER/12W/12V/PLUG/ND/STD	Plug-in driver	E	- / 80
67185	UCP/ACC/DIMMER/STD	Dimmer switch	F	30 / 120
67186	UCP/ACC/MOTIONSENSOR/STD	Motion Sensor	G	30 / 120

¹Included in the kits of 3 units.



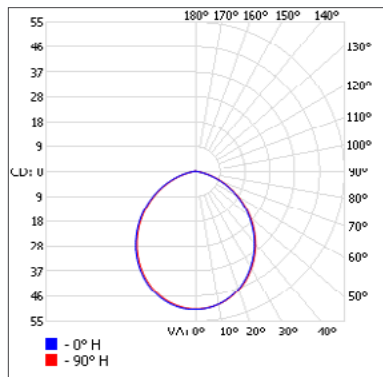
DIMENSIONS



PHOTOMETRIC DATA²

67173 • UCP/KIT3/12V/2.2W/30K/FR/BLK/STD • 122.9 lm

Polar candela distribution



Zonal lumen summary

Zone	Lumens	% Fixture
0-30	38.5	31.3%
0-40	62.0	50.4%
0-60	104.8	85.3%
60-90	18.1	14.7%
70-100	5.0	4.1%
90-120	0	0%
0-90	122.9	100%
90-180	0	0%
0-180	122.9	100%

Illuminance at a distance

Center beam fc	Beam width
1.7'	17.5 fc
3.3'	4.66 fc
5.0'	2.03 fc
6.7'	1.13 fc
8.3'	0.74 fc
10.0'	0.51 fc

Beam width	Beam width
4.2'	4.2'
8.1'	8.1'
12.3'	12.3'
16.5'	16.5'
20.5'	20.4'
24.7'	24.6'

■ Vert. spread: 101.9°
■ Horiz. spread: 101.8°

² Complete IES files available on our website.

Qty	Description	Price

I accept the specifications of the luminaire configuration mentioned above.

Name: _____
 Company: _____
 Signature: _____

Date: _____

Data is based upon tests performed in a controlled environment. Actual performance can vary depending on operating conditions. All products are subject to change or may be discontinued any time without notice.