

Project: \_\_\_\_\_ Type: \_\_\_\_\_

Drawn by: \_\_\_\_\_ Catalogue #: \_\_\_\_\_ Date: \_\_\_\_\_

## Individual Spec Sheet

# PFL

## LED AC FLOOD LIGHT

### ORDERING INFORMATION

**Order code:** 67336  
**Model number:** PFL/AC/30W/CW/ND/YL/STD  
**UPC:** 069549673366  
**Case quantity:** 8

### PHYSICAL DATA

**Housing color:** Yellow  
**Housing material:** Aluminum  
**Power cord length (ft):** 5  
**Wire gauge (AWG):** 18

### PERFORMANCE DATA

**Watts (W):** 30  
**Volts (V AC):** 120  
**Color temperature (K)<sup>1</sup>:** Cool White  
**Lumen output (lm)<sup>2</sup>:** 3 200  
**Efficacy (lm/W):** 107  
**CRI:** 70  
**Life L70 (h):** 25 000  
**Beam angle (°):** 120  
**Amperage (A):** 0.27  
**Operating temp. range:** -20°C to 50°C (-4°F to 122°F)

<sup>1</sup> Typical color temperature range: +/- 5 %.

<sup>2</sup> Lumen values are derived from photometric testing. Initial lumens range: +/- 10 %.

### ACCESSORIES (order separately)

Order code	Type
67025	Tripod
67338	Magnetic feet (Pack of 4)



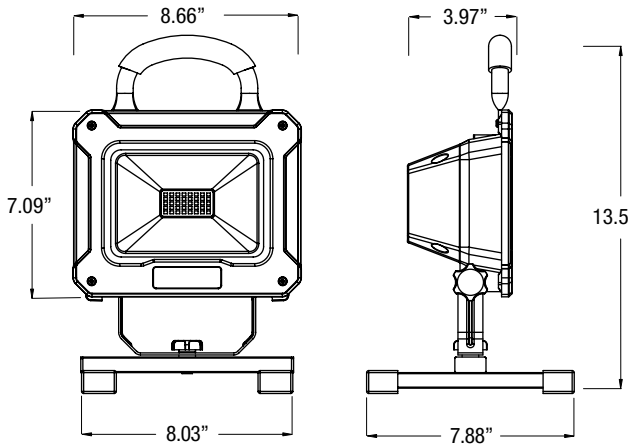
**3**<sup>yrs</sup>  
**warranty**

  
**LED  
fixture**

**66**  
**wet  
location**

  
**IP  
65**

**DIMENSIONS AND WEIGHT**

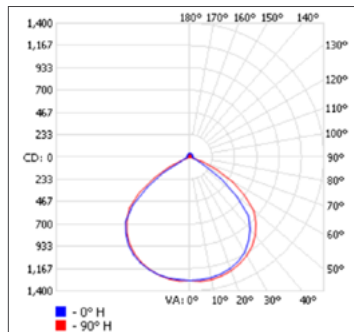


Net weight (lbs)	4.00
------------------	------

**PHOTOMETRIC DATA<sup>1</sup>**

67336 • PFL/AC/50W/CW/ND/YL/STD • 5 315.4 lm

**Polar candela distribution**



**Zonal lumen summary**

Zone	Lumens	% Fixture
0-30	1 040.7	29.7
0-40	1 734.9	49.5
0-60	3 019.7	86.1
60-90	321.3	9.2
70-100	101.2	2.9
90-120	70.8	2
0-90	3 341.0	95.2
90-180	166.9	4.8
0-180	3 508.0	100

**Illuminance at a distance**

	Center beam fc	Beam width
17'	4.46	42.9' 49.6'
34'	1.12	85.9' 99.2'
51'	0.50	128.8' 148.8'
68'	0.28	171.7' 198.4'
85'	0.18	214.6' 248.0'
102'	0.12	257.6' 297.6'

■ Vert. spread: 103.2° ■ Hor. spread: 111.1°

<sup>1</sup> Complete IES files available on our website.

Qty	Description	Price

I accept the specifications of the luminaire configuration mentioned above.

Name: \_\_\_\_\_  
 Company: \_\_\_\_\_  
 Signature: \_\_\_\_\_

Date: \_\_\_\_\_

Data is based upon tests performed in a controlled environment. Actual performance can vary depending on operating conditions. All products are subject to change or may be discontinued any time without notice. Please contact your Stanpro customer service representative to confirm inventory levels at time of order.