

Project: _____ Type: _____

Drawn by: _____ Catalogue #: _____ Date: _____

Individual Spec Sheet

PFL

LED AC FLOOD LIGHT

ORDERING INFORMATION

Order code: 67337
Model number: PFL/AC/50W/CW/ND/YL/STD
UPC: 069549673373
Case quantity: 8

PHYSICAL DATA

Housing color: Yellow
Housing material: Aluminum
Power cord length (ft): 5
Wire gauge (AWG): 18

PERFORMANCE DATA

Watts (W): 50
Volts (V AC): 120
Color temperature (K)¹: Cool White
Lumen output (lm)²: 5 100
Efficacy (lm/W): 102
CRI: 70
Life L70 (h): 25 000
Beam angle (°): 120
Amperage (A): 0.46
Operating temp. range: -20°C to 50°C (-4°F to 122°F)

¹ Typical color temperature range: +/- 5 %.

² Lumen values are derived from photometric testing. Initial lumens range: +/- 10 %.

ACCESSORIES (order separately)

Order code	Type
67025	Tripod
67338	Magnetic feet (Pack of 4)



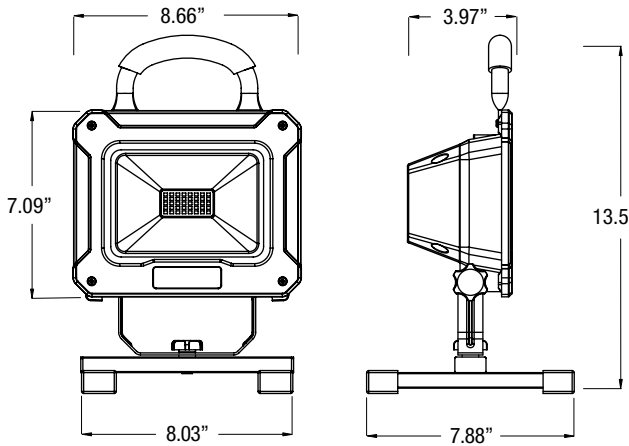
3^{yrs}
warranty


**LED
fixture**

66
**wet
location**


**IP
65**

DIMENSIONS AND WEIGHT

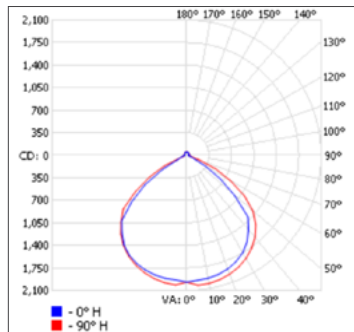


Net weight (lbs)	4.20
------------------	------

PHOTOMETRIC DATA¹

67337 • PFL/AC/50W/CW/ND/YL/STD • 5 315.4 lm

Polar candela distribution



Zonal lumen summary

Zone	Lumens	% Fixture
0-30	1 584.6	29.8
0-40	2 644.3	49.7
0-60	4 596.9	86.5
60-90	479.6	9
70-100	147.2	2.8
90-120	103.3	1.9
0-90	5 076.6	95.5
90-180	238.8	4.5
0-180	5 315.4	100

Illuminance at a distance

	Center beam fc	Beam width
17'	6.81	42.0' 49.2'
34'	1.70	84.1' 98.4'
51'	0.76	126.1' 147.6'
68'	0.43	168.1' 196.8'
85'	0.27	210.2' 246.0'
102'	16.6	252.2' 295.2'

■ Vert. spread: 102.1° ■ Hor. spread: 110.7°

¹ Complete IES files available on our website.

Qty	Description	Price

I accept the specifications of the luminaire configuration mentioned above.

Name: _____
 Company: _____
 Signature: _____

Date: _____

Data is based upon tests performed in a controlled environment. Actual performance can vary depending on operating conditions. All products are subject to change or may be discontinued any time without notice. Please contact your Stanpro customer service representative to confirm inventory levels at time of order.