

Individual Spec Sheet

GIMBAL HIGH OUTPUT LED GIMBAL DOWNLIGHT 3.5"

ORDERING INFORMATION

Order code: 67810
Model number: DL/GIMBAL/RND/12W/30K/BN/STD
UPC: 069549678101
Case quantity: 24

PHYSICAL DATA

Dimensions in. (mm): 3.5 (88.9)
Shape: Round
Finish: Brushed Nickel
Lens type: Clear Polycarbonate

PERFORMANCE DATA

Watts (W): 12
Volts (VAC): 120
Colour temperature (K)¹: 3 000
Lumen output (lm)²: 920
Lumen per Watts (lm/W): 77
CRI: 90+
Life L70 (h)³: 50 000
Beam angle (°): 40
Environment: Wet location
THD (%): <20%
Power factor: >0.9
Frequency (Hz): 60
Operating temp. range: - 20 °C / - 4 °F to 45 °C / 113 °F
Cable rating: FT6
Dimmable: Yes

¹ Typical colour temperature range: +/- 5 %

² Lumen values are derived from photometric testing. Initial lumens range: +/- 10 %

³ Life hours are derived from IESNA LM80-08 testing report and projected per IESNA TM-21-11 extrapolations

COMPATIBLE ACCESSORIES (order separately)

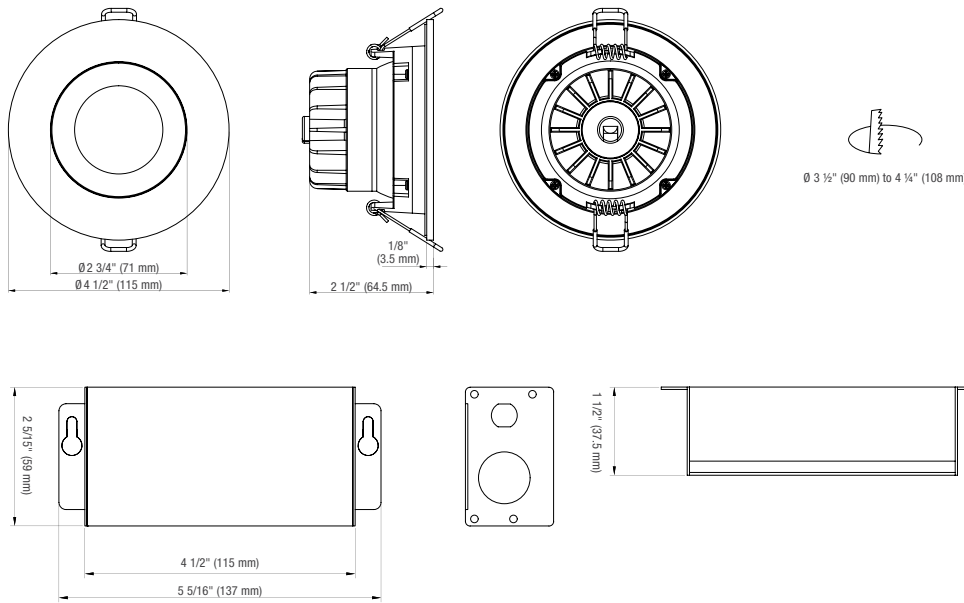
Order code	Model number	Type
66049	ACC/MPLATE/3.625IN/SQR/STD	Square mounting plate
66056	ACC/MPLATE/3.625IN/ADJ/STD	Adjustable mounting plate
66142	ACC/3/VAPOR BARRIER/STD	Vapor barrier extender
66820	ACC/MPLATE/3.625IN/HANG.BARS/STD	Mounting plate with hanger bars
66964 ¹	LPDL/ACC/6FT/EXTCABLE/FT6/STD	6' FT6 Extension cord

¹ Up to 10 FT6 extension cords can be connected together.



This lighting equipment complies with Canadian standard ICES-005 for use in residential applications.
 Data is based upon tests performed in a controlled environment.
 Actual performance can vary depending on operating conditions. Specifications are subject to change without notice.
 Lumens values from Energy Star reported data

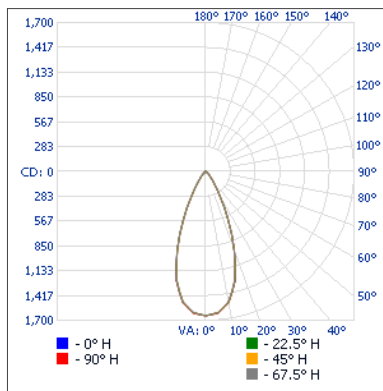
DIMENSIONS



PHOTOMETRIC DATA¹

67810 • DL/GIMBAL/RND/12W/30K/BN/STD • 966.6 lm

Polar candela distribution



Zonal lumen summary

Zone	Lumens	% Fixture
0-30	777.5	80.4%
0-40	894.2	92.5%
0-60	955.5	98.9%
60-90	11.1	1.1%
70-100	3.5	0.4%
90-120	0	0%
0-90	966.6	100%
90-180	0	0%
0-180	966.6	100%

Illuminance at a distance

Center beam fc	Beam width
1.7'	1.4' 1.4'
3.3'	2.7' 2.6'
5.0'	4.0' 4.0'
6.7'	5.4' 5.4'
8.3'	6.7' 6.7'
10.0'	8.0' 8.0'

Vert. spread: 43.8°
Horiz. spread: 43.7°

¹ Complete IES files available on our website.

Qty	Description	Price

I accept the specifications of the luminaire configuration mentioned above.

Name: _____
 Company: _____
 Signature: _____

Date: _____

Data is based upon tests performed in a controlled environment. Actual performance can vary depending on operating conditions. All products are subject to change or may be discontinued any time without notice.