

Individual Spec Sheet

GIMBAL HIGH OUTPUT LED GIMBAL DOWNLIGHT 3.5"

ORDERING INFORMATION

Order code: 67812
Model number: DL/GIMBAL/RND/12W/40K/WH/STD
UPC: 069549678125
Case quantity: 24

PHYSICAL DATA

Dimensions in. (mm): 3.5 (88.9)
Shape: Round
Finish: White
Lens type: Clear Polycarbonate

PERFORMANCE DATA

Watts (W): 12
Volts (VAC): 120
Colour temperature (K)¹: 4 000
Lumen output (lm)²: 950
Lumen per Watts (lm/W): 79
CRI: 90+
Life L70 (h)³: 50 000
Beam angle (°): 40
Environment: Wet location
THD (%): <20%
Power factor: >0.9
Frequency (Hz): 60
Operating temp. range: - 20 °C / - 4 °F to 45 °C / 113 °F
Cable rating: FT6
Dimmable: Yes

¹ Typical colour temperature range: +/- 5 %

² Lumen values are derived from photometric testing. Initial lumens range: +/- 10 %

³ Life hours are derived from IESNA LM80-08 testing report and projected per IESNA TM-21-11 extrapolations

COMPATIBLE ACCESSORIES (order separately)

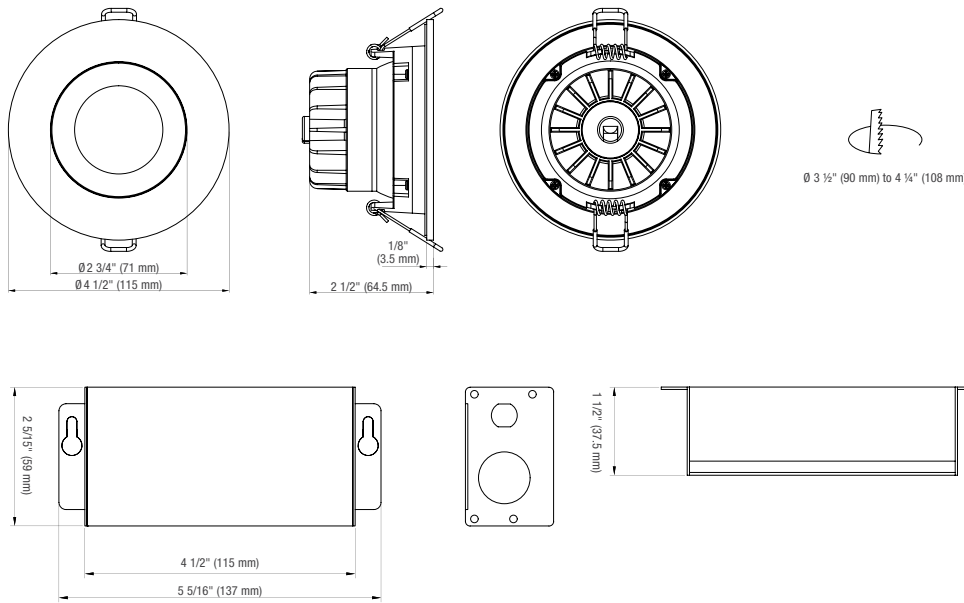
Order code	Model number	Type
66049	ACC/MPLATE/3.625IN/SQR/STD	Square mounting plate
66056	ACC/MPLATE/3.625IN/ADJ/STD	Adjustable mounting plate
66142	ACC/3/VAPOR BARRIER/STD	Vapor barrier extender
66820	ACC/MPLATE/3.625IN/HANG.BARS/STD	Mounting plate with hanger bars
66964 ¹	LPDL/ACC/6FT/EXTCABLE/FT6/STD	6' FT6 Extension cord

¹ Up to 10 FT6 extension cords can be connected together.



This lighting equipment complies with Canadian standard ICES-005 for use in residential applications. Data is based upon tests performed in a controlled environment. Actual performance can vary depending on operating conditions. Specifications are subject to change without notice. Lumens values from Energy Star reported data

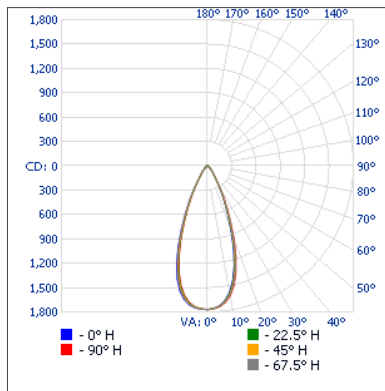
DIMENSIONS



PHOTOMETRIC DATA¹

67812 • DL/GIMBAL/RND/12W/40K/WH/STD • 985.5 lm

Polar candela distribution



Zonal lumen summary

Zone	Lumens	% Fixture
0-30	796.1	80.8%
0-40	903.3	91.7%
0-60	972.3	98.7%
60-90	13.2	1.3%
0-90	985.5	100%

Illuminance at a distance

Center beam fc		Beam width	
1.7'	612	1.3'	1.3'
3.3'	162	2.5'	2.5'
5.0'	70.8	3.8'	3.8'
6.7'	39.4	5.1'	5.1'
8.3'	25.7	6.3'	6.3'
10.0'	17.7	7.6'	7.6'

■ Vert. spread: 41.7°
■ Horiz. spread: 41.8°

¹ Complete IES files available on our website.

Qty	Description	Price

I accept the specifications of the luminaire configuration mentioned above.

Name: _____

Company: _____

Signature: _____

Date: _____

Data is based upon tests performed in a controlled environment. Actual performance can vary depending on operating conditions. All products are subject to change or may be discontinued any time without notice.