

Individual Spec Sheet

GIMBAL HIGH OUTPUT LED GIMBAL DOWNLIGHT 3.5"

ORDERING INFORMATION

Order code: 67813
Model number: DL/GIMBAL/RND/12W/30-22K/WH/STD
UPC: 069549678132
Case quantity: 24

PHYSICAL DATA

Dimensions in. (mm): 3.5 (88.9)
Shape: Round
Finish: White
Lens type: Clear Polycarbonate

PERFORMANCE DATA

Watts (W): 12
Volts (VAC): 120
Colour temperature (K)¹: 3 000-2 200
Lumen output (lm)²: 660
Lumen per Watts (lm/W): 55
CRI: 90+
Life L70 (h)³: 50 000
Beam angle (°): 40
Environment: Wet location
THD (%): <20%
Power factor: >0.9
Frequency (Hz): 60
Operating temp. range: - 20 °C / - 4 °F to 45 °C / 113 °F
Cable rating: FT6
Dimmable: Yes

¹ Typical colour temperature range: +/- 5 %

² Lumen values are derived from photometric testing. Initial lumens range: +/- 10 %

³ Life hours are derived from IESNA LM80-08 testing report and projected per IESNA TM-21-11 extrapolations

COMPATIBLE ACCESSORIES (order separately)

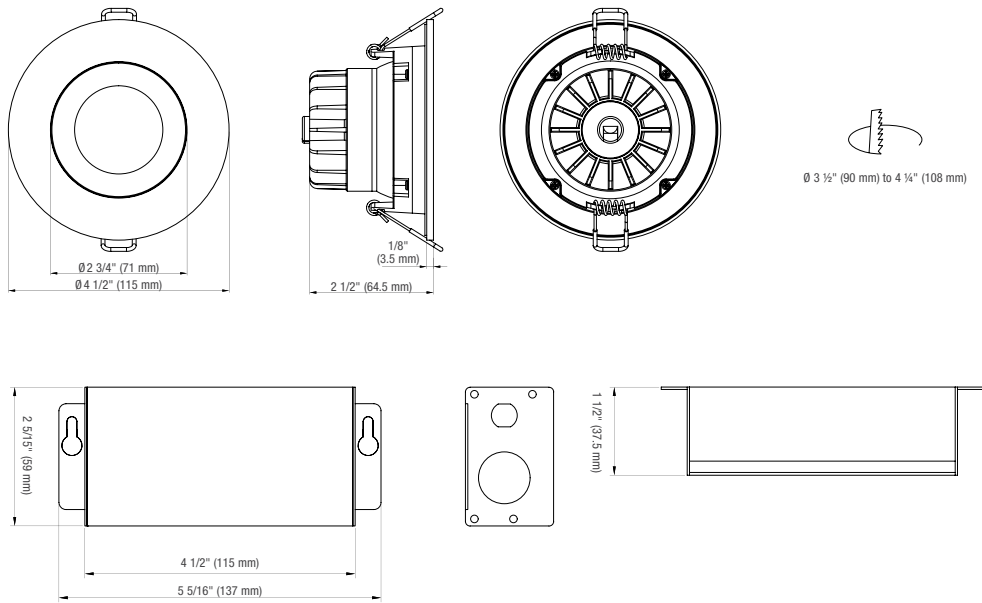
Order code	Model number	Type
66049	ACC/MPLATE/3.625IN/SQR/STD	Square mounting plate
66056	ACC/MPLATE/3.625IN/ADJ/STD	Adjustable mounting plate
66142	ACC/3/VAPOR BARRIER/STD	Vapor barrier extender
66820	ACC/MPLATE/3.625IN/HANG.BARS/STD	Mounting plate with hanger bars
66964 ¹	LPDL/ACC/6FT/EXTCABLE/FT6/STD	6' FT6 Extension cord

¹ Up to 10 FT6 extension cords can be connected together.



This lighting equipment complies with Canadian standard ICES-005 for use in residential applications. Data is based upon tests performed in a controlled environment. Actual performance can vary depending on operating conditions. Specifications are subject to change without notice. Lumens values from Energy Star reported data

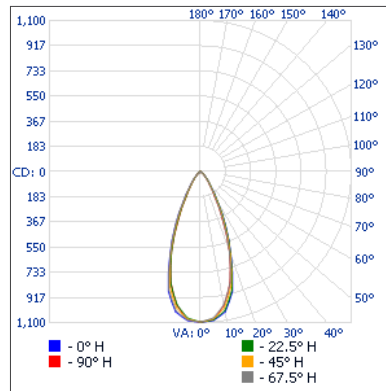
DIMENSIONS



PHOTOMETRIC DATA¹

67813 • DL/GIMBAL/RND/12W/30-22K/WH/STD • 672.9 lm

Polar candela distribution



Zonal lumen summary

Zone	Lumens	% Fixture
0-30	521.2	77.4%
0-40	608.0	90.3%
0-60	661.9	98.4%
60-90	11.1	1.6%
70-100	3.2	0.5%
90-120	0	0%
0-90	672.9	100%
90-180	0	0%
0-180	672.9	100%

Illuminance at a distance

Center beam fc		Beam width	
1.7'	379	1.4'	1.3'
3.3'	101	2.7'	2.6'
5.0'	43.8	4.1'	3.9'
6.7'	24.4	5.5'	5.3'
8.3'	15.9	6.8'	6.5'
10.0'	10.9	8.2'	7.9'

Vert. spread: 44.7°
 Horiz. spread: 42.9°

¹ Complete IES files available on our website.

Qty	Description	Price

I accept the specifications of the luminaire configuration mentioned above.

Name: _____
 Company: _____
 Signature: _____

Date: _____

Data is based upon tests performed in a controlled environment. Actual performance can vary depending on operating conditions. All products are subject to change or may be discontinued any time without notice.