

Project: _____ Type: _____

Drawn by: _____ Catalogue #: _____ Date: _____

Individual Spec Sheet

UNIVERSAL COMMERCIAL-CDU

ALL-IN-ONE LED DOWNLIGHT

4"

ORDERING INFORMATION

Order code: 67934
Model number: CDU4R-PS4Q/3CWH
UPC: 069549679344
Case quantity: 8

PHYSICAL DATA

Size in. (mm): 5 3/4 (145)
Shape: Round
Finish: White
Lens type: Frosted

PERFORMANCE DATA

Watts (W): 6 / 9 / 12 / 15
Volts (VAC): 120-347
Colour temperature (K)¹: 3 000 / 3 500 / 4 000
Lumen output (lm)²: 500 / 750 / 1 000 / 1 200
Lumen per Watts (lm/W): 83
CRI: 90+
Life L70 (h)³: 54 000
Beam angle (°): 75
Environment: Wet location
THD (%): <20
Power factor: >0.9
Frequency (Hz): 50/60
Operating temp. range: - 25 °C / - 4 °F to 40 °C / 104 °F
Dimmable: No

¹ Typical colour temperature range: +/- 5 %

² Lumen values are derived from photometric testing. Initial lumens range: +/- 10 %

³ Life hours are derived from IESNA LM80-08 testing report and projected per IESNA TM-21-11 extrapolations

COMPATIBLE ACCESSORIES ¹

Order code	Model number	Type	Inner diameter (in)	Outer diameter (in)
62772 ²	ACC/MPLATE/4.75IN/HANG.BARS/STD	Mounting plate with hanger bars	4 3/4	N/A
68614	GOOF RING-4.75IN	Goof Ring	4 7/8	7 1/2

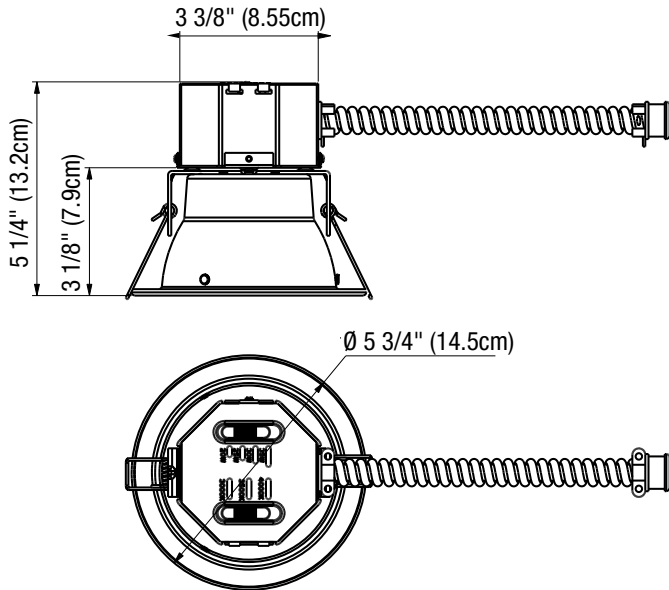
¹ For more information, please consult individual specification sheet.

² Junction box not included



This lighting equipment complies with Canadian standard ICES-005 for use in residential applications. Data is based upon tests performed in a controlled environment. Actual performance can vary depending on operating conditions. Specifications are subject to change without notice.

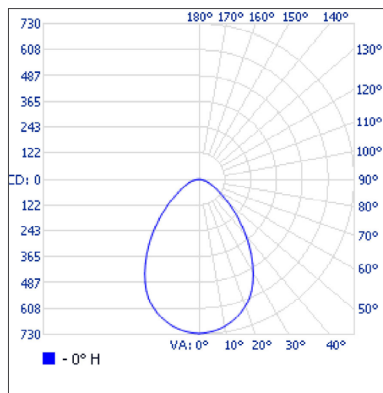
DIMENSIONS



PHOTOMETRIC DATA¹

67934 • CDU4R-PS4Q/3CWH (15 W, 3 000 W) • 1 235.0 lm

Polar candela distribution



Zonal lumen summary

Zone	Lumens	% Fixture
0-30	523.6	42.4%
0-40	789.1	63.9%
0-60	1 117.8	90.5%
60-90	117.2	9.5%
0-90	1 235.0	100%

Illuminance at a distance

Center beam fc	Beam width	
1.7'	251	2.7'
3.3'	66.6	5.3'
5.0'	29.0	8.0'
6.7'	16.2	10.7'
8.3'	10.5	13.3'
10.0'	4.26	16.0'

■ Vert. spread: 77.5°

¹ Complete IES files available on our website.

Qty	Description	Price

I accept the specifications of the luminaire configuration mentioned above.

Name: _____
 Company: _____
 Signature: _____

Date: _____

Data is based upon tests performed in a controlled environment. Actual performance can vary depending on operating conditions. All products are subject to change or may be discontinued any time without notice.