

Project: \_\_\_\_\_ Type: \_\_\_\_\_

Drawn by: \_\_\_\_\_ Catalogue #: \_\_\_\_\_ Date: \_\_\_\_\_

## Individual Spec Sheet

# FL

## LED CHOICE FLOOD LIGHTS

### ORDERING INFORMATION

**Order code:** 68211  
**Model number:** FL/S2/50W/40K/KN/BK/CHOICE/STD  
**UPC:** 069549015227  
**Case quantity:** 1/20

### PHYSICAL DATA

**Type:** Flood Light  
**Finish:** Black  
**Lens material:** Clear glass  
**Mounting:** Knuckle

### PERFORMANCE DATA

**Watts (W):** 50.6  
**Volts (VAC):** 120  
**Color temperature (K):<sup>1</sup>** 4 000  
**Lumen output (lm):<sup>2</sup>** 5 674  
**Efficiency (lm/W):** 112.13  
**CRI:** 70  
**Life L70 (h):<sup>3</sup>** >54 0000  
**Dimming (Yes/No):** No  
**Power factor:** 0.976  
**Beam angle (°):** 120  
**THD (%):** 21.41  
**Frequency (Hz):** 50/60  
**Surge protection (kV):** 1  
**Input current (A):** 0.44  
**Output current (mA):** 92.4  
**Operating temp. range:** -40°C to +50°C

<sup>1</sup> Typical color temperature range: +/- 5 %

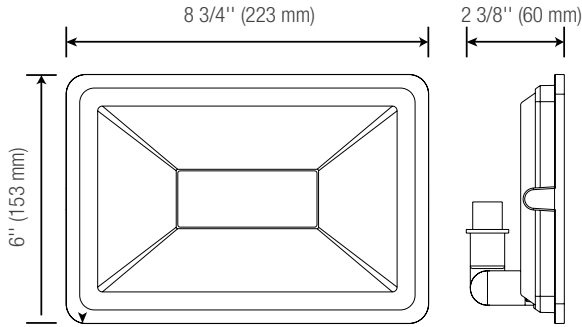
<sup>2</sup> Lumen values are derived from photometric testing. Initial lumens range: +/- 10 %

<sup>3</sup> Life hours are derived from IESNA LM80-08 testing report and projected per IESNA TM-21-11 extrapolations



This lighting equipment complies with Canadian standard ICES-005 for use in residential applications. Data is based upon tests performed in a controlled environment. Actual performance can vary depending on operating conditions. Specifications are subject to change without notice.

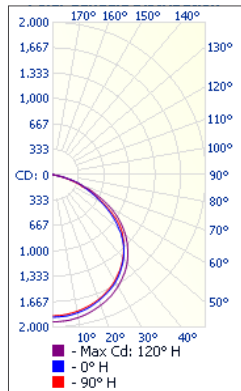
**DIMENSIONS**



**PHOTOMETRIC DATA<sup>1</sup>**

68211 • FL/S2/50W/40K/KN/BK/CHOICE/STD • 5 250.8 lm

**Polar candela distribution**



**Zonal lumen summary**

Zone	Lumens	% Fixture
0-30	1 486.5	28.3%
0-40	2 465.0	46.9%
0-60	4 401.7	83.8%
60-90	849.1	16.2%
0-90	5 250.8	100%

**Illuminance at a distance**

Center beam fc		Beam width	
17.0'	6.49	48.1'	52.3'
34.0'	1.62	96.2'	104.6'
51.0'	0.72	144.3'	156.9'
68.0'	0.41	192.4'	209.3'
85.0'	0.26	240.5'	261.6'
102.0'	0.18	288.5'	313.9'

■ Vert. spread: 109.5°  
■ Horiz. spread: 114.0°

<sup>1</sup> Complete IES files available on our website.

Qty	Description	Price

I accept the specifications of the luminaire configuration mentioned above.

Name: \_\_\_\_\_

Company: \_\_\_\_\_

Signature: \_\_\_\_\_

Date: \_\_\_\_\_

Data is based upon tests performed in a controlled environment. Actual performance can vary depending on operating conditions. All products are subject to change or may be discontinued any time without notice.