

Project: _____ Type: _____

Drawn by: _____ Catalogue #: _____ Date: _____

Individual Spec Sheet

FL

LED CHOICE FLOOD LIGHTS

ORDERING INFORMATION

Order code: 68214
Model number: FL/S2/30W/40K/YK/BK/CHOICE/STD
UPC: 069549015258
Case quantity: 1/20

PHYSICAL DATA

Type: Flood Light
Finish: Black
Lens material: Clear glass
Mounting: Yoke

PERFORMANCE DATA

Watts (W): 29.07
Volts (VAC): 120
Color temperature (K)¹: 4 000
Lumen output (lm)²: 3 207
Efficiency (lm/W): 110.32
CRI: 70
Life L70 (h)³: >54 0000
Dimming (Yes/No): No
Beam angle (°): 120
Power factor: 0.9677
THD (%): 23.42
Frequency (Hz): 50/60
Surge protection (kV): 1
Input current (A): 0.2489
Output current (mA): 115
Operating temp. range: -40°C to +50°C

¹ Typical color temperature range: +/- 5 %

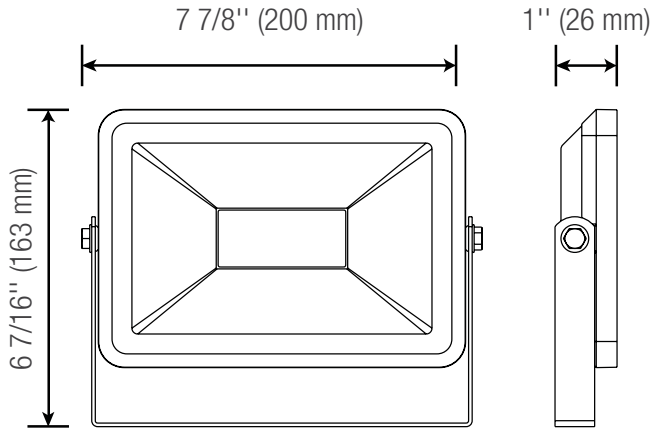
² Lumen values are derived from photometric testing. Initial lumens range: +/- 10 %

³ Life hours are derived from IESNA LM80-08 testing report and projected per IESNA TM-21-11 extrapolations



This lighting equipment complies with Canadian standard ICES-005 for use in residential applications. Data is based upon tests performed in a controlled environment. Actual performance can vary depending on operating conditions. Specifications are subject to change without notice.

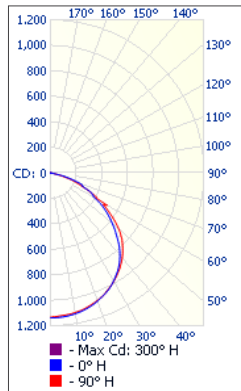
DIMENSIONS



PHOTOMETRIC DATA¹

68214 • FL/S2/30W/40K/YK/BK/CHOICE/STD • 3 040.1 lm

Polar candela distribution



Zonal lumen summary

Zone	Lumens	% Fixture
0-30	899.4	29.6%
0-40	1 484.0	48.8%
0-60	2 588.6	85.1%
60-90	451.5	14.9%
0-90	3 040.1	100%

Illuminance at a distance

Center beam fc		Beam width	
17.0'	3.95	42.0'	52.1'
34.0'	0.99	84.0'	104.2'
51.0'	0.44	126.0'	156.3'
68.0'	0.25	168.1'	208.4'
85.0'	0.16	210.1'	260.5'
102.0'	0.11	252.1'	312.6'

■ Vert. spread: 102.0°
■ Horiz. spread: 113.7°

¹ Complete IES files available on our website.

Qty	Description	Price

I accept the specifications of the luminaire configuration mentioned above.

Name: _____

Company: _____

Signature: _____

Date: _____

Data is based upon tests performed in a controlled environment. Actual performance can vary depending on operating conditions. All products are subject to change or may be discontinued any time without notice.