

Project: \_\_\_\_\_ Type: \_\_\_\_\_

Drawn by: \_\_\_\_\_ Catalogue #: \_\_\_\_\_ Date: \_\_\_\_\_

## Individual Spec Sheet

# VTL4-L

## 3 CCT SELECT, NEMA4X, NSF VAPOR TIGHT

### ORDERING INFORMATION

**Order code:** 68319  
**Model number:** VTL4-LS3-W/3C  
**UPC:** 69549007680  
**Case quantity:** 1

### PHYSICAL DATA

**Dimensions:** 45.66" x 4.74" (1160 mm x 120 mm)  
**Lens material:** Frosted PC  
**Latch material:** Stainless steel  
**Housing material:** Polycarbonate  
**Mounting:** Surface, suspended

### PERFORMANCE DATA

**Watts (W):** 42  
**Volts (VAC):** 120-277  
**Colour temperature (K)<sup>1</sup>:** 3 CCT (3 500/4 000/5 000)  
**Lumen output (lm)<sup>2</sup>:** 5 460  
**Lumen per Watts (lm/W):** 130  
**CRI:** 80+  
**Life L70 (h)<sup>3</sup>:** >50 000  
**THD (%):** 7.58  
**Power factor:** 0.9951  
**Dimming range:** 0-10 V  
**Frequency (Hz):** 50/60  
**Operating temp. range:** -32°C to 40°C (-25°F to 104°F)

<sup>1</sup> Typical colour temperature range: +/- 5 %

<sup>2</sup> Lumen values are derived from photometric testing. Initial lumens range: +/- 10 %

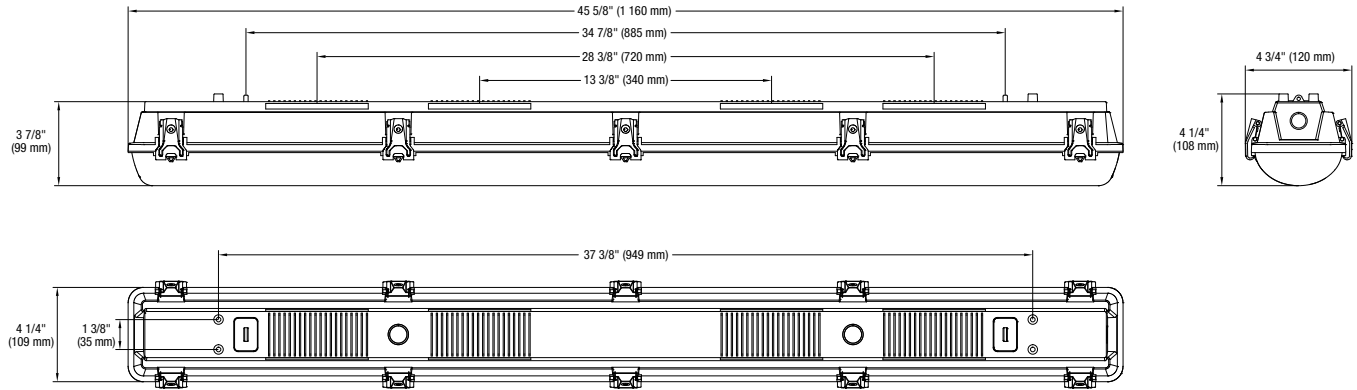
<sup>3</sup> Life hours are derived from IESNA LM80-08 testing report and projected per IESNA TM-21-11 extrapolations



Not all products are qualified on the DLC QPL. To view our DLC qualified products, please consult the DLC Qualified Products List at [www.designlights.org/search](http://www.designlights.org/search).

This lighting equipment complies with Canadian standard ICES-005 for use in residential applications. Data is based upon tests performed in a controlled environment. Actual performance can vary depending on operating conditions. Specifications are subject to change without notice.

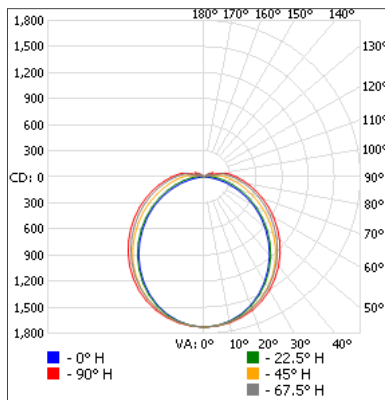
**DIMENSIONS**



**PHOTOMETRIC DATA<sup>1</sup>**

68319 • VTL4-LS3-W/3C • at 4 000 K • 5 690.1 lm

**Polar candela distribution**



**Zonal lumen summary**

Zone	Lumens	% Fixture
0-30	1 334.7	23.5%
0-40	2 182.8	38.4%
0-60	3 880.2	68.2%
60-90	1 473.9	25.9%
70-100	993.7	17.5%
90-120	296.5	5.2%
0-90	5 354.2	94.1%
90-180	336.0	5.9%
0-180	5 690.1	100%

**Illuminance at a distance**

Center beam fc	Beam width
4.3'	11.1' 16.8'
8.7'	22.5' 34.0'
13.0'	33.6' 50.8'
17.3'	44.7' 67.6'
21.7'	56.1' 84.7'
26.0'	67.2' 101.5'

Vert. spread: 104.5°  
 Horiz. spread: 125.8°

<sup>1</sup> Complete IES files available on our website.

Qty	Description	Price

I accept the specifications of the luminaire configuration mentioned above.

Name: \_\_\_\_\_  
 Company: \_\_\_\_\_  
 Signature: \_\_\_\_\_

Date: \_\_\_\_\_

Data is based upon tests performed in a controlled environment. Actual performance can vary depending on operating conditions. All products are subject to change or may be discontinued any time without notice.