

Project: _____

Type: _____

Drawn by: _____ Catalogue #: _____

Date: _____

Individual Spec Sheet

MOTION SENSOR DISK LIGHT

INTEGRATED PIR LED CEILING LUMINAIRE

ORDERING INFORMATION

Order code: 68378
Model number: CLDKMS7-R14W-A/40WH
UPC: 069549010659
Case quantity: 24

PHYSICAL DATA

Dimensions in. (mm): 7" 7/2 (190 mm)
Shape: Round
Type: Ceiling
Housing material: Steel
Finish: White
Sensor type: Passive Infrared
Lens material: PC
Lens finish: Frosted
Mounting: Surface mount

PERFORMANCE DATA

Watts (W): 14
Volts (VAC): 120
Colour temp. (K):¹ 4 000
Lumen output (lm):² 1 000
Lumen per Watts (lm/W): 70
CRI: 80+
Life L70 (h):³ 50 000
Beam angle (°): 100
Frequency (Hz): 60
Operating temp. range: - 20 °C à 40 °C (- 4 °F à 104 °F)
Dimmable: No

¹ Typical colour temperature range: +/- 5 %

² Lumens values from Energy Star reported data

³ Life hours are derived from IESNA LM80-08 testing report and projected per IESNA TM-21-11 extrapolations



quick
ship



LED
fixture



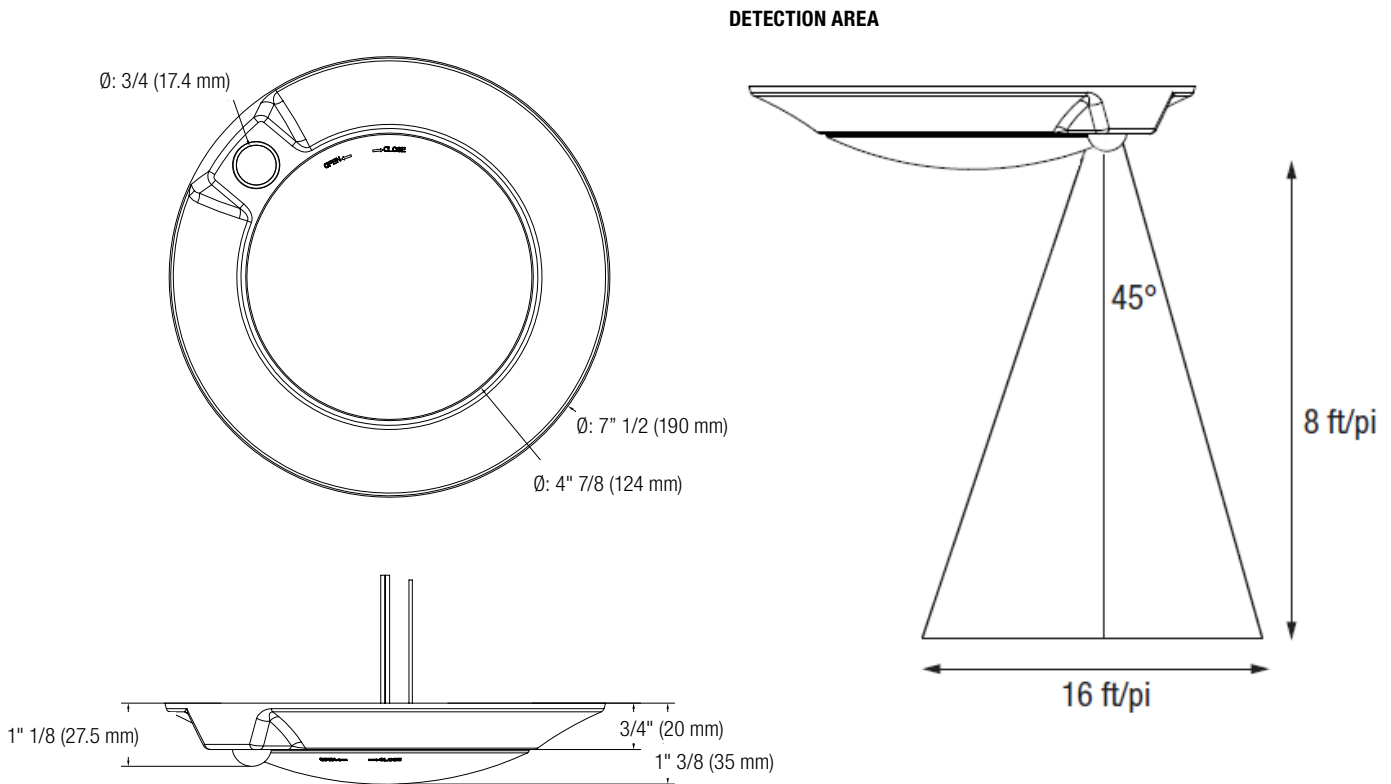
wet
location



ICES
005



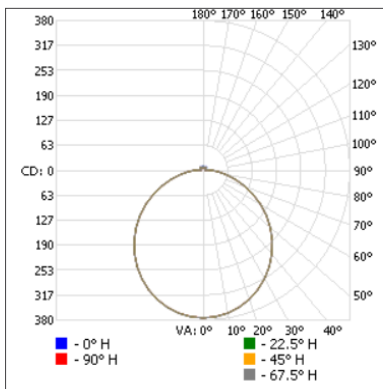
DIMENSIONS



PHOTOMETRIC DATA¹

68378 • CLDKMS7-R14W-A/40WH • 1 183.6 lm

Polar candela distribution



Zonal lumen summary

Zone	Lumens	% Fixture
0-30	290.4	24.5
0-40	476.7	40.3
0-60	849.9	71.8
60-90	275.8	23.3
70-100	151.2	12.8
90-120	27.6	2.3
0-90	1 125.7	95.1
90-180	57.9	4.9
0-180	1 183.6	100

Illuminance at a distance

Center beam fc	Beam width
1.7'	5.3' 5.3'
3.3'	10.3' 10.3'
5.0'	15.6' 15.5'
6.7'	20.9' 20.8'
8.3'	25.8' 25.8'
10.0'	31.1' 31.1'

■ Vert. spread: 114.6°
■ Horiz. spread: 114.5°

¹ Complete IES files available on our website.

Qty	Description	Price

I accept the specifications of the luminaire configuration mentioned above.

Name: _____

Company: _____

Signature: _____

Date: _____

Data is based upon tests performed in a controlled environment. Actual performance can vary depending on operating conditions. All products are subject to change or may be discontinued any time without notice.