

Project: \_\_\_\_\_ Type: \_\_\_\_\_

Drawn by: \_\_\_\_\_ Catalogue #: \_\_\_\_\_ Date: \_\_\_\_\_

## Individual Spec Sheet

# FL

## LED CHOICE FLOOD LIGHTS

### ORDERING INFORMATION

**Order code:** 68384  
**Model number:** FL/S2/20W/40K/YK/BK/CHOICE/STD  
**UPC:** 069549011045  
**Case quantity:** 1/40

### PHYSICAL DATA

**Type:** Flood Light  
**Finish:** Black  
**Lens material:** Clear glass  
**Mounting:** Yoke

### PERFORMANCE DATA

**Watts (W):** 19.86  
**Volts (VAC):** 120  
**Color temperature (K)<sup>1</sup>:** 4 000  
**Lumen output (lm)<sup>2</sup>:** 2 313  
**Efficiency (lm/W):** 116.47  
**CRI:** 70  
**Life L70 (h)<sup>3</sup>:** >54 0000  
**Dimming (Yes/No):** No  
**Beam angle (°):** 120  
**Power factor:** 0.9764  
**THD (%):** 21.67  
**Frequency (Hz):** 50/60  
**Surge protection (kV):** 1  
**Input current (A):** 0.1673  
**Output current (mA):** 65.6  
**Operating temp. range:** -40°C to +50°C

<sup>1</sup> Typical color temperature range: +/- 5 %

<sup>2</sup> Lumen values are derived from photometric testing. Initial lumens range: +/- 10 %

<sup>3</sup> Life hours are derived from IESNA LM80-08 testing report and projected per IESNA TM-21-11 extrapolations



quick  
ship



LED  
fixture



wet  
location

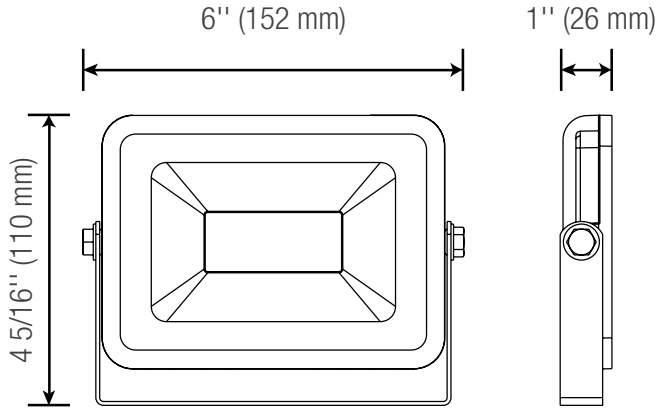


ICCS  
005



This lighting equipment complies with Canadian standard ICES-005 for use in residential applications.  
Data is based upon tests performed in a controlled environment.  
Actual performance can vary depending on operating conditions. Specifications are subject to change without notice.

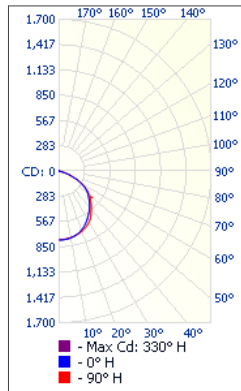
**DIMENSIONS**



**PHOTOMETRIC DATA<sup>1</sup>**

68384 • FL/S2/20W/40K/YK/BK/CHOICE/STD • 2 060.6 lm

**Polar candela distribution**



**Zonal lumen summary**

Zone	Lumens	% Fixture
0-30	608.6	29.5%
0-40	994.5	48.3%
0-60	1 744.0	84.6%
60-90	316.7	15.4%
0-90	2 060.6	100%

**Illuminance at a distance**

	Center beam fc		Beam width	
17.0'	2.69		1.1'	1.4'
34.0'	0.67		2.2'	2.8'
51.0'	0.30		3.2'	4.2'
68.0'	0.17		4.3'	5.6'
85.0'	0.11		5.4'	7.1'
102.0'	0.07		6.5'	8.5'
			■ Vert. spread: 3.6°	
		■ Horiz. spread: 4.8°		

<sup>1</sup> Complete IES files available on our website.

Qty	Description	Price

I accept the specifications of the luminaire configuration mentioned above.

Name: \_\_\_\_\_

Company: \_\_\_\_\_

Signature: \_\_\_\_\_

Date: \_\_\_\_\_

Data is based upon tests performed in a controlled environment. Actual performance can vary depending on operating conditions. All products are subject to change or may be discontinued any time without notice.