

Project: _____ Type: _____

Drawn by: _____ Catalogue #: _____ Date: _____

Individual Spec Sheet

UNIVERSAL COMMERCIAL-CDU

ALL-IN-ONE LED DOWNLIGHT

8"

ORDERING INFORMATION

Order code: 68424
Model number: CDU8R-PS4Q/3CWH AZ
UPC: 069549016484
Case quantity: 8

PHYSICAL DATA

Size in. (mm): 9 3/4 (246)
Shape: Round
Finish: White
Baffle finish: Alzak
Lens type: Frosted

PERFORMANCE DATA

Watts (W): 20 / 25 / 30 / 35
Volts (VAC): 120-347
Colour temperature (K)¹: 3 000 / 3 500 / 4 000
Lumen output (lm)²: 1 850 / 2 200 / 2 700 / 3 000
Lumen per Watts (lm/W): 90
CRI: 90+
Life L70 (h)³: 54 000
Beam angle (°): 85
Environment: Wet location
THD (%): <20
Power factor: >0.9
Frequency (Hz): 50/60
Operating temp. range: - 25 °C / - 4 °F to 40 °C / 104 °F
Dimmable: No

¹ Typical colour temperature range: +/- 5 %

² Lumen values are derived from photometric testing. Initial lumens range: +/- 10 %

³ Life hours are derived from IESNA LM80-08 testing report and projected per IESNA TM-21-11 extrapolations

COMPATIBLE ACCESSORIES ¹

Order code	Model number	Type	Inner diameter (in)	Outer diameter (in)
66818 ²	ACC/MPLATE/VELOCE8/HANG.BARS/STD	Mounting plate	8	N/A
68616	GOOF RING-8IN	Goof Ring	8 1/4	11 1/2

¹ For more information, please consult individual specification sheet.

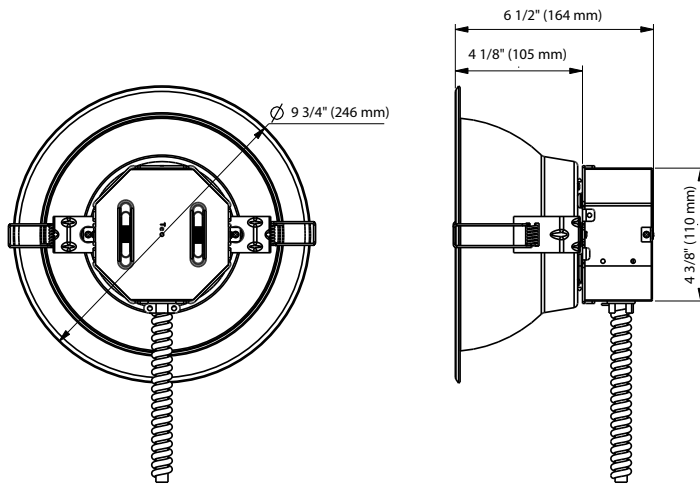
² Junction box not included



This lighting equipment complies with Canadian standard ICES-005 for use in residential applications. Data is based upon tests performed in a controlled environment. Actual performance can vary depending on operating conditions. Specifications are subject to change without notice.



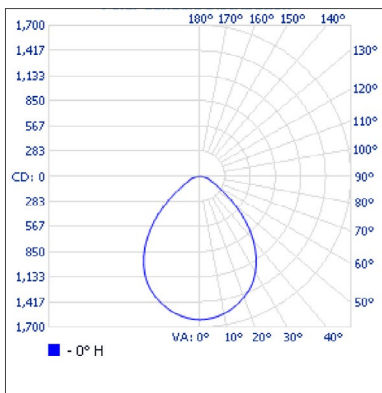
DIMENSIONS



PHOTOMETRIC DATA¹

68424 • CDU8R-PS4Q/3CWH AZ (35 W, 3 000 K) • 3 072.6 lm

Polar candela distribution



Zonal lumen summary

Zone	Lumens	% Fixture
0-30	1 205.9	39.4%
0-40	1 891.1	61.8%
0-60	2 786.2	91.4%
60-90	286.4	8.6%
0-90	3 072.6	100%

Illuminance at a distance

Center beam fc	Beam width
1.7'	3.2'
3.3'	6.2'
5.0'	9.4'
6.7'	12.6'
8.3'	15.6'
10.0'	18.8'

■ Vert. spread: 86.4°

¹ Complete IES files available on our website.

Qty	Description	Price

I accept the specifications of the luminaire configuration mentioned above.

Name: _____
 Company: _____
 Signature: _____

Date: _____

Data is based upon tests performed in a controlled environment. Actual performance can vary depending on operating conditions. All products are subject to change or may be discontinued any time without notice.