

Project: _____ Type: _____

Drawn by: _____ Catalogue #: _____ Date: _____

Individual Spec Sheet

MOTION SENSOR EDGELIT

INTEGRATED PIR LED CEILING LUMINAIRE

7"

ORDERING INFORMATION

Order code: 68466
Model number: CLEL7/S2/MS/12W/30K/RND/WH
UPC: 069549016491
Case quantity: 20

PHYSICAL DATA

Dimensions in. (mm): 7 1/4" (185 mm)
Shape: Round
Type: Ceiling
Housing Finish: White
Housing material: Plastic
Lens finish: Frosted
Lens material: PC
Mounting: Surface mount

PERFORMANCE DATA

Watts (W): 12
Volts (VAC): 120
Colour temp. (K):¹ 3000
Lumen output (lm):² 840
Lumen per Watts (lm/W):² 70
CRI: 80+
Life L70 (h):³ 50 000
Beam angle (°): 120
Frequency (Hz): 60
Operating temp. range: -30° C to 45° C (-22° F to 113° F)
Dimmable: No

¹ Typical colour temperature range: +/- 5 %

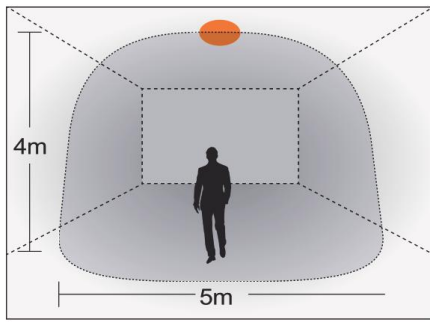
² Lumen values are derived from Energy Star.

³ Life hours are derived from IESNA LM80-08 testing report and projected per IESNA TM-21-11 extrapolations

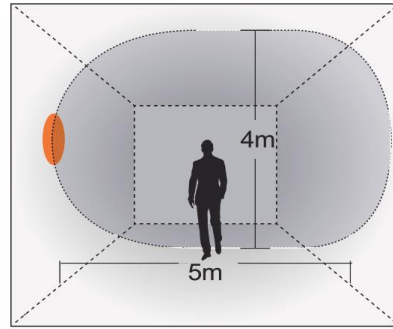


This lighting equipment complies with Canadian standard ICES-005 for use in residential applications. Data is based upon tests performed in a controlled environment. Actual performance can vary depending on operating conditions. Specifications are subject to change without notice.

DETECTION PATTERN

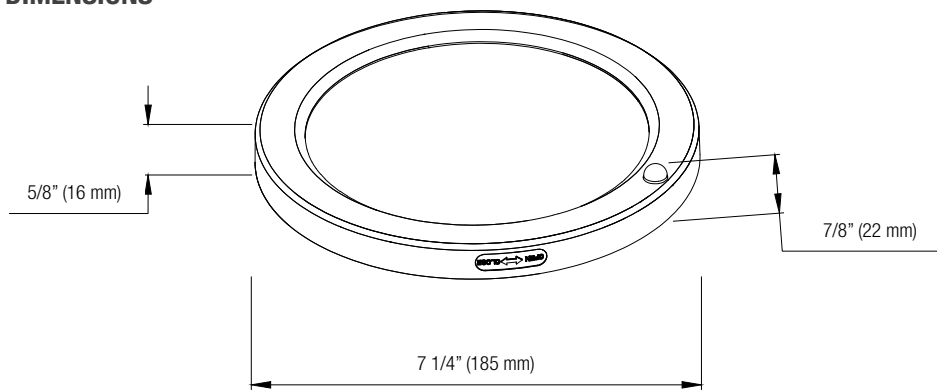


ceiling mounting pattern (m)



wall mounting pattern (m)

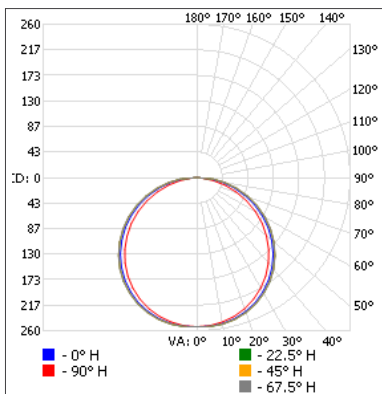
DIMENSIONS



PHOTOMETRIC DATA¹

68466 • CLEL7/S2/MS/12W/30K/RND/WH • 816.7 lm

Polar candela distribution



Zonal lumen summary

Zone	Lumens	% Fixture
0-30	202.4	24.8
0-40	335.9	41.1
0-60	612.0	74.9
60-90	204.7	25.1
70-100	96.4	11.8
90-120	0	0
0-90	816.7	100
90-180	0	0
0-180	816.7	100

Illuminance at a distance

Center beam fc	Beam width
1.7'	6.0' 5.3'
3.3'	11.6' 10.4'
5.0'	17.6' 15.7'
6.7'	23.5' 21.1'
8.3'	29.1' 26.1'
10.0'	35.1' 31.4'

■ Vert. spread: 120.7°
■ Horiz. spread: 115.1°

¹ Complete IES files available on our website.

Qty	Description	Price

I accept the specifications of the luminaire configuration mentioned above.

Name: _____
 Company: _____
 Signature: _____

Date: _____

Data is based upon tests performed in a controlled environment. Actual performance can vary depending on operating conditions. All products are subject to change or may be discontinued any time without notice.