

Individual Spec Sheet

MOTION SENSOR EDGELIT

INTEGRATED PIR CEILING LUMINAIRE

7"

ORDERING INFORMATION

Order code: 68467
Model number: CLEL7/S2/MS/12W/40K/RND/WH
UPC: 069549016507
Case quantity: 20

PHYSICAL DATA

Dimensions in. (mm): 7 1/4" (185 mm)
Shape: Round
Type: Ceiling
Housing Finish: White
Housing material: Plastic
Lens finish: Frosted
Lens material: PC
Mounting: Surface mount

PERFORMANCE DATA

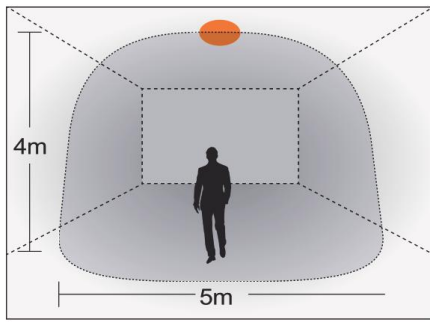
Watts (W): 12
Volts (VAC): 120
Colour temp. (K): 4000
Lumen output (lm): 840
Lumen per Watts (lm/W): 70
CRI: 80+
Life L70 (h): 50 000
Beam angle (°): 120
Frequency (Hz): 60
Operating temp. range: -30° C to 45° C (-22° F to 113° F)
Dimmable: No

¹ Typical colour temperature range: +/- 5 %
Data is based upon tests performed in a controlled environment.

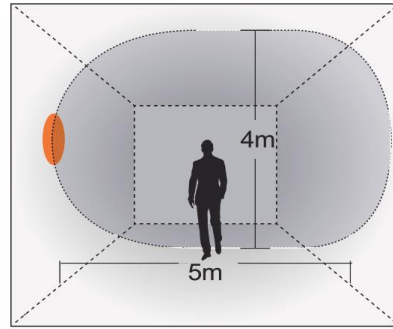
² Lumen values are derived from Energy Star.
³ Life hours are derived from IESNA LM80-08 testing report and projected per IESNA TM-21-11 extrapolations



DETECTION PATTERN

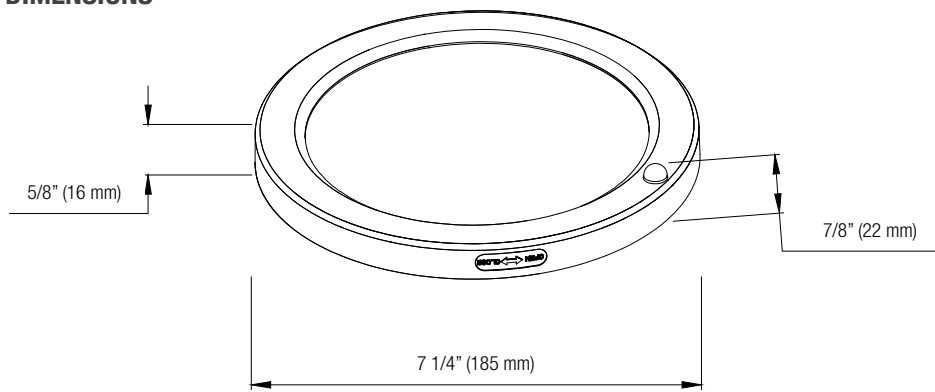


ceiling mounting pattern (m)



wall mounting pattern (m)

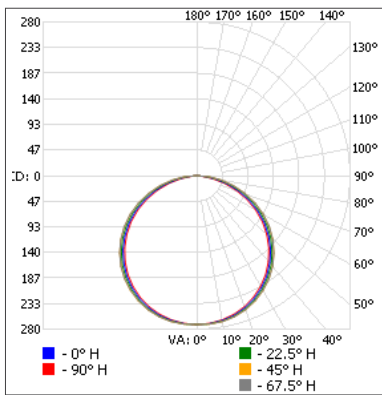
DIMENSIONS



PHOTOMETRIC DATA¹

68467 • CLEL7/S2/MS/12W/40K/RND/WH • 848.0 lm

Polar candela distribution



Zonal lumen summary

Zone	Lumens	% Fixture
0-30	215.6	25.4
0-40	357.1	42.1
0-60	647.5	76.4
60-90	200.5	23.6
70-100	89.7	10.6
90-120	0	0
0-90	848.0	100
90-180	0	0
0-180	848.0	100

Illuminance at a distance

Center beam fc	Beam width
1.7'	5.6' 5.4'
3.3'	10.8' 10.4'
5.0'	16.4' 15.7'
6.7'	22.0' 21.1'
8.3'	27.2' 26.1'
10.0'	32.8' 31.5'

■ Vert. spread: 117.2°
■ Horiz. spread: 115.2°

¹ Complete IES files available on our website.

Qty	Description	Price

I accept the specifications of the luminaire configuration mentioned above.

Name: _____

Company: _____

Signature: _____

Date: _____

Data is based upon tests performed in a controlled environment. Actual performance can vary depending on operating conditions. All products are subject to change or may be discontinued any time without notice.