

Project: \_\_\_\_\_ Type: \_\_\_\_\_

Drawn by: \_\_\_\_\_ Catalogue #: \_\_\_\_\_ Date: \_\_\_\_\_

## Individual Spec Sheet

# FLB

## LED FLOOD LIGHT GEN 4

Quick and Easy Mounting accessories (Sold separately)

### ORDERING INFORMATION

**Order code:** 68551  
**Model number:** FLBM-L3AM-W-4K-BR  
**UPC:** 069549017269  
**Case quantity:** 1  
**DLC unique ID:** PJD8Y8Z

### PHYSICAL DATA

**Dimensions:** 14 3/4" x 12 5/8" x 2 5/8" (375 mm x 320 mm x 65 mm)  
**Lens material:** Polycarbonate  
**Housing material:** Aluminum die-cast  
**Finish:** Bronze

### PERFORMANCE DATA

**Watts (W):** 234  
**Volts (V):** 120-277  
**Color temperature (K):** 4 000  
**Lumen output (lm):** 33 728  
**Efficiency (lm/W):** 144  
**CRI:** 70  
**NEMA Type (HxV):** 7x7  
**Life L70 (h):** >60 000  
**Dimming (Yes/No):** Yes  
**Power factor:** 0.99  
**THD (%):** 6.01  
**Surge protection (kV):** 10  
**LED current (mA):** 2.191-0.947  
**Operating temp. range:** -40 °C to 40 °C

<sup>1</sup> Typical colour temperature range: +/- 5 %

<sup>2</sup> Lumen values are derived from photometric testing. Initial lumens range: +/- 10 %

<sup>3</sup> Life hours are derived from IESNA LM80-08 testing report and projected per IESNA TM-21-11 extrapolations

### COMPATIBLE ACCESSORIES

Order code	Description
68569	Bronze Yoke for FLBS-FLBM
68571	Bronze Slipfitter
68572	Bronze square/round Pole arm
68573	Bronze Trunnion
68574	Bronze Wall/Pole mount adapter <sup>1</sup>
68717	Bronze Slipfitter and Wall mount adapter

<sup>1</sup> Wall mount adapter used conjunctively with Slipfitter.

This lighting equipment complies with Canadian standard ICES-005 for use in commercial applications. Data is based upon tests performed in a controlled environment. Actual performance can vary depending on operating conditions. Specifications are subject to change without notice.



quick  
ship



LED  
fixture



dimmable  
fixture



wet  
location



IK08

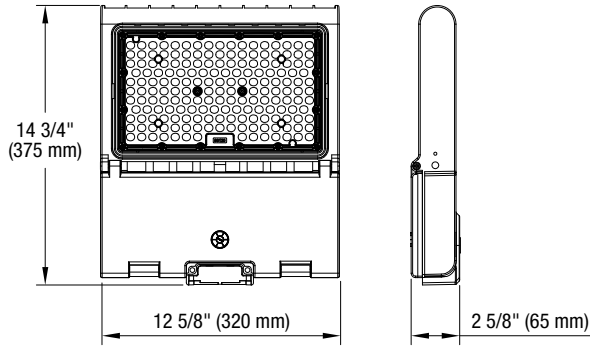


ICES  
005



Not all products are qualified on the DLC QPL. To view our DLC qualified products, please consult the DLC Qualified Products List at [www.designlights.org/search](http://www.designlights.org/search).

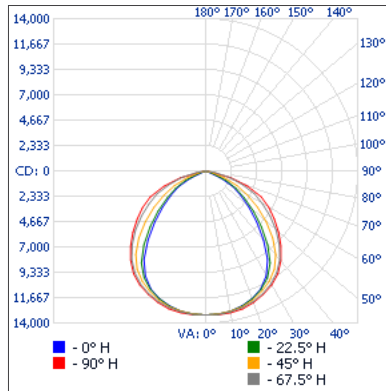
**DIMENSIONS**



**PHOTOMETRIC DATA<sup>1</sup>**

68551 • FLBM-L3AM-W-40K-BR • 33 680.2 lm

**Polar candela distribution**



**Zonal lumen summary**

Zone	Lumens	% Fixture
0-30	10 547.3	31.3%
0-40	17 301.9	51.4%
0-60	29 008.2	86.1%
60-90	4 672.0	13.9%
70-100	1 320.9	3.9%
90-120	0	0%
0-90	33 680.2	100%
90-180	0	0%
0-180	33 680.2	100%

**Illuminance at a distance**

	Center beam fc	Beam width	
17'	45.9 fc	34.5'	59.8'
34'	11.5 fc	69.0'	119.7'
51'	5.10 fc	103.5'	179.5'
68'	2.87 fc	138.0'	239.3'
85'	1.83 fc	172.5'	299.2'
102'	1.27 fc	207.0'	359.0'

■ Vert. spread: 90.8°  
■ Horiz. spread: 120.8°

<sup>1</sup> Complete IES files available on our website.

Qty	Description	Price

I accept the specifications of the luminaire configuration mentioned above.

Name: \_\_\_\_\_  
 Company: \_\_\_\_\_  
 Signature: \_\_\_\_\_

Date: \_\_\_\_\_

Data is based upon tests performed in a controlled environment. Actual performance can vary depending on operating conditions. All products are subject to change or may be discontinued any time without notice.