

## Individual Spec Sheet

# CIRKA

## ROUND LED CEILING LUMINAIRE

3 CCT Selectable  
Slim & Lightweight

### ORDERING INFORMATION

**Order code:** 68714  
**Model number:** CRK7-R12W-A-3CWH  
**UPC:** 069549018655  
**Case quantity:** 40

### PHYSICAL DATA

**Dimensions in (mm):** 7"(180)  
**Lens finish:** Frosted  
**Housing material:** PC  
**Housing finish:** White  
**Mounting:** Surface

### PERFORMANCE DATA

**Watts (W):** 12  
**Volts (V AC):** 120  
**Color temperature (K):<sup>1</sup>** 3 000/4 000/5 000  
**Lumen output (lm):<sup>2</sup>** 840  
**Efficacy (lm/W):** 70  
**CRI:** 80  
**Life L70 (h):<sup>3</sup>** 50 000  
**Dimming :** Yes  
**Power factor:** 0.9  
**THD (%):** < 40  
**Frequency (Hz):** 60  
**Operating temp. range:** -10° C to 45° C (14 °F to 113 °F)

<sup>1</sup> Typical color temperature range: +/- 5 %.

<sup>2</sup> Lumen values are derived from Energy Star reported data. Please refer to Lumen Specification Table for more details on other color temperatures.

<sup>3</sup> Life hours are derived from IESNA LM80-08 testing report and projected per IESNA TM-21-11 extrapolations.

### LUMEN SPECIFICATION TABLE

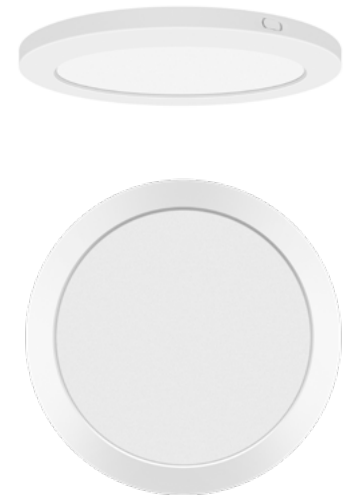
Model number	3 000 K		4 000 K		5 000 K	
	Lumens (lm)	Efficacy (lm/W)	Lumens (lm)	Efficacy (lm/W)	Lumens (lm)	Efficacy (lm/W)
CRK7-R12W-A-3CWH	813	68	867	72	803	67

Default programming: 3 000 K

### COMPATIBLE ACCESSORIES

Order code	Type	Case qty (master)
RNG-TRM07-BN	7" Brushed Nickel trim	40
68898	7" Polished Black trim	40
68899	7" Polished Chrome trim	40
RNG-TRM07-BRG	7" Brushed Rose Gold trim	40
RNG-TRM07-BB	7" Brushed Bronze trim	40

### SCREWLESS MAGNETIC TRIMS



quick ship



LED fixture



dimable



damp location



ICES 005



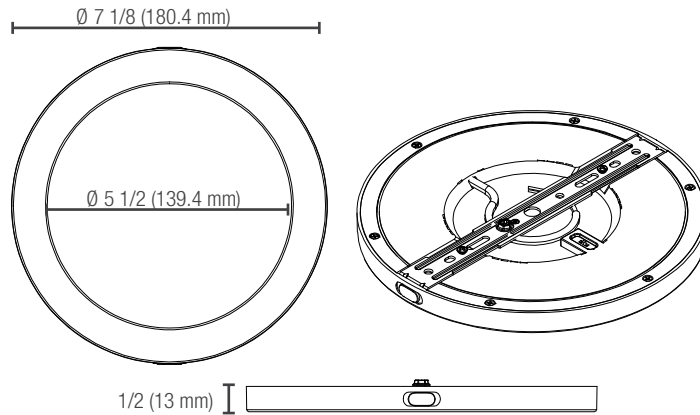
This lighting equipment complies with Canadian standard ICES-005 for use in residential applications. Data is based upon tests performed in a controlled environment. Actual performance can vary depending on operating conditions. Specifications are subject to change without notice.

**COMPATIBLE DIMMERS**

Brand	Model
LUTRON	PD-5NE, PD-6WCL, DVCL-153P, CTCL-153P, DVCL-253P, AYCL-253P, DVRP-253-WH, SELV-300P, MACL-153P, RRD-6NA-WH
COOPER	AAL06, SLC03P
LEVITON	066EV, IPL06, 6674, DSL06-1ZL, IPE04-1LZ

NOTE: The above table shows dimmers that have been tested and have demonstrated proper operation under normal conditions. Each installation being unique, various factors such as load, common neutrals or other electrical products on the circuit can, in certain instances, cause variance in system performance. Read and comply to the dimmer installation instructions. Consult dimming system manufacturer for additional support in operation. Stanpro recommends to use dimmers designed to work with LED products. Older dimmers designed for incandescent products may cause erratic operation. Some dimmers may require more than one product for stable operation. The maximum number of products is determined by the dimmer wattage rating with LEDs. Be careful, these dimmers have different ratings depending on the product type. Again, refer to the dimmer installation instructions.

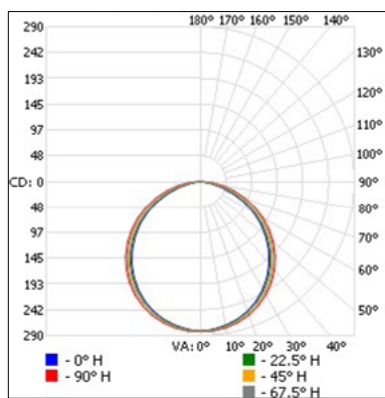
**DIMENSIONS**



**PHOTOMETRIC DATA<sup>1</sup>**

**68714 • CRK7-R12W-A-3CWH • 3 000 K • 813 lm**

**Polar candela distribution**



**Zonal lumen summary**

Zone	Lumens	% Fixture
0-30	219.9	27.1
0-40	361.2	44.5
0-60	640.4	78.8
60-90	172.1	21.2
0-90	812.5	100

**Illuminance at a distance**

Center beam fc	Beam width
1.7'	4.8' 5.6'
3.3'	9.3' 10.9'
5.0'	14.0' 16.6'
6.7'	18.8' 22.2'
8.3'	23.3' 27.5'
10.0'	28.0' 33.1'

■ Vert. spread: 109.0°  
■ Horiz. spread: 117.7°

<sup>1</sup> Complete IES files available on our website.

Qty	Description	Price

I accept the specifications of the luminaire configuration mentioned above.

Name: \_\_\_\_\_  
 Company: \_\_\_\_\_  
 Signature: \_\_\_\_\_

Date: \_\_\_\_\_

Data is based upon tests performed in a controlled environment. Actual performance can vary depending on operating conditions. All products are subject to change or may be discontinued any time without notice.