

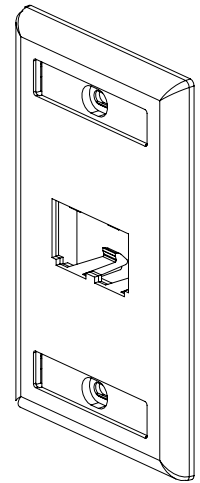
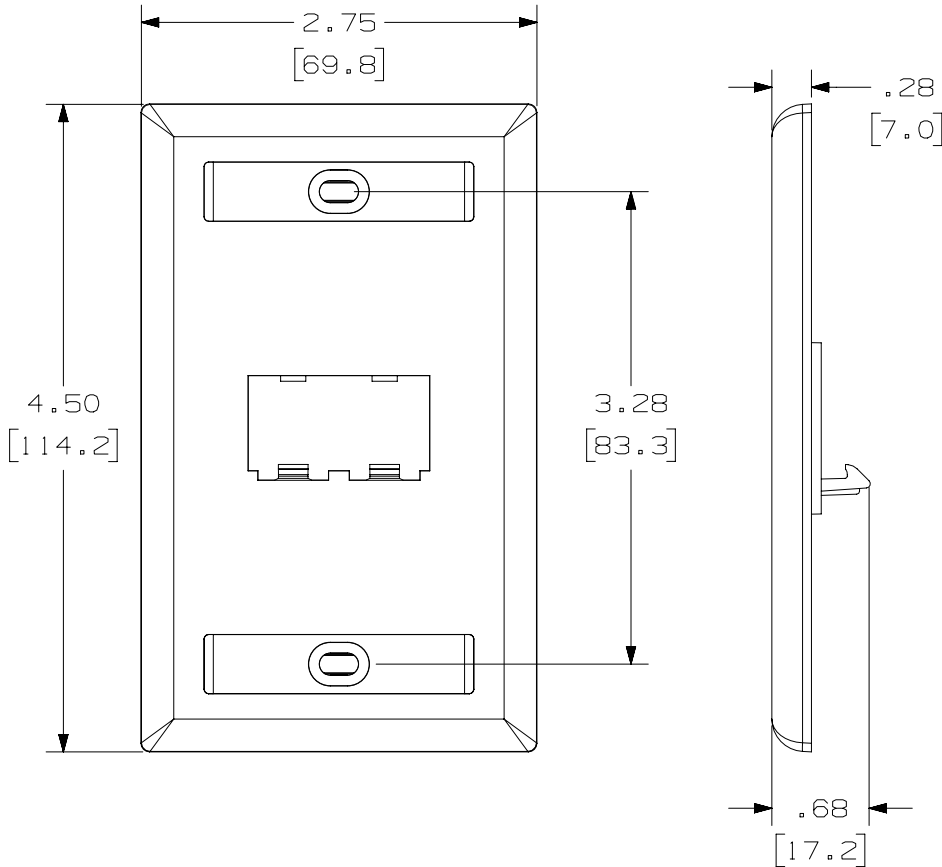
THIS COPY IS PROVIDED ON A RESTRICTED BASIS AND IS NOT TO BE USED IN ANY WAY DETRIMENTAL TO THE INTERESTS OF PANDUIT CORP.

PANDUIT P/N	WEIGHT
CFPL2**Y	.60 LB/10 PCS. (273.9 G/10 PCS.)
CFPL2**-X	.60 LB/10 PCS. (273.9 G/10 PCS.)

NOTES:

- SEE CURRENT CATALOG FOR ADDITIONAL PART NUMBER SUFFIXES TO INDICATE COLOR AND OR PACKAGE QUANTITY.
- SEE CATALOG FOR COMPLETE LIST OF PARTS APPLICABLE FOR USE WITH THIS PART.
- CFPL2**Y INCLUDES:
1 - FACEPLATE
2 - MOUNTING SCREW
2 - LABEL
2 - LABEL COVER

- CFPL2**-X INCLUDES:
10 - FACEPLATES
20 - MOUNTING SCREWS
20 - LABELS
20 - LABEL COVERS
- DIMENSIONS IN [] ARE IN METRIC.



PART NUMBER		SEE TABLE	
TITLE			
MINI-COM 2 POSITION VERTICAL CLASSIC SERIES FACEPLATE WITH LABEL/COVER			
CUSTOMER DRAWING			
ITEM REVISION NAME		M02479EC/02	
DATASET FILE NAME		M02479EC_DC/02A	
UNLESS OTHERWISE SPECIFIED, DIMENSIONAL TOLERANCES ARE: IN [mm]		MATERIAL:	
.X ± .03 [.8]		ABS	
.XXX ± .010 [.3]		DRAWING NUMBER:	
ANGLES ±		02479-109	
THIRD ANGLE PROJECTION		SHT 1 OF 1	
DRAWN BY	DATE	CHK	SCALE
JSP	4-26-06	MJD	NONE
REV	DATE	BY	CHK
02A	12-14-21	MDJR	JCO
1	4/14/14	JSP	REFR
R	4-26-06	JSP	MJD
APR	DESCRIPTION		ECN
	B. ADDED BULK PACK PART NUMBER.		02479-109
	A. REVISED DRAWING TITLE BLOCK.		02479-109
	RELEASED TO PRODUCTION		02479-109

D10100DA/14

2

1

2

1