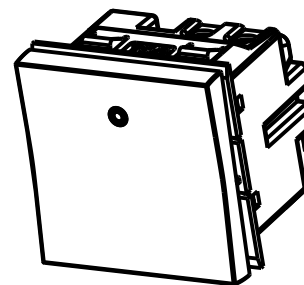
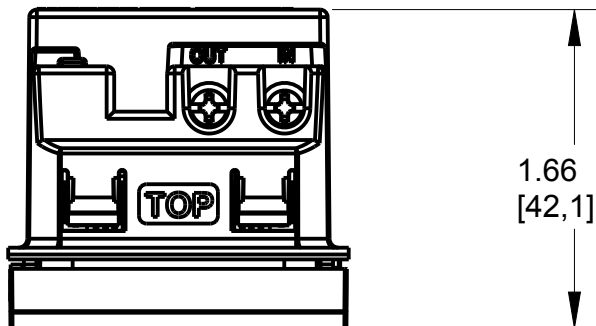


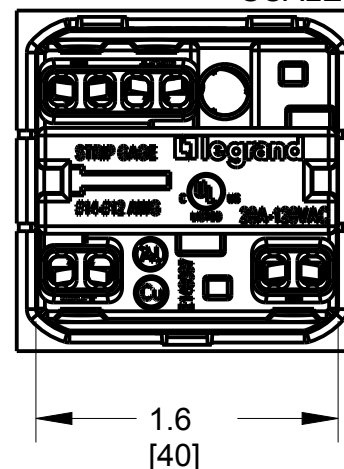
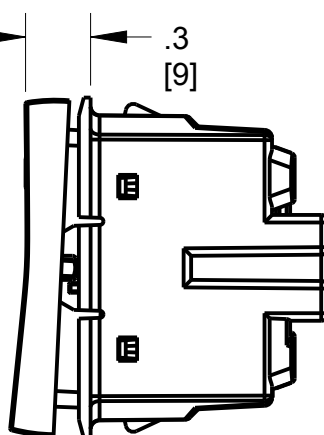
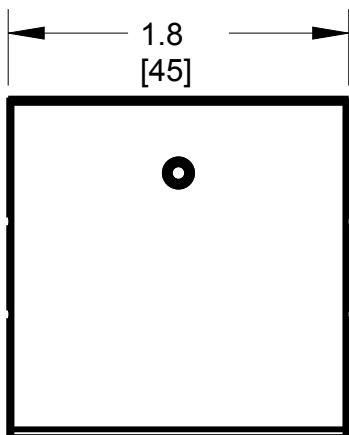
2

1

REV	EC.NO.	DATE	DESCRIPTION	DFTR	CK.
A		3/28/17	INITIAL RELEASE		



SCALE 0.667



B

B

A

A

Size Face: 2x2 Module
 Size Backbody: 2x2 Module
 3rd Party Compliance: cULus LISTED
 Rating: 20A, 4-way, 120VAC, All Loads
 Termination: Back Wire Only
 Misc: Copper Wire Only
 Accepts Locator Status Light
 For Use With adorne System Only

ASPD2042, Paddle Switch 2-Module

MATERIAL	SEE NOTE	UNSPECIFIED TOL. FRAC. ± 1/64 ANGLES ± 1.0 DEC .0 ± 0.02 .00 ± 0.01 .000 ± 0.001			
FINISH	SEE NOTE				
DSGN BY: RMR	3/28/17		MODEL NAME: ASPD2042		
DR. BY:		SHT 1of1	PROJ.	DWG. NO.: CD1205	REV.: A
CK. BY:		SCALE: 1.000			

NOTICE: Proprietary and confidential information of Pass & Seymour/Legrand
 Reproduction or disclosure prohibited under penalty of law.

2

1