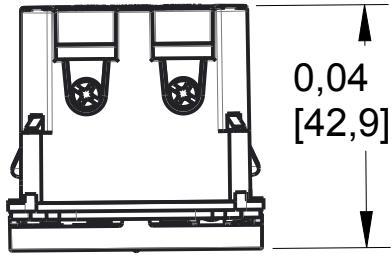


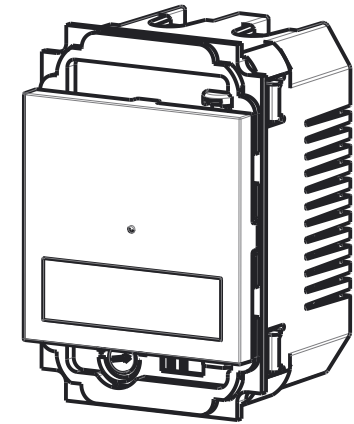
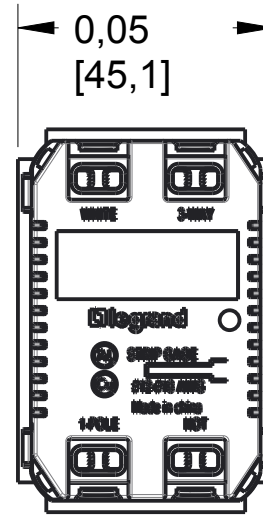
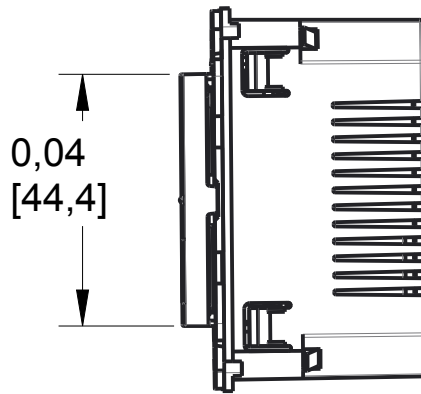
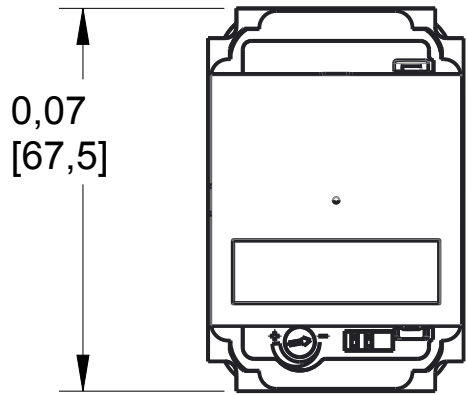
2



1

REV	EC.NO.	DATE	DESCRIPTION	DFTR	CK.
A			INITIAL RELEASE		

B



B

A

Must Be Paired With Another SensaSwitch or SensaDimmer For Multi-Way Use

Size Face: 2x2 Module

Size Backbody: 3x2 Module

3rd Party Compliance: cULus LISTED

Rating:

600W, 120VAC, 60Hz,

1/6 Hp, All Loads

Termination: Back Wire Only

Misc: Copper Wire Only

For Use With adorne System Only

A

ASVS12, SensaSwitch Manual-ON/Auto-OFF

MATERIAL	SEE NOTE	UNSPECIFIED TOL. FRAC. ± 1/64 ANGLES ± 1.0 DEC .0 ± 0.02 .00 ± 0.01 .000 ± 0.001	 		
FINISH	SEE NOTE				
DSGN.BY:	6/2/2015		MODEL NAME:	ASVS12	
DR.BY:		SHT 1of1	PROJ.	DWG.NO.:	REV.:
CK.BY:		SCALE:		CD1179	A

NOTICE: Proprietary and confidential information of Pass & Seymour/Legrand
 Reproduction or disclosure prohibited under penalty of law.

2

1