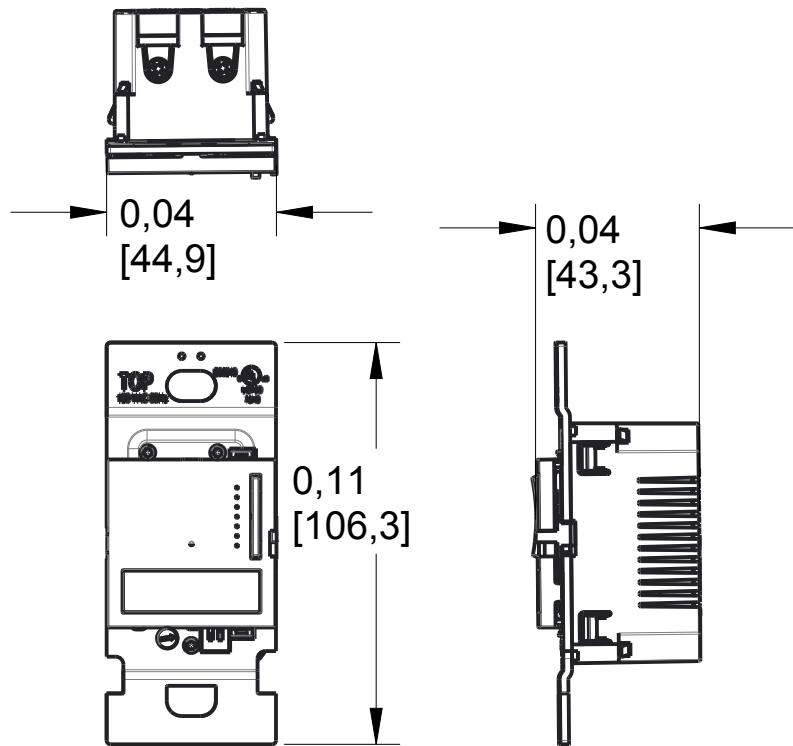
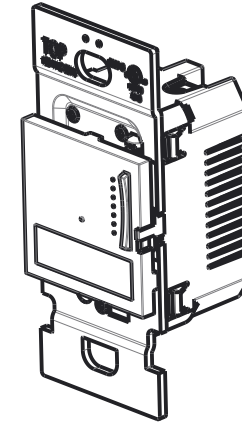
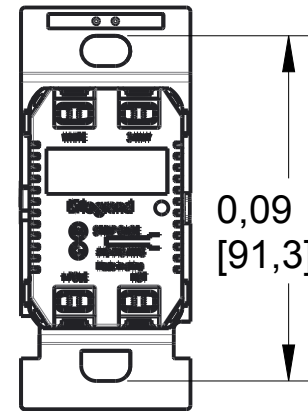


2

1



REV	EC.NO.	DATE	DESCRIPTION	DFTR	CK.
A			INITIAL RELEASE		



Must Be Paired With Another  
SensaSwitch or SensaDimmer For  
Multi-Way or 3 Wire Occupancy  
Dimming Use

Size Face: 2x2 Module

Size Backbody: 3x2 Module

3rd Party Compliance: cULus LISTED

Rating:

25W-700W, Incandescent

25W-700W, Halogen

25W-450W, CFL




25W-450W, LED

Termination: Back Wire Only

Misc: Copper Wire Only

For Use With adorne System Only

## ADSM703H, SensaDimmer Auto-ON/Auto-OFF

MATERIAL	SEE NOTE	UNSPECIFIED TOL. FRAC. $\pm 1/64$ ANGLES $\pm 1.0$ DEC. $0 \pm 0.02$ $.00 \pm 0.01$ $.000 \pm 0.001$	 		
FINISH	SEE NOTE				
DSGN.BY:	6/1/2015		MODEL NAME:	ADSM703H	
DR.BY:		SHT 1of1	PROJ.	DWG.NO.:	REV.:
CK.BY:		SCALE: 0.500		CD1178	A

NOTICE: Proprietary and confidential information of Pass & Seymour/Legrand  
Reproduction or disclosure prohibited under penalty of law.

2

1