

LDN Series 4"

Commercial-grade Downlighting

Features that redefine affordability!

The **LDN 4"** family of downlights is the most cost-effective solution for commercial-grade downlight applications seeking general illumination. Family includes round & square downlights both open and wallwash as well as Cylinders.

Key Features:

- With 55° cutoff and 75 – 80 typical LPW, LDN4 allows for a quiet, glare-free ceiling without compromising on efficacy
- 1.0 Spacing/Mounting Height ratio provides general illumination performance
- Open wallwash kicker design provides a complementary asymmetric washlight distribution
- Cylinders available in surface, pendant, cable or wall-mounting options
- eldoLED dimming drivers available in 10% or 1% minimum dimming levels
- Available with nLight® network controls from Acuity Controls
- **A+ capable configurations (see back for details)**

Learn more about the LDN at www.lithonia.com



Round Downlight



Round Wallwash



Square Downlight

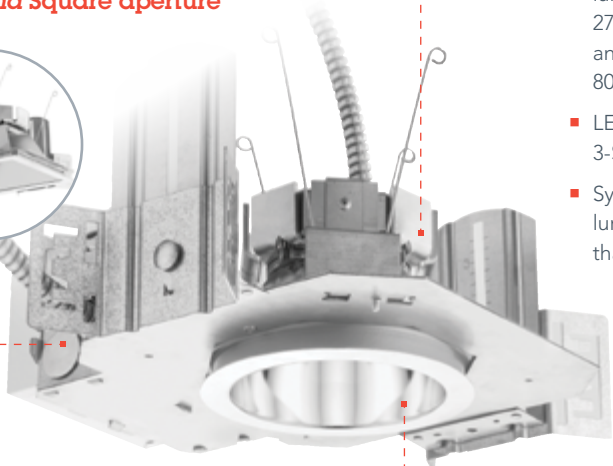
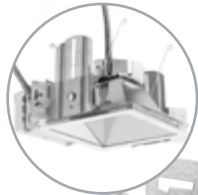


Square Wallwash

LDN Series 4" Downlight

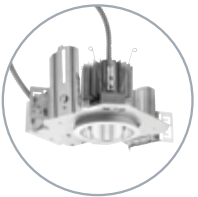
The LDN Series is the versatile LED downlight you've been looking for. Despite its very reasonable price, it comes with a remarkable number of features that contribute to its outstanding value.

The LDN platform is available in both classic forms: Round and Square aperture



1500lm shown

- eldoLED 0-10V dimming driver
- MVOLT (120-277V); 347V optional



LDN Series heat sinks are optimized for each lumen package.

3000lm shown

- Up to 3000 delivered lumens, available in 2700K, 3000K, 3500K and 4000K CCT at 80+ CRI
- LEDs binned to a 3-Step SDCM
- System maintains 70% lumen output for more than 50,000 hours
- 55° cut off allows for a quiet, glare free ceiling
- 1.0 s/mh spacing for general illumination
- Damp or wet location available
- specular, semi-specular and matte diffuse finishes available

Your 4" family for all of your commercial projects with downlight, wallwash and cylinders.



Cable



Pendant



Surface Mount



Wall Mount

- Available in 10 standard colors and any RAL color
- Available in wet and damp location
- Available in downlight and wallwash reflectors



A+ Capable configurations support A+ Certified Solutions. A+ Certified solutions from Acuity Brands help you quickly and confidently select and implement lighting systems that are both compatible and consistent.

For a lighting application, A+ Certified means a verified consistent color appearance and dimming performance of all the fixtures within the certified solution. For lighting professionals, it means ease, freedom and confidence that all parts of a certified lighting system will operate together.

Go to www.acuitybrands.com/APlus or contact your local Acuity Brands representative for more information.



eldoLED



POWER ENTRY



AcuityControls
nLight

Visit www.lithonia.com for more information.