

VUH | OXFORD™

VERTICAL UNIT HEATER



TRIPLE CONE UNIT
(OPTIONAL CONE)

OXFORD™
SERIES | SÉRIE



A MAMMOTH TO HEAT LARGE AREAS

The VUH not only impresses with its good looks but also its great, powerful and uncompromising operation. The greatest strength of this unit is its mode of operation; it is designed to circulate air continuously. The unit is responsible for recirculating the warm air that is often trapped near the ceiling and masterfully redirects it down 360°. The VUH, available from 5 kW to 60 kW, is an excellent choice for heating large areas.

HEAT RECYCLING SYSTEM

DRAWS IN THE WARM AIR AT THE CEILING AND REDIRECTS IT WHERE IT IS NEEDED MOST

OPTIONAL CONE DIFFUSERS

THREE SIZES AVAILABLE FOR BETTER AIR DISTRIBUTION

FULLY ENCLOSED MOTOR

WITH BALL BEARINGS

PERFECT FOR LARGE SPACES WITH HIGH CEILINGS

COLOUR

- charcoal

FINISH

- epoxy-polyester powdercoat

MANUFACTURING

- heavy-duty, 16-gauge steel cabinet
- three sizes of cone diffusers available for better air distribution
- thermal protection with automatic reset

MOTOR

- totally enclosed with ball bearings

ELEMENT

- tubular element sheathed with spiral-wound fins for improved heat dissipation

CONTROL

- 24 V, 120 V or 240 V control circuit
- terminal block for remote fan control
- all units have factory installed contactors
- connection of multiple units to the same thermostat is possible with a relay kit without transformer (optional) and an external transformer (not provided)

INSTALLATION

- 4 1/2 in. (12.7 mm) mounting holes (5 kW to 10 kW units) for threaded rods (13-thread) (threaded rods not provided)
- four eyebolts for chain suspension (15 kW to 60 kW units)

WARRANTY

- three years

IDEAL FOR:

warehouse, factory, indoor parking garage, large industrial and commercial spaces

°**STELPRO**

Stelpro reserves the right to modify descriptions, manufacturing specifications or prices without prior notice. No returns accepted on optional-colour products. For all the latest models and prices, please refer to our website at www.stelpro.com.



TECHNICAL SPECIFICATIONS

240 V CONTROL		24 V CONTROL	120 V CONTROL		POWER	VOLTAGE	PHASE	FLOW	MOTOR	HEAT RISE		WEIGHT	
CODE	PRICE	CODE	CODE	PRICE	KILOWATTS	VOLTS	NB.	CFM	HP	°C	°F	KG	LB
VUH0581CCHAR	3224.00	VUH0581C24CHAR	VUH0581C120CHAR	3429.00	5	208	1	450	1/25	20	35	34.0	75
VUH0583CCHAR	3224.00	VUH0583C24CHAR	VUH0583C120CHAR	3429.00	5	208	3	450	1/25	20	35	34.0	75
VUH0521CCHAR	3224.00	VUH0521C24CHAR	VUH0521C120CHAR	3429.00	5/3.75	240/208	1	450	1/25	20	35	34.0	75
VUH0531CCHAR	3322.00	VUH0531C24CHAR	VUH0531C120CHAR	3530.00	5	347	1	450	1/25	20	35	34.0	75
VUH0563CCHAR	3322.00	VUH0563C24CHAR	VUH0563C120CHAR	3530.00	5	600	3	450	1/25	20	35	34.0	75
VUH0783CCHAR	3272.00	VUH0783C24CHAR	VUH0783C120CHAR	3477.00	7.5	208	3	600	1/25	22	39	34.0	75
VUH0721CCHAR	3272.00	VUH0721C24CHAR	VUH0721C120CHAR	3477.00	7.5/5.63	240/208	1	600	1/25	22	39	34.0	75
VUH0731CCHAR	3371.00	VUH0731C24CHAR	VUH0731C120CHAR	3579.00	7.5	347	1	600	1/25	22	39	34.0	75
VUH0763CCHAR	3371.00	VUH0763C24CHAR	VUH0763C120CHAR	3579.00	7.5	600	3	600	1/25	22	39	34.0	75
VUH1083CCHAR	3337.00	VUH1083C24CHAR	VUH1083C120CHAR	3543.00	10	208	3	750	1/25	23	42	34.0	75
VUH1021CCHAR	3337.00	VUH1021C24CHAR	VUH1021C120CHAR	3543.00	10/7.5	240/208	1	750	1/25	23	42	34.0	75
VUH1031CCHAR	3439.00	VUH1031C24CHAR	VUH1031C120CHAR	3646.00	10	347	1	750	1/25	23	42	34.0	75
VUH1063CCHAR	3439.00	VUH1063C24CHAR	VUH1063C120CHAR	3646.00	10	600	3	750	1/25	23	42	34.0	75
VUH1583CCHAR	5496.00	VUH1583C24CHAR	VUH1583C120CHAR	5705.00	15	208	3	1200	1/3	22	39	47.6	105
VUH1521CCHAR	5496.00	VUH1521C24CHAR	VUH1521C120CHAR	5705.00	15/11.25	240/208	1	1200	1/3	22	39	47.6	105
VUH1563CCHAR	5656.00	VUH1563C24CHAR	VUH1563C120CHAR	5864.00	15	600	3	1200	1/3	22	39	47.6	105
VUH2083CCHAR	5682.00	VUH2083C24CHAR	VUH2083C120CHAR	5889.00	20	208	3	1600	1/3	22	39	47.6	105
VUH2021CCHAR	5682.00	VUH2021C24CHAR	VUH2021C120CHAR	5889.00	20/15	240/208	1	1600	1/3	22	39	47.6	105
VUH2063CCHAR	5856.00	VUH2063C24CHAR	VUH2063C120CHAR	6063.00	20	600	3	1600	1/3	22	39	47.6	105
VUH2583CCHAR	5795.00	VUH2583C24CHAR	VUH2583C120CHAR	6004.00	25	208	3	2000	1/3	22	39	47.6	105
VUH2521CCHAR	5795.00	VUH2521C24CHAR	VUH2521C120CHAR	6004.00	25/18.75	240/208	1	2000	1/3	22	39	47.6	105
VUH2563CCHAR	5977.00	VUH2563C24CHAR	VUH2563C120CHAR	6184.00	25	600	3	2000	1/3	22	39	47.6	105
VUH3083CCHAR	5901.00	VUH3083C24CHAR	VUH3083C120CHAR	6110.00	30	208	3	2300	1/3	23	41	47.6	105
VUH3021CCHAR	5901.00	VUH3021C24CHAR	VUH3021C120CHAR	6110.00	30/22.5	240/208	1	2300	1/3	23	41	47.6	105
VUH3063CCHAR	6082.00	VUH3063C24CHAR	VUH3063C120CHAR	6289.00	30	600	3	2300	1/3	23	41	47.6	105
VUH4063CCHAR	7987.00	VUH4063C24CHAR	VUH4063C120CHAR	8196.00	40	600	3	4000	3/4	18	32	90.7	200
VUH5063CCHAR	8950.00	VUH5063C24CHAR	VUH5063C120CHAR	9156.00	50	600	3	4000	3/4	22	39	90.7	200
VUH6063CCHAR	9850.00	VUH6063C24CHAR	VUH6063C120CHAR	10055.00	60	600	3	4800	3/4	22	39	90.7	200

The C24 code applies only to the thermostat. The fan remains energized at 240 V.

ACCESSORIES

PRODUCT	DESCRIPTION	PRICE
VUHFS*	fan switch	82.00
VUHC24RX*	relay kit without transformer 24 V	175.00
VUHDIS80CHAR*	disconnect switch [80 A]	452.00
VUHDIS100CHAR*	disconnect switch [100 A]	796.00
VUHDIS200CHAR*	disconnect switch [200 A]	1504.00

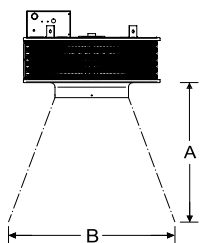
* Factory installed



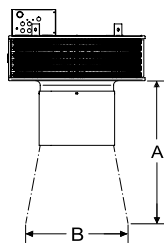
CONE DIFFUSERS AND THROW DISTANCES

PRODUCT	TYPE	POWER	WEIGHT		SURFACE A		SURFACE B		PRICE
CODE	CONE	KILOWATTS	KG	LB	M	FT.	M	FT.	
---	WITHOUT CONE	5-10	---	---	3.7	12	5.8	19	---
---	WITHOUT CONE	15-30	---	---	6.1	20	8.3	27	---
---	WITHOUT CONE	40-60	---	---	9.1	30	14.0	46	---
VUHJC1CHAR	JET	5-10	2.3	5	4.3	14	4.9	16	143.00
VUHJC2CHAR	JET	15-30	2.3	5	6.7	22	6.1	20	188.00
VUHJC3CHAR	JET	40-60	2.3	5	9.8	32	9.1	30	264.00
VUHSC1CHAR	SINGLE	5-10	5	11	3.1	10	6.9	22	649.00
VUHSC2CHAR	SINGLE	15-30	5	11	3.7	12	9.5	31	686.00
VUHSC3CHAR	SINGLE	40-60	5	11	4.9	16	10.0	33	1079.00
VUH3C1CHAR	TRIPLE	5-10	10	22	3.1	10	9.5	31	946.00
VUH3C2CHAR	TRIPLE	15-30	10	22	4.2	15	14.0	46	1189.00
VUH3C3CHAR	TRIPLE	40-60	10	22	6.1	20	15.0	49	1862.00
VUH4C1CHAR	QUADRUPLE	5-10	15	33	3.1	10	10.4	34	1190.00
VUH4C2CHAR	QUADRUPLE	15-30	15	33	4.2	15	15.3	50	1500.00
VUH4C3CHAR	QUADRUPLE	40-60	15	33	6.1	20	17.1	56	2358.00

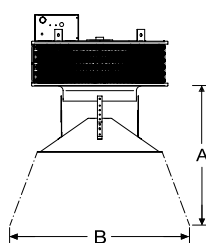
WITHOUT CONE



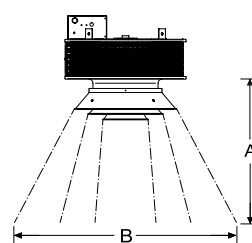
JET CONE



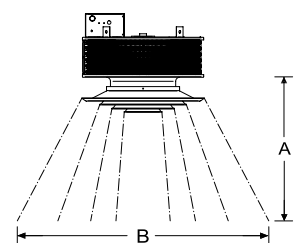
SINGLE CONE



TRIPLE CONE

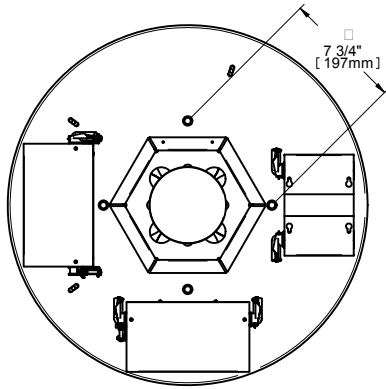


QUADRUPLE CONE

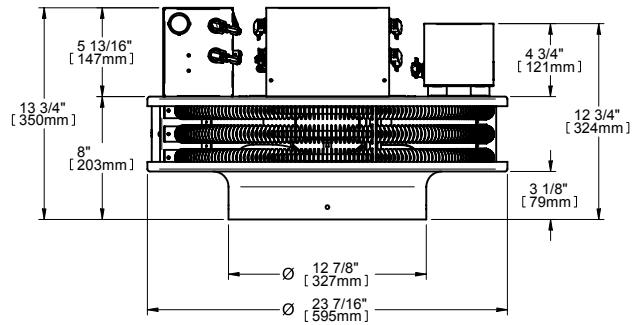


TECHNICAL DRAWINGS

5 KW TO 10 KW UNITS

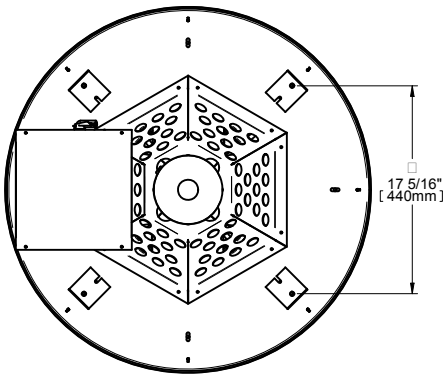


TOP

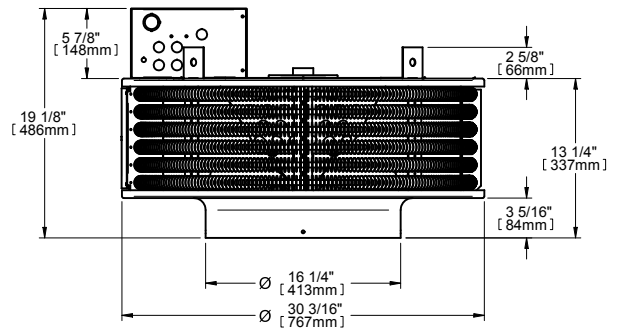


FRONT

15 KW TO 30 KW UNITS

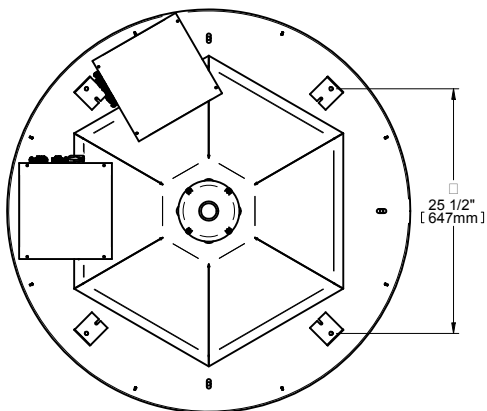


TOP

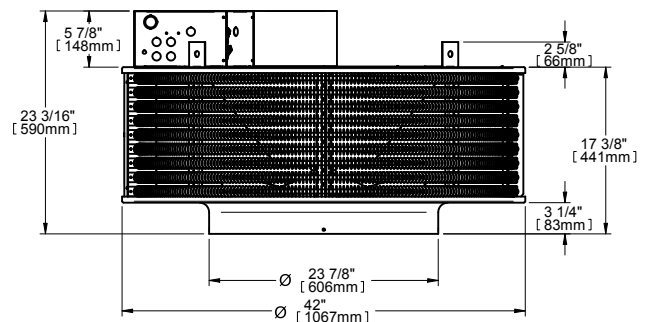


FRONT

40 KW TO 60 KW UNITS



TOP



FRONT