



Adjustable Slim Wall Pack features a discreet design that will complement any building exterior. Two sizes are available, with three wattage and three CCT selectable options each.

Project: _____
 Location: _____
 Cat.No: _____
 Type: _____
 Lamps: _____ Qty: _____
 Notes: _____

Ordering guide

example: ASW25-SCT-G1-10-BW

Family	CCT	Generation	Input Voltage	Finish
	<input type="text" value="SCT"/>	<input type="text" value="G1"/>	<input type="text" value="10"/>	<input type="text" value="BW"/>
ASW25 Adjustable Slim Wall Pack - Selectable wattage 15W/20W/25W	SCT Field Selectable - 3CCT 3000K, 4000K & 5000K	G1 Generation 1	10 120-347V	BW Brown Grey
ASW75 Adjustable Slim Wall Pack - Selectable wattage 45W/60W/75W				

Specifications

Housing

Die-cast aluminum housing with UV stabilized polycarbonate lens mounted with stainless steel hardware.

IP Rating

LED light engine is weather proof rated IP65.

Electrical

Electrical Driver efficiency (>90% at full load). Available in 120-347V. IP65 compliant driver. RoHS compliant. Standard surge protection 4kV.

Optical System and Controls

Three color temperature options 3000K, 4000K (Default), 5000K. 70 CRI.

Mounting

Offers a 0 to 90° tilt option. Mounts to standard 3 1/2" to 4" square and octagonal or 4 inch round electrical junction boxes, using a simple flip cover design for easy access.

Light Engine

System efficacy up to 120lm/W

Lumen output options:

15W: 1800lm, **20W:** 2400lm, **25W:** 3000lm
45W: 5400lm, **60W:** 7200lm, **75W:** 9000lm

Listings

cETL listed. Suitable for Wet Locations. Suitable for use in ambient from -40°C to 40°C (-40°F to 104°F). All versions are DLC 5.1 Premium qualified.

Finish

Powder coat finish, standard color is Brown Grey (BW).

Limited Warranty

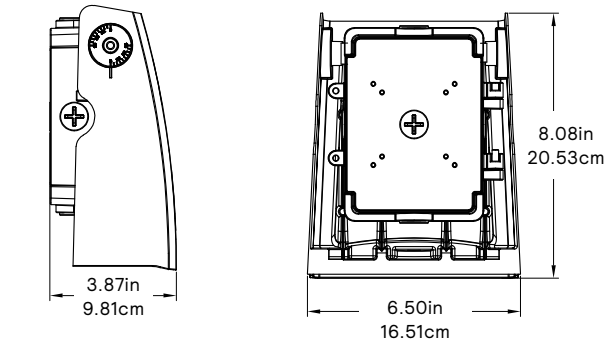
Luminaires are all covered by a 5-year limited warranty. See signify.com/warranties for details.

ASW Adjustable Slim Wall Pack

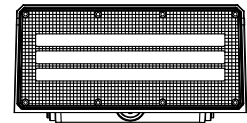
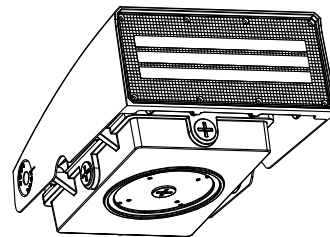
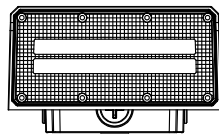
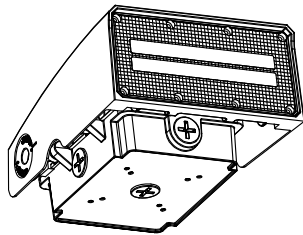
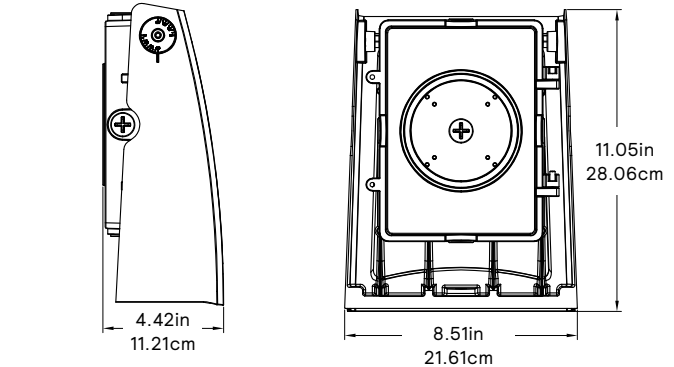
25W and 75W

Dimensions

ASW25



ASW75



LED Wattage and Lumen Values

Ordering Codes	Total LEDs	System Current (mA)	Color Temp. (K)	Average System Wattage ¹	Lumen Output ^{1,2}	Efficacy (LPW)	Weight (kg)
ASW25-SCT-G1-10-BW	52	250	3000/4000/5000	15W/20W/25W	1800/2400/3000	120	1.32
ASW75-SCT-G1-10-BW	100	750	3000/4000/5000	45W/60W/75W	5400/7200/9000	120	2.4

1. Wattage and lumen output may vary due to LED manufacturer forward volt specification and ambient temperature. Wattage shown is average for 120V through 277V input. Measured wattage may vary due to variation in input voltage.
2. Lumen values based on photometric tests performed in compliance with IESNA LM-79.

Predicted Lumen Depreciation Data

Ordering Codes	Ambient Temperature °C	L ₇₀ Per TM-21 ^{1,2}	Lumen Maintenance % @ 60,000hrs
ASW25-SCT-G1-10-BW	-40°C to 40°C	L70 > 50,000hrs @25C	86%
ASW75-SCT-G1-10-BW	-40°C to 40°C	L70 > 50,000hrs @25C	86%

1. Predicted performance derived from LED manufacturer's data and engineering design estimates, based on IESNA LM-80 methodology. Actual experience may vary due to field application conditions.
2. L70 is the predicted time when LED performance depreciates to 70% of initial lumen output.



© 2022 Signify Holding. All rights reserved. The information provided herein is subject to change, without notice. Signify does not give any representation or warranty as to the accuracy or completeness of the information included herein and shall not be liable for any action in reliance thereon. The information presented in this document is not intended as any commercial offer and does not form part of any quotation or contract, unless otherwise agreed by Signify.

Signify North America Corporation
400 Crossing Blvd, Suite 600
Bridgewater, NJ 08807
Telephone: 855-486-2216

Signify Canada Ltd.
281 Hillmount Road,
Markham, ON, Canada L6C 2S3
Telephone: 800-668-9008

All trademarks are owned by Signify Holding or their respective owners.