

MOON PUCK

Single Hardwire Wall Wash Puck, 210 Lumens, 3 Watts, 24V
Cove, Under Cabinet & Millwork

Job Information		
Project Name		Type
Location		
Quantity		Date
Contact/Phone		
Notes		

Features

Puck Light

The 3 watt wall wash puck is constructed with a metal body and bracket ring, and plastic reflector. The diffuser frosted lens provides for even light distribution, while maintaining low heat dispensation. The bracket ring allows the puck light to be fixed on to various surfaces.

Light Output

The wall wash puck light is available in warm white (3000 K), providing 210 lumens per fixture, 60° beam spread with wall wash effect.

Dimming

100%-10% dimming capability. Use compatible 24V dimming driver (max 50W) to achieve dimming functionality (no driver included).

Linkability

Each fixture provided with bare leads, offering flexibility in linking the puck lights to satisfy any layout (maximum 12 pucks per run).

Mounting

Wall wash pucks can be surface or recess mounted. For recessed mounting, bracket ring can be removed, and fixture attached to the surface using pressure clips.

Operating Temperature

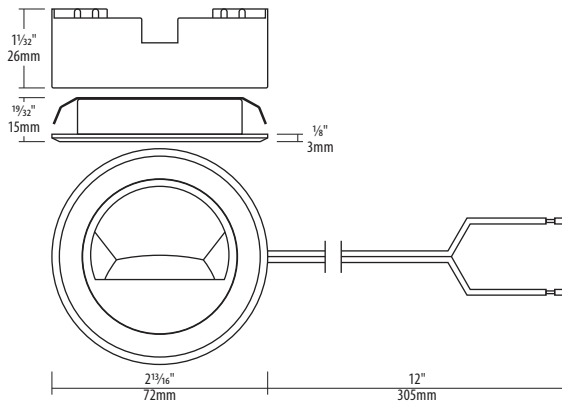
-20°C~40°C (-4°F~104°F)

SPECIFICATION	
Application	Under Cabinet
Approved Location	Damp
Beam Angle	60° Wall Wash
CCT	3000 K
Certification	cETLus
Class II	Yes
Color	BK / BN / WH
CRI	90
Dimming	Yes
Hole Cut	Ø 2¼" (57mm)
Input	24V DC
Lumens	Up to 210
Lumens per Watt	Up to 70
Projected Life	70% @ 25,000 hrs
Tilt Angle	50°
Warranty	3 Years
Wattage	3W



Description

The wall wash pucks offer smooth low profile design, flexibility and the perfect choice for accent lighting. The ability to link multiple fixtures together makes for faster installation.



Notes: Accessories and drivers are sold separately. For additional options please consult your Liteline representative. Due to our continued efforts to improve our products, product specifications are subject to change without notice.

Ordering Guide

UC-WW-2430H90

Finish

BK : Black
BN : Brushed Nickel
WH : White

Compatible Drivers

OnCloud

OnCloud Driver Kit



OC-HWB-60WUCP-1C

100-240VAC, 60W, 1-Channel 24VDC OnCloud driver kit, powers and controls wireless dimming and on/off capability through WiZ app, Room Controller and smart speakers.

OnCloud Adapter



LC-DVR-CV96W1UCP-1C

24V, 1-Channel OnCloud adapter, controls dimming and on/off capability through WiZ app, Room Controller and smart speakers.

Power feed required



LED-HWB-DC21-6-PF

DC 2.1 to bare leads power feed. Maximum 10' to first fixture.

* Power feed required for all drivers with DC 2.1 jack.

Non Dimming Class II

Hardwire Drivers



LED-HWB-24V-24W

24W indoor LED hardwire box, 24V. Maximum 6 units.



LED-HWB-24V-36W

36W indoor LED hardwire box, 24V. Maximum 9 units.

Power feed required



LED-HWB-DC21-6-PF

DC 2.1 to bare leads power feed. Maximum 10' to first fixture.

* Power feed required for all drivers with DC 2.1 jack.

Dimming Class II

Electronic Hardwire Drivers – Hardwire



HWB-DIM-EDC-24V-25W

25W dimmable class 2 power supply, 24V. Maximum 7 units.



HWB-DIM-EDC-24V-50W

50W dimmable class 2 power supply, 24V. Maximum 12 units.