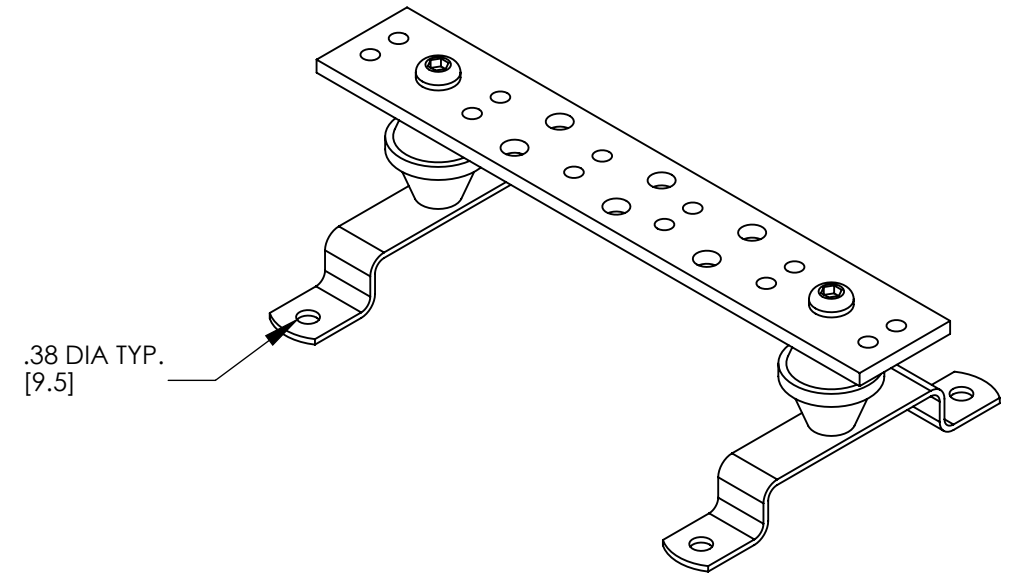
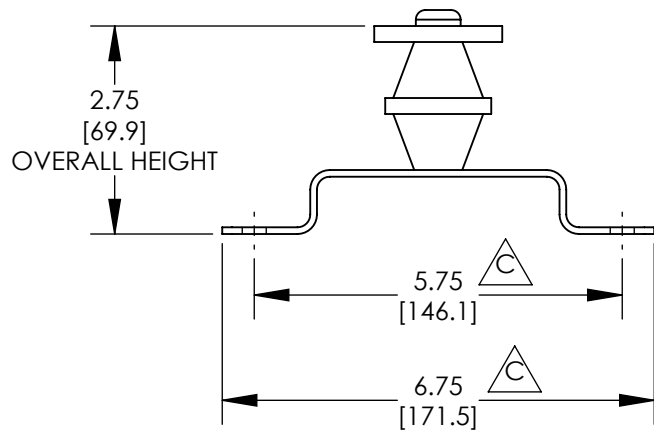
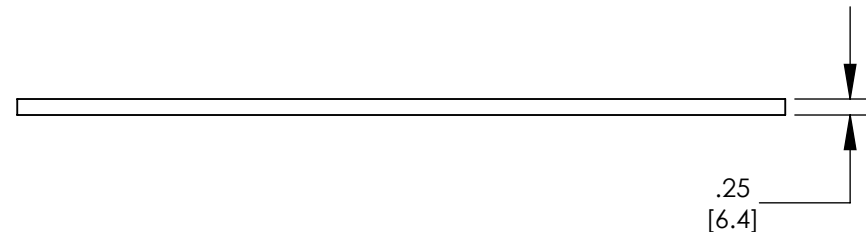
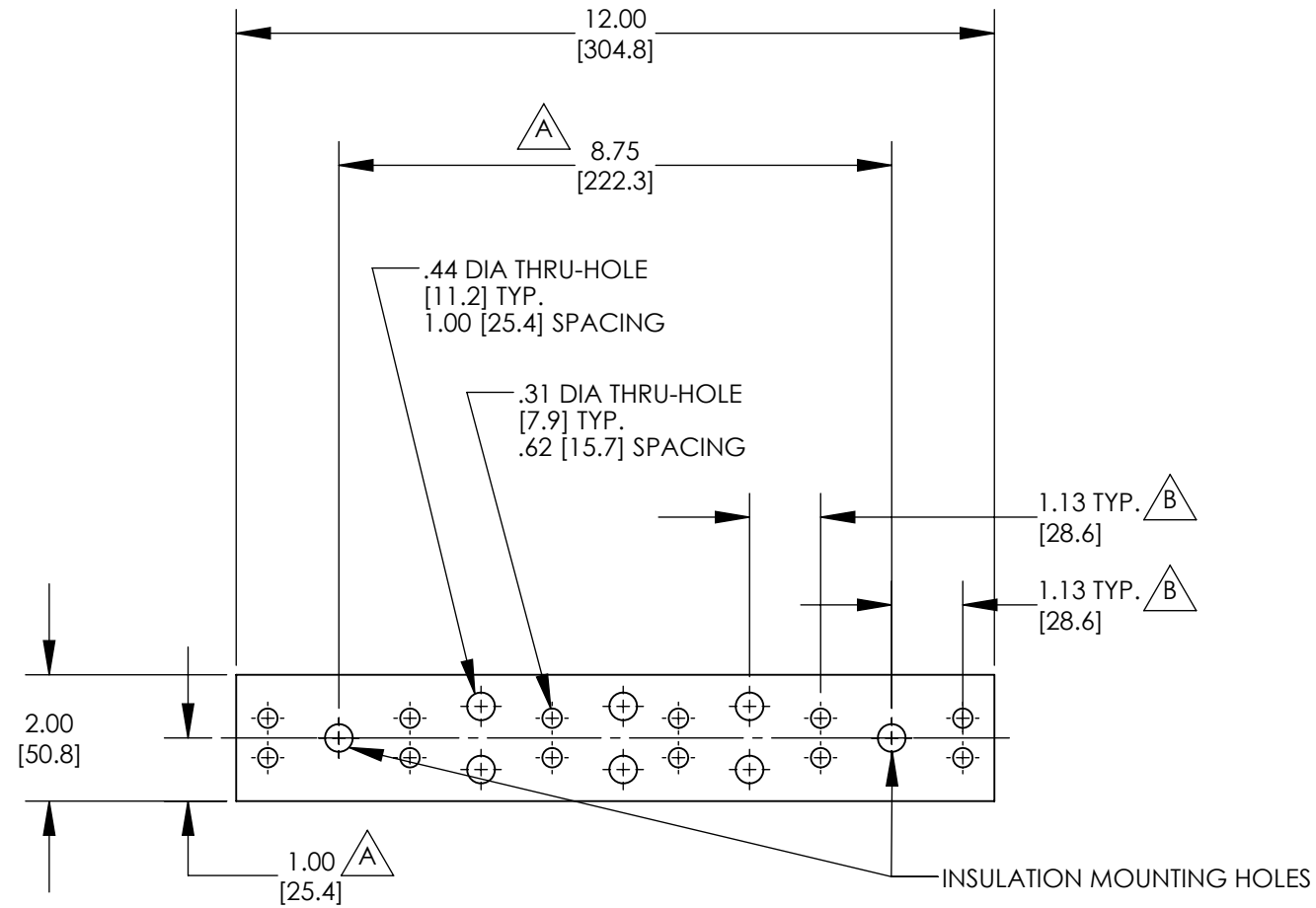


THIS COPY IS PROVIDED ON A RESTRICTED BASIS AND IS NOT TO BE USED IN ANY WAY DETRIMENTAL TO THE INTERESTS OF PANDUIT CORP.



ASSEMBLED AS SHOWN

NOTES:

1. KIT COMES FULLY ASSEMBLED
2. KIT INCLUDES BUSBAR, MOUNTING BRACKETS, INSULATORS, AND MOUNTING HARDWARE.
3. MEETS BICSI/ANSI/TIA-607-D
4. DIMENSIONS IN PARENTHESIS ARE MILLIMETERS.



REV	DATE	BY	CHK	APR	DESCRIPTION	ECN
08	10/22	JHNU	JHNU	JADE	C. ADDED MOUNTING BRACKET DIMENSIONS B. ADDED HOLE SPACING DIMENSIONS	126787
07	8/22	JHNU	JHNU	ALP	A. ADDED MOUNTING HOLE DISTANCE DIMENSIONS	125516
06	3/22	JHNU	JHNU	ALP	REVISED NOTE 3: MEETS BICSI/ANSI/TIA-607-D WAS MEETS BICSI/J-STD-607-A	119913
05	3/13	JHNU	JHNU	RGB	REVISED TITLE BLOCK	N41505BA-C41505

TITLE		GROUNDING BUSBAR (GB2B0306TPI) CUSTOMER DRAWING	
ITEM REVISION NAME	N41505BA/08		
DATASET FILE NAME	C41505 r08.SLDDRW		
UNLESS OTHERWISE SPECIFIED, DIMENSIONAL TOLERANCES ARE: IN [mm]			
.X ±	.XXX ±	MATERIAL	
.XX ±	ANGLES ±	SEE NOTES	
DRAWN BY JHNU		DATE 2/05	SCALE NONE
THIRD ANGLE PROJECTION		DRAWING NUMBER C41505	
SHEET 1 OF 1			SIZE B