

# Installation, Operation, and Maintenance Guide

## For indoor/outdoor dry-type transformers which utilize DH series, NH series CN Series or NJ1, NJ2, NJ3, NJ4 type enclosures.

This manual covers the recommendations for the installation, operation and maintenance of dry-type low voltage transformers. It is emphasized that these abbreviated instructions should be used in conjunction with all local and National codes and should be referenced accordingly.

	Page
Warnings	2
Safety Instructions	3
General	4
Handling	4
Receiving & Inspection	4
Storage	4
Installation	5
Ventilation	6
Accessibility	6
Transformer Sound Levels	6
Cable Connections	6
Grounding	8
Altering the Transformer	8
Before Energization	8
Operation	9
Maintenance	9
Dry-out of Transformers	10
Accessories	10



*The pictures used in this guide are only a representation and may vary from the actual product.*

### *Disclaimer of Liability*

*The recommended practices in this manual are for general applications and are supplied without liability for errors or omissions. Technical data are subject to change at any time without notice and any necessary corrections will be included in subsequent editions.*

*Special requirements should be referenced back to the manufacturer and/or their representative.*

\*Note: this guide is Trilingual  
(English, French, Spanish)

Literature No.: **DIM16**  
Issue Date: November 2021

This guide covers the recommendations for the installation, operation and maintenance of VPI indoor/outdoor dry-type transformers which utilize DH, NH, NJ or CN type enclosures. It is emphasized that these abbreviated instructions should be used in conjunction with all standards and local codes covering such work and should be referenced accordingly.




These recommended practices are for general applications and any special requirements should be referenced back to the transformer manufacturer and/or their representative.

It is further recommended that installation work be governed by all applicable National, State and Local codes standards and regulations and ANSI/IEEE C57.94. This is the IEEE recommended practice for Installation, Application, Operation and Maintenance of Dry-type General Purpose Distribution and Power Transformers. All work should be performed in accordance with NFPA 70E Standard for Electrical Safety in the Workplace and CSA Z462, Workplace Electrical Safety. Always use appropriate personal protective equipment (PPE).

This manual contains warnings to observe in order to ensure personal safety and prevent property damage. Read these instructions carefully and look at the equipment to become familiar with the device before trying to install, operate, service or maintain it. The notices referring to personal safety are highlighted in the manual by a safety alert symbol, notices referring only to property damage have no safety alert symbol. These notices shown below are graded according to the degree of danger. If more than one degree of danger is present, the warning representing the highest degree of danger will be used.

**Important Note:**

Electrical equipment should be installed, operated, serviced, and maintained, only by qualified personnel. No responsibility is assumed by the manufacturer for any consequences arising out of the use of this material.

	<b>DANGER</b> DANGER indicates an imminently hazardous situation which, if not avoided, will result in death or serious injury, and/or substantial property damage.
	<b>WARNING</b> WARNING indicates a potentially hazardous situation which, if not avoided, can result in death or serious injury, and/or substantial property damage.
	<b>CAUTION</b> CAUTION indicates a potentially hazardous situation which, if not avoided, can result in minor or moderate injury and/or property damage.

## Safety Precautions



### DANGER

#### HAZARD OF ELECTRIC SHOCK, EXPLOSION OR ARC FLASH

*Refer to nameplate for ratings and voltages.  
This equipment must only be installed and serviced by qualified electrical personnel.  
Follow all requirements in NFPA 70E and CSA Z462 for safe work practice and personal protective equipment (PPE).  
Turn off all power supplying this equipment before working on or inside equipment.  
Always use a properly rated voltage sensing device to confirm power is off.  
Replace all devices, doors, and covers before turning on power to this equipment.*

*Failure to follow these instructions will result in serious injury or death.*

- 
1. Do not lift or move a transformer without proper equipment and properly trained personnel. Ensure that the transformer is only lift/ed using the listing provisions provided. Always use lifting provisions provided by the manufacturer. Rolling and skidding are recommended only on transformers with a pre-ordered skidding base.
  2. Do not off-load the transformer until it has been fully inspected for damages. If any damages are identified the transformer should not be energized and the transformer manufacturer should be contacted immediately.
  3. Only use terminals for electrical connections. Flexible connectors are recommended for bus connections. The transformer terminals are not designed to support the weight of line or load cable. Uni-strut supports can be added in the field providing proper clearances are maintained.
  4. Connections should only be made in accordance with the nameplate diagram or connection drawings and the applicable local codes and standards.
  5. Make sure all power (including back-fed control and possible capacitor charge) is disconnected and all windings are grounded before attempting any work on the transformer or inside the enclosure.
  6. Make certain all ground connections, line terminals and selected tap connections are completed and tightened before energizing the transformer.
  7. Do not attempt to change any primary or secondary connections or taps while the transformer is energized.
  8. Do not tamper with control panels, alarms, interlocks, or control circuits.
  9. Do not adjust or remove any accessories or cover plates while the transformer is energized.
  10. No cables should come in contact with the core or coil or any live parts except the terminal that it is intended for. Ensure that minimum clearances are maintained at all times. (refer to Field Testing section)
  11. This equipment must only be installed and serviced by qualified electrical personnel.
  12. Follow all requirements in NFPA 70E and CSA Z462 for safe work practice and personal protective equipment (PPE).
  13. Replace all devices, doors, and covers before turning on power to this equipment.
  14. In the case of work being performed around the transformer that might result in foreign objects falling inside the core and coil assembly, after de-energizing the transformer, cover the core and coil with a suitable protective drop cloth. The drop should be removed and the transformer visually inspected for any foreign objects before re-energizing the transformer.
  15. Modifications of any kind to the equipment are not permitted. Beside voiding the warranty such actions may result in hazardous situations of which the person(s) performing the modifications will be solely liable.

## General



**DANGER**

### HAZARD OF ELECTRIC SHOCK, EXPLOSION OR ARC FLASH

*Refer to nameplate for ratings and voltages.  
This equipment must only be installed and serviced by qualified electrical personnel.  
Follow all requirements in NFPA 70E and CSA Z462 for safe work practice and personal protective equipment (PPE).  
Turn off all power supplying this equipment before working on or inside equipment.  
Always use a properly rated voltage sensing device to confirm power is off.  
Replace all devices, doors, and covers before turning on power to this equipment.*

### Failure to follow these instructions will result in death or serious injury.

Dry-type transformers are manufactured to provide optimum performance for a lifetime of uninterrupted service. Careful attention to the following instructions is recommended for safe and reliable operation.

Installation, operation and maintenance of transformers should be performed by authorized personnel, trained and qualified in the installation, repair and maintenance of electrical equipment.

As any other electrical equipment, transformers must be installed according to the requirements of all applicable national and local electrical codes. ANSI/IEEE C57-94 may also be referred to for recommended installation, application, operation and maintenance of dry-type transformers.

### Autotransformers

If the application needs a neutral (including 3 phase 4 wire systems), the autotransformer must be ordered with the optional neutral terminals.

This option will provide the customer with a common (H0/X0) neutral connection point that is connected by the factory to the middle point of the Y winding configuration.

When selecting this option, both the Line and Load side neutral cables must be connected to the respective neutral terminals in order to ensure the proper operation of the autotransformer.

Please refer to the local electrical code requirements for grounding and the short circuit protection of a three phase autotransformer.

## Handling



**WARNING**

*Failure to follow lifting procedures can result in death, serious injury, or property damage.*

Transformers are palletized and can either be lifted via a forklift truck or hoisted by the lifting lugs provided. Appropriate lifting equipment should be used relative to the size of each transformer. For safety purposes and to protect the transformer, spreader bars are recommended. No attempt should be made to lift or move a transformer from any points on the unit other than those indicated. Refer to pages 16 to 19. Avoid subjecting transformer to impact, jolting and other rough handling that may damage the transformer. Ensure the transformers are transported in upright position - avoid tilting and tipping.

## Receiving & Inspection

Immediately after receiving the transformer, it should be inspected for any transit damage and for correctness against the shipping documents.

The unit should be examined for any breaks in its packaging, dented or damaged enclosures or missing parts from the packing list.

If any damage is noted, a claim should be filed immediately with the carrier and a second copy of all pertinent information relative to the order and the circumstances should be immediately communicated to the transformer manufacturers local sales office.

If the examination of the unit takes place outdoors, caution should be exercised to protect the unit against factors that may present further hazard.

## Storage



**WARNING**

*Failure to follow lifting procedures can result in death, serious injury, or property damage.*

Transformers that will not be immediately installed and energized, should be stored in a clean dry environment away from any environmental airborne contaminants. Transformers should be stored in such a way not to represent any type of hazard. Stacking transformers one on top of another without proper

shelving is not permitted.

It is recommended that transformers be stored in a heated building with uniform temperature and adequate air circulation to prevent condensation with the protective plastic wrap still installed for long term storage. If storage in a heated building is not possible, transformers must be properly protected from contaminants and moisture preferably in a non heated building. We recommend that electric heating be installed inside the transformer to maintain a uniform temperature above the ambient and to prevent condensation. In extreme cases they may be stored in temperatures no lower than  $-40^{\circ}\text{C}$  ( $-40^{\circ}\text{F}$ ). Special care should be given to prevent the formation of condensation inside the stored transformers. Units that are to be energized after being stored at a low temperature or after being stored for a long time must be warmed to  $-25^{\circ}\text{C}$  ( $-13^{\circ}\text{F}$ ) with warm air or radiant heat. Once the unit reaches this temperature and is free of condensation and any other contaminants resulting from the storage process, it is safe to be energized.

## Installation



**DANGER**

### **HAZARD OF ELECTRIC SHOCK, EXPLOSION OR ARC FLASH**

*Failure to follow these Installation instructions and all applicable local and national codes when installing and connecting a transformer will result in death or serious injury and/ or substantial property damage.*

Enclosures are designed and approved in accordance with specifications CSA 22.2 No. 47 (General Purpose), CSA 22.2 No. 94 (Specialty Enclosures), NEMA 250 and UL 50. For IEC enclosure equivalents please see IEC 60529 (Enclosure Classifications Designations).

#### **a) Enclosed Indoor/Outdoor Dry-Type Transformers**

Most dry-type transformers are supplied with either a type 1,2, 3R, 4 or 12 enclosure. Units may be installed indoors, or outdoors where applicable. If equipped with a type 1 or type 2 enclosure, these units are for indoor use only.

Ventilated enclosures are recommended for indoor installation but may also be installed outdoors based on the rating of the enclosure and the recommendations of the Consulting Engineer overseeing the project.

For any outdoor location, the appropriate applicable codes must be followed including cable installation and hardware suitable for outdoor service. Before outdoor

installations, verify that adequate site drainage exists to prevent groundwater from entering the transformers.

Water tight couplings are strongly recommended to be installed at the knockouts or any other holes drilled any holes in the enclosure for incoming/ outgoing cables. When drilling holes, the core and coil must be covered with plastic wrap.

Dry-type transformers must be installed in an upright position on walls, floors, posts, beams or other locations capable of supporting their weight with the proper accessories attached. Refer to Appendix B and C (page 13 and 14) for wall mounting kits.

Conventional open ventilated dry-type transformers have a bottom screen for air convection. When transformers are mounted above the ground or over a combustible surface, a 14 gauge catcher plate drip plate (sourced locally) should be installed under each transformer as a safety precaution against any hot particles that may fall through the screen in the event of a faulted condition. Refer to Appendix B and C (page 13 and 14).

It is important that ventilated transformers are installed in a dry area where the ambient air is clean. Do not install ventilated transformers in environments with excessive moisture and contaminants including, but not limited to dust, oil, corrosive gasses and other chemical vapors. Transformers should not be installed in such a place having the possibility of water logging inside the enclosure.

In the event that a transformer has been subjected to moisture or dampness before installation, ensure that it is completely cleaned and dried before energization. In this case we recommend blowing warmed air through the transformer to dry internal components. Refer to the section on dry-out of transformers.

#### **b) Indoor/Outdoor Transformers with Non-Ventilated Type 4, 4X or 12 Enclosures.**

Transformers equipped with non-ventilated type 4, 4X or 12 enclosures may be located either indoors or outdoors in any similar location noted above. Non-ventilated enclosed transformers, although slightly larger, offer much greater protection against a variety of elements such as dust, dirt, snow, moisture, rain etc.

For any outdoor location, the appropriate applicable codes must be followed including cable installation and use of hardware suitable for outdoor service.

## Ventilation



### **WARNING**

*Failure to follow the ventilation instructions can result in death, serious injury or property damage.*

Transformers are required to be installed in an area where they can be cooled by means of free air circulation with the average ambient temperature of 30°C (86°F) which should not exceed 40°C (104°F) at any time.

Adequate ventilation is essential for transformers to meet their nameplate kVA capability. The distance a transformer should be located away from any wall or any other obstruction is stated on the nameplate. The minimal distance is required to allow free, clean circulation of air through the ventilation openings or around a non-ventilated unit. No other obstructions, line/load cables or ventilation blocking structures are allowed in the ventilation space.

Where bottom entry is allowed for cables, the space used for conduits in the front of the transformer should not obstruct more than 50% of the front ventilation area defined between the bottom plate and the supporting legs. Please see the Cable Connection Requirements section on page 6 for instructions.

## Accessibility



### **CAUTION**

*Failure to follow accessibility instructions can result in injury and/or property damage.*

NEC standards require that transformers be accessible for inspection and located accordingly.

However, transformers should not be located in areas where stored items are likely to interfere with either natural air convection or the capability to have them inspected. Passage ways or other areas where people could be exposed to live parts during inspection should also be avoided.

Adequate protection should be provided under any circumstances.

## Transformer Sound Levels

Transformers are an electrically energized apparatus and by their nature during normal operation will emit a certain level of sound.

Transformers are required to meet NEMA standards for the maximum sound levels permissible. These sound level standards vary from 40 to 67 dB and as such may be an annoyance if located in close proximity to where people work or reside.

Care should therefore be exercised in selecting sites for transformers particularly in sensitive areas like hospitals, classrooms, medical or office facilities.

The following guidelines may be helpful:

- ➔ Units should be mounted away from corners or reflecting walls or ceilings.
- ➔ Cable or other flexible conduit should be considered to make the incoming/ outgoing connections.
- ➔ All dry-type transformers are provided with isolation anti-vibration pads between the core and coil assembly and the enclosure. However, sound absorbing vibration isolators may also be installed between the transformer and its mounting surface.
- ➔ Depending on the environment, to reduce noise acoustically absorbing materials could be considered for walls and ceilings around the unit.
- ➔ The location of the unit should be as far as practical from areas where sound levels could be considered undesirable.

## Cable Connections



### **DANGER**

### **HAZARD OF ELECTRIC SHOCK, EXPLOSION OR ARC FLASH**

*Failure to follow these instructions will result in death, serious injury or property damage.*

*Never attempt to change connections or taps unless the transformer is de-energized and all windings grounded.*



**DANGER****HAZARD OF ELECTRIC SHOCK, EXPLOSION OR ARC FLASH**

*After installation of cables and connectors, the minimum clearance prescribed by the applicable codes and standards for the respective voltage class must be maintained from energized parts to all case parts.*

*Failure to install cables and connectors as per all applicable codes and standards and the attached guidelines will result in serious personal injury or death and property damage.*

The connecting cable size is determined from the line current rating of the transformers primary and secondary windings and may be selected from the information in appendix A (page 12). Use wire rated for at least 90°C (194°F) and sized on the basis of 75°C (167°F) ampacity. Use with AL9CU-AL-CU lugs. Electrical Connector Lugs, if provided, are to be used with SIW, Class B or Class C cables or wires only.

Conveniently located pre-punched knockouts are provided on all ventilated transformer enclosures up to 150 kVA three phase and 100 kVA single phase, to facilitate cable entry.

For non-ventilated transformers, pre-punched knockouts are not provided and the appropriate cable connector suitable for the application must be used. Please refer to Appendix E (page 16 to 19) for cable entry locations. If a transformer must be relocated to make the necessary cable connections, all safety requirements and the related lifting procedures must be followed.

**Cable Connection Requirements**

Side entry of cables is recommended as it leaves the ventilated areas unobstructed.

- ➔ For standard ventilated DH type 3R ( or type 2) enclosures, bottom entry is permitted only in the areas defined in Appendix E.
- ➔ The proper performance of the transformer is dependent on unrestricted airflow entering the bottom ventilation slots and exiting through the top ventilation slots.
- ➔ Blocking the bottom ventilation intake with bottom entry conduits/ cables in the area defined between the bottom entry plate, the inside of the transformer legs and the ground floor may result in overheating the transformer.

- ➔ For DH type enclosures where bottom entry is permitted in the designated areas, a maximum of 50% of the front bottom area described above may be blocked with conduits/ cables. In extreme cases no more than 70% of this area may be obstructed, but only under the condition that in this case the clearance listed on the nameplate is maintained on all sides of the transformer (both sides, front and back).
- ➔ Offset connectors are also available to help with cable connections to terminal pads, to reduce the bending space for the cables

Cable connection lugs of plated copper or aluminum may be used to connect to the transformer terminals. Terminals should be cleaned and electrical joint compounds are recommended for use on all electrical connections.

Refer to the transformer nameplate for primary and secondary voltage connection combinations and primary and/or secondary tap positions as applicable.

Transformers received from the factory will have tap leads installed on the nominal, or 100%, voltage position. The taps may still be coated with impregnation material and insulation.

To change taps, it is necessary to gently remove all contaminants and insulation from the surface of the top and bottom of the taps (eye-loop or lugs) by sanding the lugs to the bare metal.

The surface of the tap lead should be clean and coated subsequently with electrical compound on all non-plated contacts between the jumper terminal and the tap. Assemble jumpers to taps as per Appendix D (Drawing 1 for single conductor eye-loops and tap lugs or Drawing 2 for double conductor eye-loop taps).

The following table may be used as a guideline for minimum clearances at altitudes not exceeding 1000 m (3300 ft.). Above 1000 m (3300 ft.) please consult factory.

<b>Transformer Voltage Class</b>	<b>Minimum Clearance (mm)</b>	<b>Minimum Clearance (in.)</b>
1.2 KV	25	1
2.5 KV	51	2
5.0 KV	102	4
8.7 KV	135	5.3
15 KV	203	8
18 KV	254	10
25 KV	305	12
34.5 KV	406	16

Note: "Some specific component parts of a transformer may require clearances different than those indicated above. For those exceptions, you should comply with the instructions provided in the assembly drawings or installation procedure."

## Grounding



**DANGER**

### **HAZARD OF ELECTRIC SHOCK, EXPLOSION OR ARC FLASH**

*Failure to properly ground the transformer as per all applicable codes and standards will result in serious personal injury or death.*

All core and coil assemblies are solidly grounded to the enclosure internally to ensure that all conductive metal parts have the same potential.

To ensure the safety in operation, the transformer must be properly grounded before energizing. Most transformers have a main ground location identified accordingly. If a main ground location is not provided, it is the responsibility of the installing contractor to make and verify the necessary ground connections.

This grounding should be in accordance with all national and local electrical codes and standards.

## Altering the Transformer



**DANGER**

### **HAZARD OF ELECTRIC SHOCK, EXPLOSION OR ARC FLASH**

*Misapplication or misuse of this equipment may result in serious personal injury or death and property damage.*

The application of this equipment is the responsibility of the customer or their agent. Misapplication or misuse may result in serious personal injury or death and/or property damage.

Any modifications to this equipment need to be compliant with all applicable codes and standards, and certain modifications may jeopardize Warranty terms. It is the responsibility of the individual(s) performing any equipment modifications to (i) ensure that the applicable performance and safety requirements are still met by the modified equipment; and, (ii) confirm that proposed modifications will not void the Manufacturer's Warranty.

## Before Energization



**DANGER**

### **HAZARD OF ELECTRIC SHOCK, EXPLOSION OR ARC FLASH**

*Failure to install the transformer in accordance with all applicable codes/ standards and the instructions in this booklet will result in serious personal injury or death and property damage.*

**For the safe and proper operation of the transformer, please check and verify the following:**

- a) Ensure correct phase connections. Refer to the nameplate vector diagram.
- b) The load on a delta secondary winding with a 120 volt center tap should not exceed the normal current rating of the winding. This center tap is designed for a max. of 5% of the nameplate kVA.
- c) When windings are connected in parallel (as in the case of dual voltage primaries), the primary taps for all coils must be connected to the identical percentage tap positions to avoid the shorting of turns, or voltage imbalances. For tap positions, refer to the nameplate on the transformer.
- d) The enclosure should be grounded with the appropriately sized conductor as per local codes and standards requirements.
- e) The total load among all the phases should be balanced as much as possible for optimum performance of the transformers windings. The kVA loading on each phase must not exceed 1/3 of the nameplate kVA rating of the transformer.
- f) The appropriate clearance and tightness of all electrical connections should be checked.
- g) Following the proper safety precautions, after energizing and before connecting any loads, please measure and verify the output voltage matches nameplate specifications.
- h) If there is any reason to suspect that the transformer has been exposed to moisture during transit or storage, it should be checked for dryness before energization. This can be done by performing an insulation resistance test (Megger Test). If any exposure to moisture is suspected, the transformer must be dried out before energization by following the dry-out procedures on page 10.



## Operation



### DANGER

#### HAZARD OF ELECTRIC SHOCK, EXPLOSION OR ARC FLASH

*Failure to properly operate the transformer as per all applicable codes and standards and the attached instructions will result in serious personal injury or death.*



### WARNING

*Failure to identify and correct the root causes for the transformer overheating can result in death or personal injury, property damage or severely reduced transformer life expectancy.*

Under full load operating conditions, dry-type transformers may appear warm to the touch, particularly on the cover of the unit.

Standards permit the temperatures of the cover to reach 65°C (149°F) over ambient.

Dry-type transformers are designed to operate continuously at their full nameplate kVA rating under normal operating conditions.

ANSI C57.96 provides guidelines for loading transformers under different operating conditions including:

- ➔ Ambient temperatures that differ from the ambient temperatures required for transformer operation. ANSI recommends a maximum ambient of 40°C.
- ➔ Short time overload as it relates to time and temperature and the corresponding loss of life of the transformer.
- ➔ Overload that results in a reduction of life expectancy of the transformer.

If the transformer is experiencing increased operating temperatures, the following contributing factors should be considered and immediately corrected:

- ➔ Rigorous motor starting loads or other impact type loading. For this type of applications a specific transformer type is required.
- ➔ Over-excitation of unit due to excess supply line voltage or current.
- ➔ Ambient temperatures above standard.

- ➔ Overload beyond ANSI C57.96 guidelines.
- ➔ Harmonic distortions of the supply line voltage and currents.

If overheating is noted, any attempt to add supplemental fan cooling must be in accordance with factory installation guidelines. Incorrectly installed fans can misdirect the airflow and cause serious deterioration of the insulation life expectancy in a transformer coil.

Dry-type transformers may be shut down and stored for extended periods of time without any deterioration. Care must be exercised to clean and dry units prior to energization, as previously outlined. Proper packaging and moisture prevention measures during storing are essential.

## Maintenance



### DANGER

#### HAZARD OF ELECTRIC SHOCK, EXPLOSION OR ARC FLASH

*Failure to de-energize, isolate and ground the transformer terminals and to verify the ground potential on all terminals before performing any work on the transformer will result in serious personal injury or death.*

*Inserting any objects through the ventilation openings while the transformer is energized will result in serious personal injury or death.*

Under normal operating conditions and environments, dry-type transformers require periodic care and inspection. This is essential if the unit is installed in harsh environmental conditions (for ex. outside, environments with high levels of pollutants and dust, etc.).

Peripheral inspection and external dust removal may be performed while the transformer is in operation. However, access covers must not be opened or any objects inserted through the transformer ventilation openings under energized conditions.

**Internal maintenance must be performed only with the transformer de-energized, isolated and with all the terminals grounded.**

Maintenance typically includes internal cleaning, tightening of links and bolted connections to prescribed torque levels, servicing and inspection of auxiliary devices and an infrared scan or thermal image of the transformer.

Air ducts should be maintained free of any accumulation of dust and debris and all bolted connections

at terminals must be in good condition. We recommend under scheduled annual maintenance or at shorter regular intervals that connections be checked for proper torque values and any signs or oxidation, arcing and improper electrical connection. If any improper connections are identified they must be corrected immediately.

Vacuuming or blowing of compressed air from the top down is an accepted practice for removing dust from the ducts of a transformer coil. Low pressure, dry air should be used to avoid further contamination of the windings by foreign objects.

The ground connection should also be checked to ensure a low impedance connection. The accumulation of ice, snow or any other objects blocking the ventilation should be cleaned up immediately during the operation of the transformer to ensure proper ventilation.

On outdoor units where filters have been installed, their continuous exposure to the outside atmosphere can cause the filters to get dirty quickly. A periodic check of the filters will help avoid filter clogging and thus transformer overheating. Also, never run the transformer without the filters properly installed.

<b>RECOMMENDED TORQUE VALUES FOR BOLTED ELECTRICAL CONNECTIONS</b>			
<b>BOLT SIZE</b>	<b>CARBON ST.</b>	<b>BRASS</b>	<b>S.S STEEL</b>
	<b>GRADE 5</b>	<b>ALLOY CU270</b>	<b>B8 OR B8M</b>
	<b>ft-lbs [Nm] ±5%</b>	<b>ft-lbs [Nm] ±5%</b>	<b>ft-lbs [Nm] ±5%</b>
1/4-20	7 [10]	3.8 [5]	5 [6]
3/8-16	20 [27]	14 [18]	15 [20]
1/2-13	60 [70]	33 [45]	37 [50]
8 mm	20 [23]	12 [14]	12 [14]
12 mm	60 [70]	33 [45]	37 [50]

**\*Note: The above torque values are for dry, unlubricated bolts.**

## **Dry-Out of Transformers**



**DANGER**

### **HAZARD OF ELECTRIC SHOCK, EXPLOSION OR ARC FLASH**

*Failure to follow the attached dry-out procedures before energizing transformers previously exposed to moisture will result in serious personal injury or death and property damage.*

In the event that transformers have been exposed to moisture such as condensation or rain, it is required to dry-

out the transformer prior to energization.

Drying may be accomplished by using any hot or warmed air, radiant heat or internal heat that is directed through the windings. Heated air should be allowed to rise up through the windings for a minimum of twenty four (24) hours after the evidence of moisture is no longer visible.

Transformers that have been exposed to flood conditions, direct rain or sprinklers, may not be able to be dried out appropriately. The insulation resistance, core to primary, core to secondary and primary to secondary, should be greater than 10k ohms. Contact the transformer manufacturer for appropriate action instructions.

## **Accessories**



**DANGER**

### **HAZARD OF ELECTRIC SHOCK, EXPLOSION OR ARC FLASH**

*When installing transformers (regardless of the location) the installing contractor is responsible for the proper installation in accordance with the attached instructions and all applicable codes and standards (including Seismic). Failure to do so will result in serious personal injury or death and property damage.*

Dry-type distribution transformers are available with a number of accessories to facilitate installation. Consult your local distributor for the purchase of any of the items accessories that are stocked in inventory. Some frequently used accessories include:

#### **1) Wall Mounting Brackets**

entilated dry-type transformers are normally designed to be floor mounted only. However, depending on the enclosure type some ventilated units up to 112.5 kVA are supplied in enclosures that have integral wall mounting capabilities or may be wall-mounted using kits. These units can be conveniently mounted on walls, beams or poles. For seismic ratings (where applicable) please refer to the unit's nameplate.

Conventional ventilated dry-type transformers have a bottom screen for air convection. When transformers are mounted above the ground surface a catcher plate (drip plate) should be installed under each transformer as a safety precaution against any hot particles that may fall through the screen in the event of a faulted condition. Refer to Appendix B and C (page 13 and 14).

## 2) Sound Isolation Pads and Vibration Isolation Kits

For maximum absorption of vibration and reductions of sound levels, additional sound isolation pads are recommended for installation between the transformer and the mounting surface.

These molded neoprene and steel plate assemblies virtually eliminate vibration noise between the transformer and the mounting surface.

Consult the transformer manufacturer's product catalog for the part number of the correct isolation pad required.

## 3) Connectors (Lugs)

Connectors for the installation of dry-type transformers are readily available. These connectors are suitable for use with either copper or aluminum cables.

Connectors should be sized, installed and connected to cables in accordance with your local electrical code requirements using the best practices to ensure safe and reliable operation. Cable surfaces should be properly cleaned and electrical compound should be used for all connections.

Replacing the transformer manufacturer supplied lugs with lugs suitable for a specific customer application (provided they are suitable for the current that the transformer is designed for) is acceptable and can be done by the customer without voiding factory approvals.

### Selecting Connectors

- a) Determine the primary current for the required transformer from the Appendix A.
- b) Similarly, determine the secondary current rating for the transformer from Appendix A.
- c) For 120/240 voltage connections the current should be based on 120 volts.
- d) For 240/480 volt connections, the current should be based on 240 volts.

**APPENDIX A****AMPACITY RATINGS FOR CONNECTIONS**

- A. For a single phase transformer

$$\text{Line Amperes} = \frac{\text{Volt Amperes}}{\text{Line Volts}}$$

- B. For a three phase transformer

$$\text{Line Amperes} = \frac{\text{Volt Amperes}}{1.732 \times \text{Line Volts}}$$

**Full Load Current Table  
Single Phase Transformer**

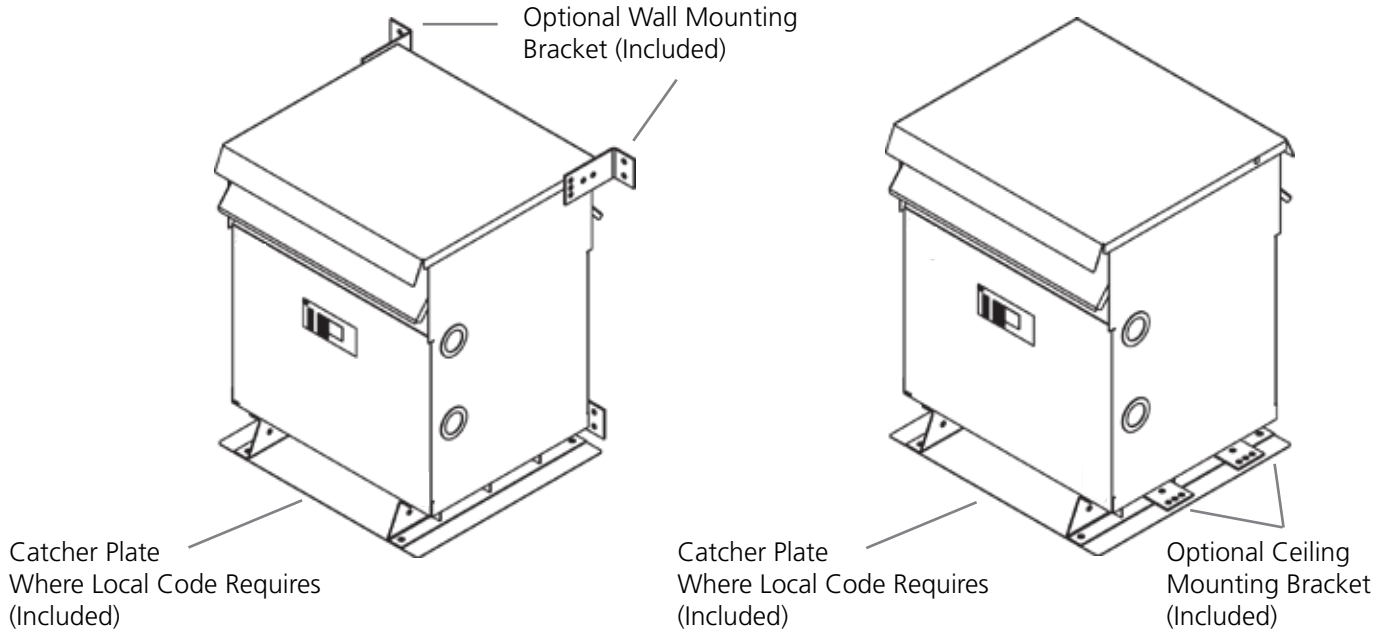
kVA	Current in Amperes					
	120V	240V	480V	600V	2400V	4160V
0.50	4.17	2.08	1.04	0.83	-	-
0.75	6.25	3.13	1.56	1.25	-	-
1.0	8.33	4.17	2.08	1.67	-	-
1.5	12.5	6.25	3.13	2.50	-	-
3.0	25.0	12.5	6.25	5.00	1.25	0.72
5.0	41.7	20.8	10.4	8.33	2.08	1.20
7.5	62.5	31.3	15.6	12.5	3.13	1.80
10	83.3	41.7	20.8	16.7	4.17	2.40
15	125	62.5	31.3	25.0	6.25	3.61
25	208	104	52.1	41.7	10.4	6.01
37.5	313	156	78.1	62.5	15.6	9.01
50	417	208	104	83.3	20.8	12.0
75	625	313	156	125	31.3	18.0
100	833	417	208	167	41.7	24.0
150	1250	625	313	250	62.5	36.0
167	1392	696	348	278	69.6	40.1
250	2083	1042	521	417	104	60.1
333	2775	1388	694	555	139	80.0

**Full Load Current Table  
Three Phase Transformer**

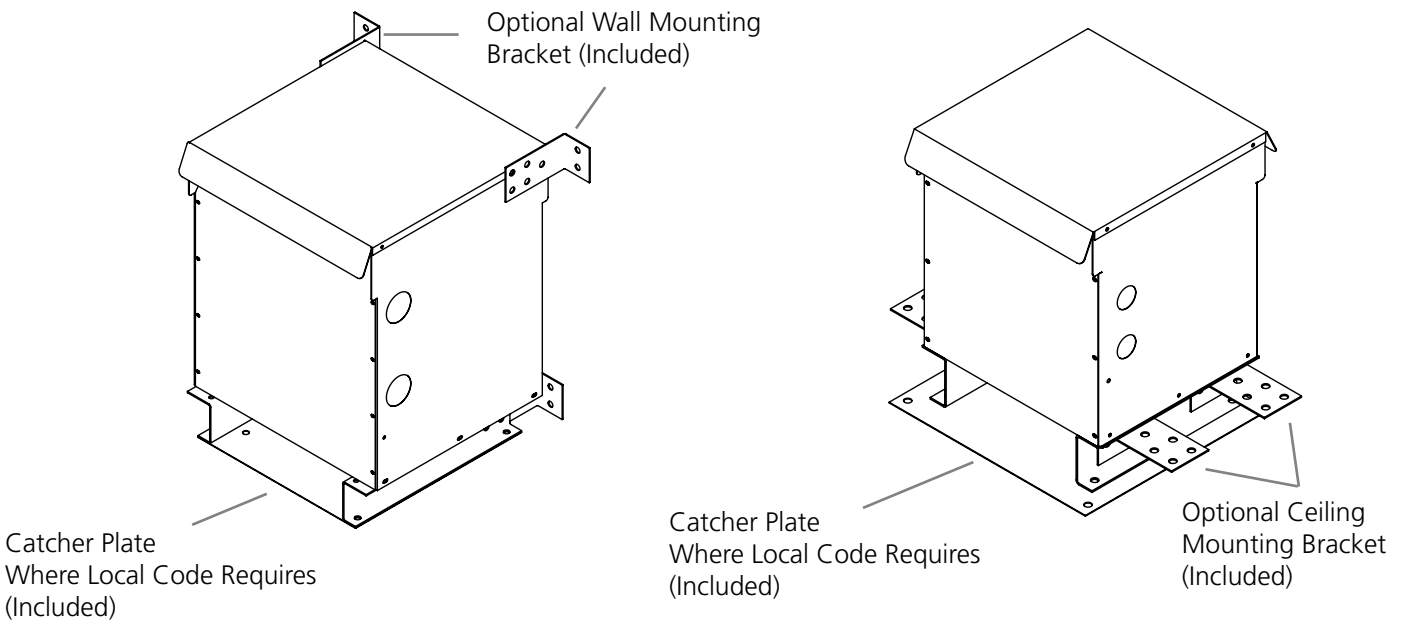
kVA	Current in Amperes					
	208V	240V	480V	600V	2400V	4160V
3	8.33	7.22	3.61	2.89	0.72	0.42
6	16.7	14.4	7.22	5.77	1.44	0.83
9	25.0	21.7	10.8	8.66	2.17	1.25
15	41.6	36.1	18.0	14.4	3.61	2.08
30	83.3	72.2	36.1	28.9	7.22	4.16
45	125	108	54.1	43.3	10.8	6.25
75	208	180	90.2	72.2	18.0	10.4
100	278	241	120	96.2	24.1	13.9
112.5	312	271	135	108	27.1	15.6
150	416	361	180	144	36.1	20.8
225	625	541	271	217	54.1	31.2
300	833	722	361	289	72.2	41.6
450	1249	1082	541	433	108	62.4
500	1388	1203	601	481	120	69.4
600	1665	1443	722	577	144	83.3
750	2082	1804	902	722	180	104
1000	2776	2406	1203	962	241	139
1500	4164	3609	1804	1443	361	208
2000	5552	4811	2406	1925	481	278
2500	6940	6014	3007	2406	601	347
3000	8327	7217	3608	2887	722	416

**APPENDIX B**

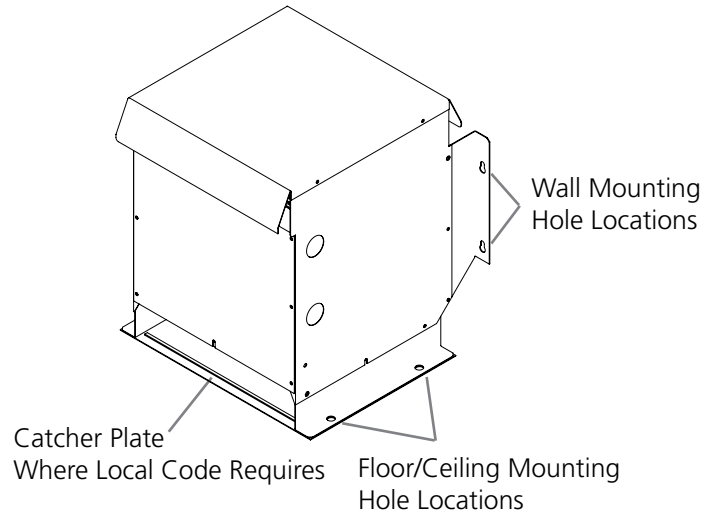
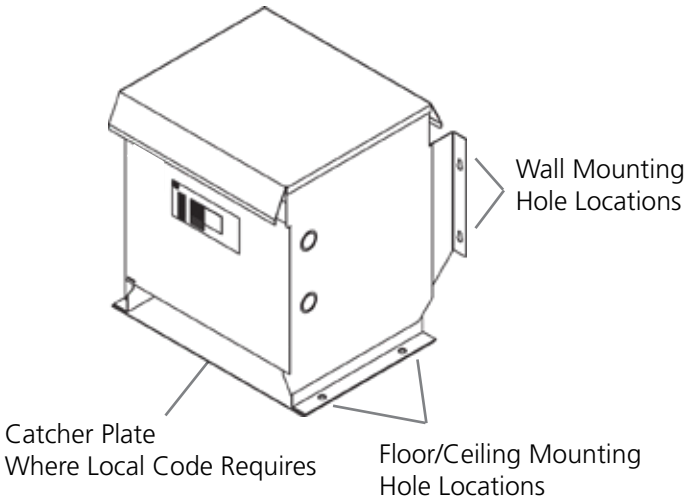
LOCATION OF WALL MOUNTING BRACKETS AND CATCHER PLATES INCLUDED IN THE DW3 ACCESSORY KIT  
FOR DH3 SERIES TYPE 3R (OR TYPE 2) ENCLOSURES



LOCATION OF WALL MOUNTING BRACKETS AND CATCHER PLATES INCLUDED IN THE NW2 ACCESSORY KIT  
FOR NH3 SERIES TYPE 3R ENCLOSURES

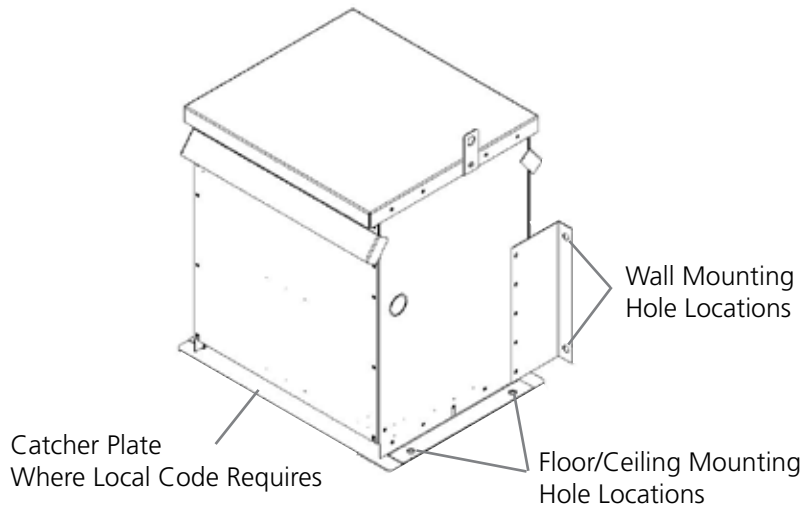


**APPENDIX C**



LOCATION OF WALL MOUNTING BRACKETS AND CATCHER PLATES INCLUDED IN THE DH1DP AND DH2DP FOR DH1 & DH2 SERIES TYPE 3R (OR TYPE 2) ENCLOSURES

LOCATION OF WALL MOUNTING BRACKETS AND CATCHER PLATES INCLUDED IN THE NH5DP AND NH6DP FOR NH5 & NH6 SERIES TYPE 3R ENCLOSURES

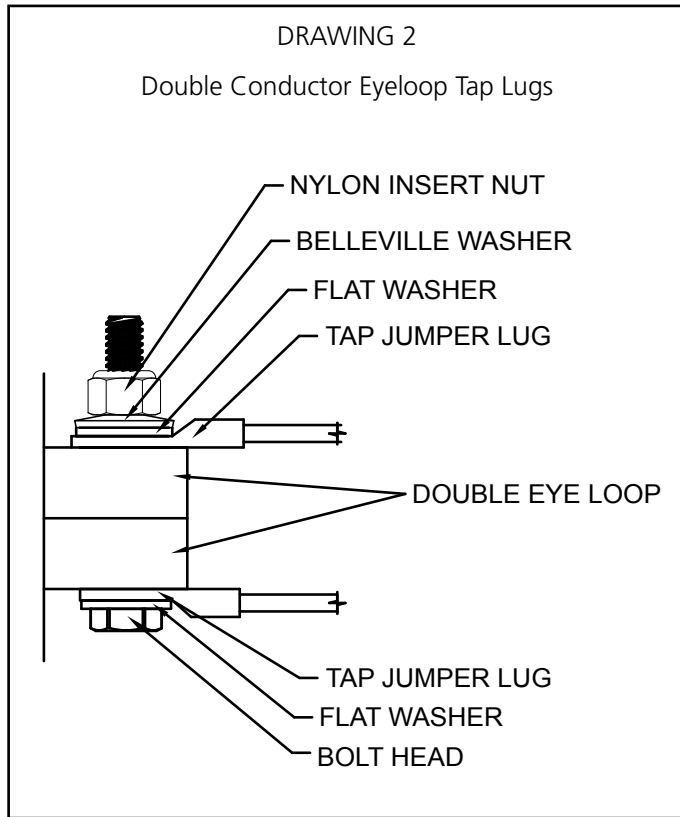
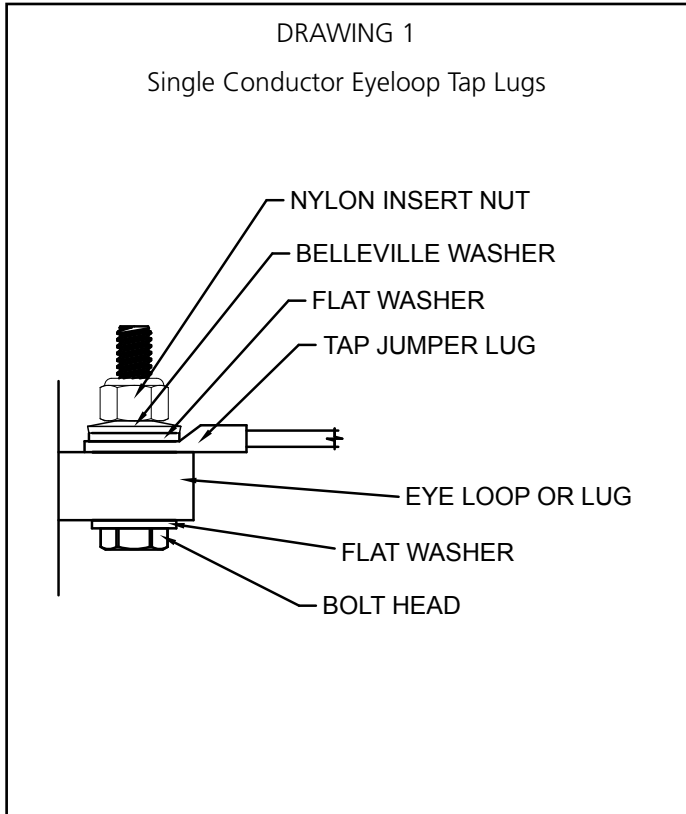


LOCATION OF OPTIONAL WALL MOUNTING BRACKETS AND CATCHER PLATES INCLUDED IN THE CN1DP, CN2DP, AND CN3DP FOR CN1, CN2 & CN3 SERIES TYPE 3R ENCLOSURES



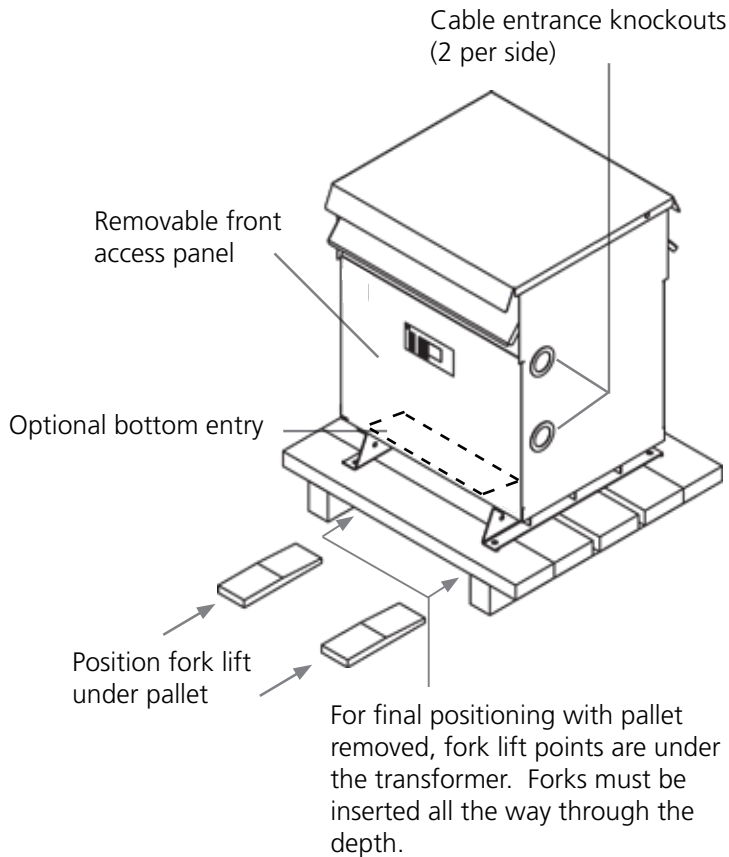
**APPENDIX D**

Jumper Assembly Drawings

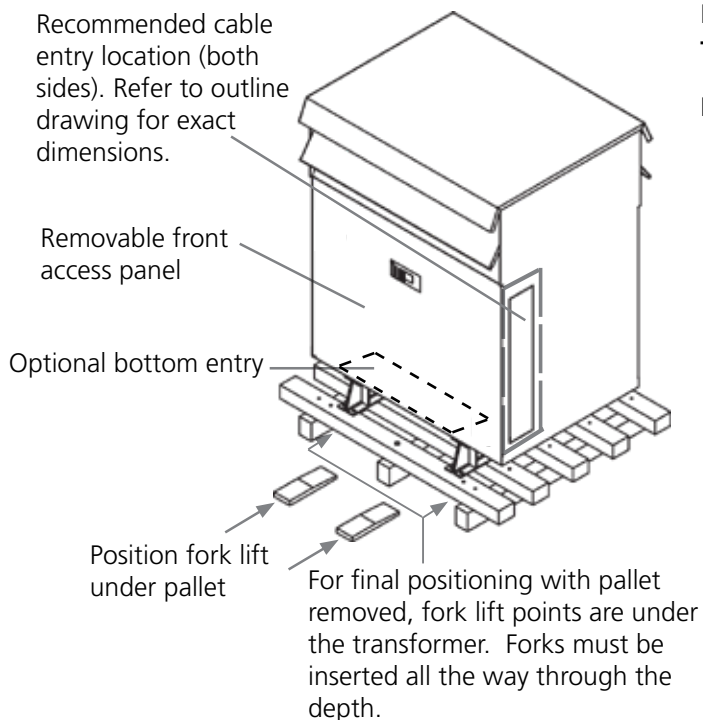


## APPENDIX E

### Suggested Cable Entry Locations



\*Above picture shows a typical DH style type 3R enclosure



\*Above picture shows a Typical DH style 3R enclosure

**FIGURE 1**

#### Typical Type 3R (OR Type 2), DH1 to DH4 Ventilated Enclosure Assembly for Three Phase and Single Phase Transformers.

Notes:

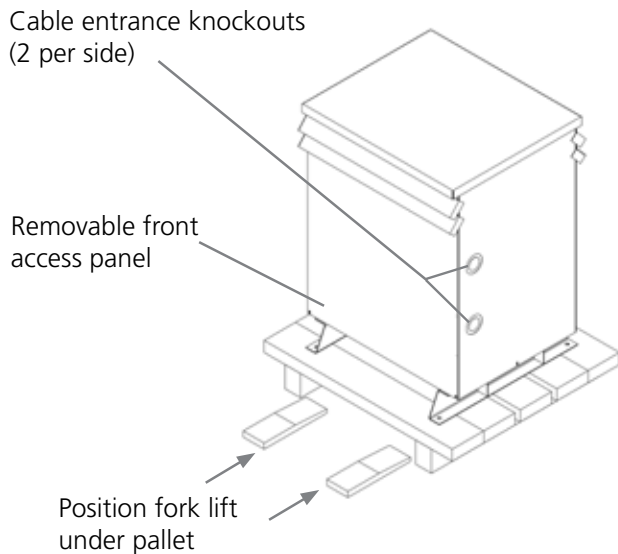
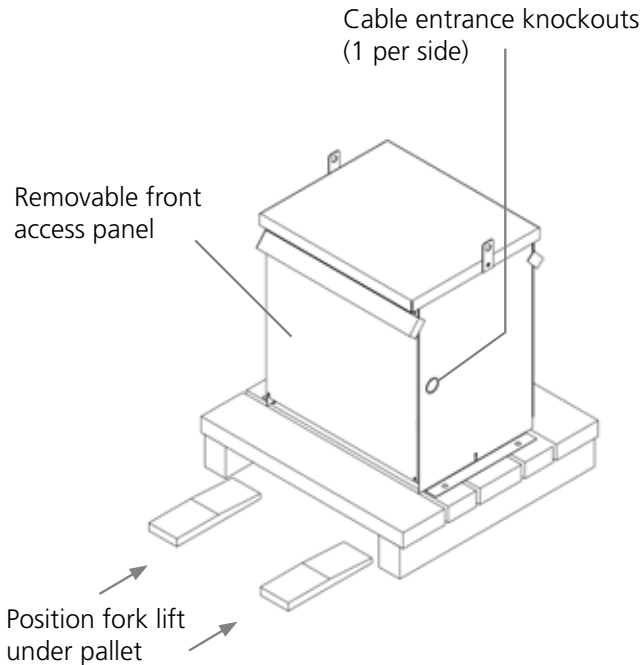
1. Handling - units are designed to be raised by a fork lift from underneath the pallet. Final positioning of the unit with the pallet removed can be via a fork lift under the transformer with the forks between the channels.
2. Shipping - units are shipped on pallets which are to be removed at installation.
3. Installation - This transformer can be installed indoor or outdoor providing a degree of protection against falling rain, sleet and external ice formation.
4. All general purpose/drive isolation transformers should be located away from any wall or any other obstruction, please refer to the nameplate for the minimum distance.
5. DO NOT block bottom ventilation area

**FIGURE 2**

#### Typical Type 3R (or Type 2), DH5 to DH10 Series Ventilated Enclosure Assembly for Three Phase or Single Phase Transformers.

Notes:

1. Handling - units are designed to be raised by a fork lift from underneath the pallet. Final positioning of the unit with the pallet removed can be via a fork lift under the transformer with the forks between the channels. **(Note: Transformers weighing greater than 2350 lbs should be lifted by removing the top panel and accessing the lifting provisions on top of the top of the core and coil.)**
2. Shipping - units are shipped on pallets which are to be removed at installation.
3. Installation - This transformer can be installed indoor or outdoor providing a degree of protection against falling rain, sleet and external ice formation.
4. All general purpose/drive isolation transformers should be located away from any wall or any other obstruction, please refer to the nameplate for the minimum distance. (Note: These enclosures are not intended to be wall mounted. They may be mounted on a customer supplied



platform.)

5. DO NOT block bottom ventilation area.

### **FIGURE 3**

#### **Typical Type 3R, CN1 to CN3 Ventilated Enclosure Assembly for Three Phase and Single Phase Transformers.**

Notes:

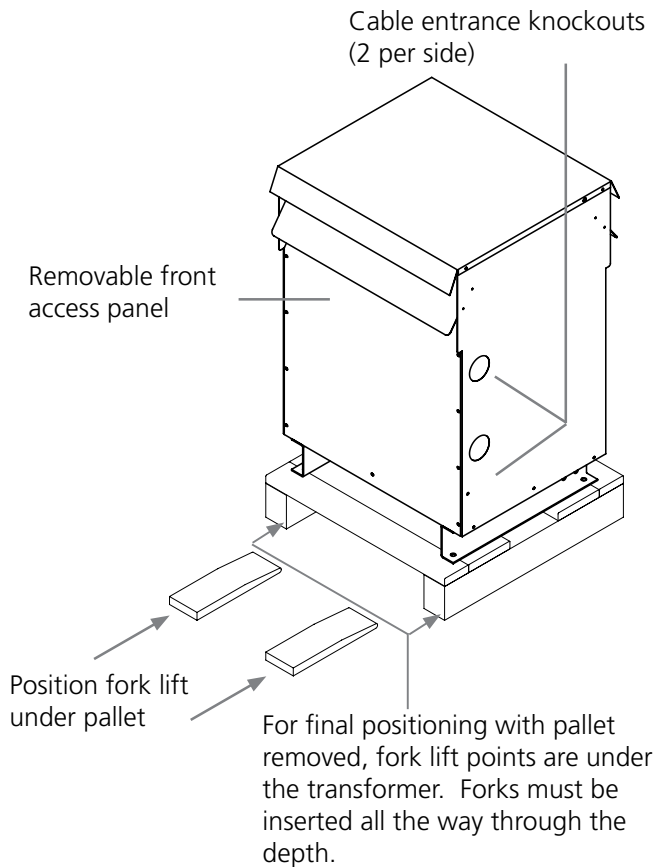
1. Handling - units are designed to be raised by a fork lift from underneath the pallet. Final positioning of the unit with the pallet removed can be via a hoist or forklift mounted lifting attachment.
2. Shipping - units are shipped on pallets which are to be removed at installation.
3. Installation - This transformer can be installed indoor or outdoor providing a degree of protection against falling rain, sleet and external ice formation.
4. All general purpose/drive isolation transformers should be located away from any wall or any other obstruction, please refer to the nameplate for the minimum distance.
5. DO NOT block bottom ventilation area

### **FIGURE 4**

#### **Typical Type 3R, CN4 to CN7 Series Ventilated Enclosure Assembly for Three Phase or Single Phase Transformers.**

Notes:

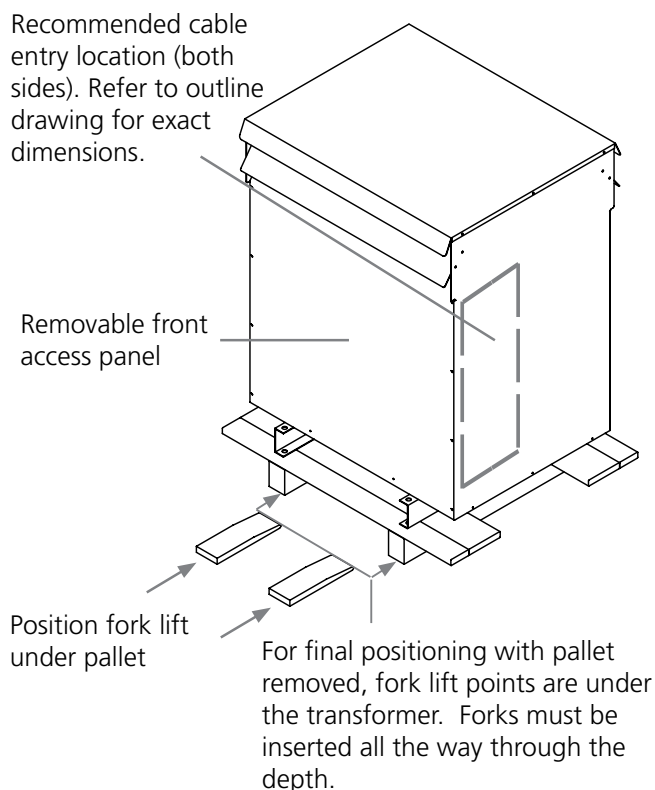
1. Handling - units are designed to be raised by a fork lift from underneath the pallet. Final positioning of the unit with the pallet removed can be via a fork lift under the transformer with the forks between the channels. The forks must extend out past the back of the unit and all enclosure panels must be in place.
2. Shipping - units are shipped on pallets which are to be removed at installation.
3. Installation - This transformer can be installed indoor or outdoor providing a degree of protection against falling rain, sleet and external ice formation.
4. All general purpose/drive isolation transformers should be located away from any wall or any other obstruction, please refer to the nameplate for the minimum distance. (Note: These enclosures are not intended to be wall mounted. They may be mounted on a customer supplied platform.)
5. DO NOT block bottom ventilation area.

**FIGURE 5**

### Typical Type 3R, NH Series Ventilated Enclosure Assembly for Three Phase and Single Phase Transformers.

#### Notes:

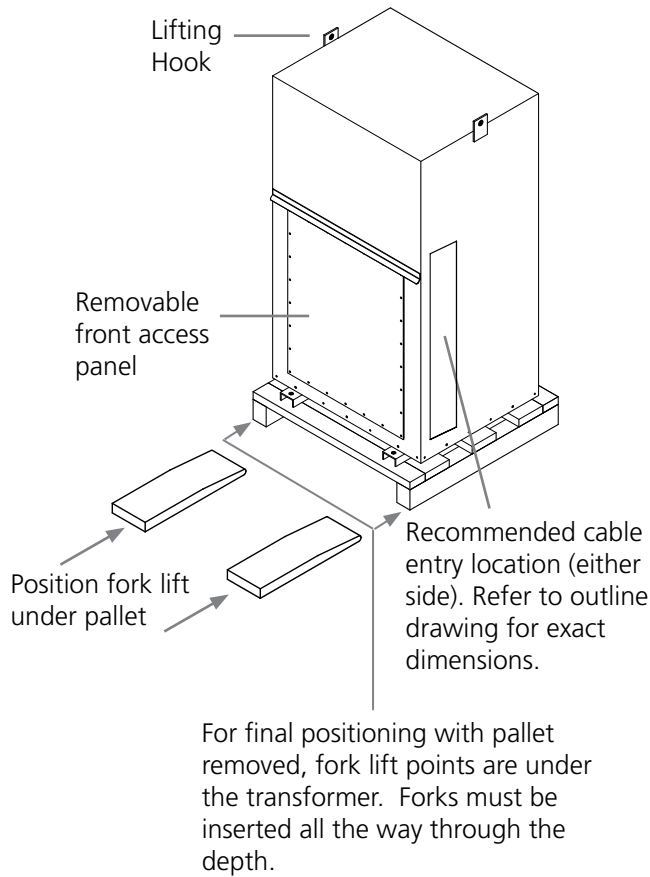
1. Handling - units are designed to be raised by a fork lift from underneath the pallet. Final positioning of the unit with the pallet removed can be via a fork lift under the transformer with the forks between the channels.
2. Shipping - units are shipped on pallets which are to be removed at installation.
3. Installation - This transformer can be installed indoor or outdoor providing a degree of protection against falling rain, sleet and external ice formation.
4. All general purpose/drive isolation transformers should be located away from any wall or any other obstruction, please refer to the nameplate for the minimum distance.
5. DO NOT block bottom ventilation area

**FIGURE 6**

### Typical Type 3R, NJ Series Ventilated Enclosure Assembly for Three Phase or Single Phase Transformers.

#### Notes:

1. Handling - units are designed to be raised by a fork lift from underneath the pallet. Final positioning of the unit with the pallet removed can be via a fork lift under the transformer with the forks between the channels. **(Note: Transformers weighing greater than 2350 lbs. should be lifted by removing the top panel and accessing the lifting provisions on top of the top of the core and coil.)**
2. Shipping - units are shipped on pallets which are to be removed at installation.
3. Installation - This transformer can be installed indoor or outdoor providing a degree of protection against falling rain, sleet and external ice formation.
4. All general purpose/drive isolation transformers should be located away from any wall or any other obstruction, please refer to the nameplate for the minimum distance. (Note: These enclosures are not intended to be wall mounted. They may be mounted on a customer supplied platform.)
5. DO NOT block bottom ventilation area.

**FIGURE 7**

**Typical Type 4 & 12, NH Series Non-Ventilated Enclosure Assembly for Three Phase or Single Phase Transformers.**

Notes:

1. Handling - units are designed to be raised by a fork lift from underneath the pallet. Final positioning of the unit with the pallet removed can be via a fork lift under the transformer with the forks between the channels or with the lifting hooks if provided.
2. Shipping - units are shipped on pallets which are to be removed at installation.
3. Installation - This is a non-ventilated indoor or outdoor enclosure designed primarily to provide a degree of protection against falling dirt, rain, sleet, snow, windblown dust, splashing water, hose-directed water and that will be undamaged by the external formation of ice on the enclosure. It is suitable in areas where exposure to large amounts water from any direction is possible. (Note: not submersible)
4. All general purpose/drive isolation transformers should be located away from any wall or any other obstruction, please refer to the nameplate for the minimum distance.





# Guide d'installation, de fonctionnement et d'entretien

## Pour des transformateurs à sec intérieur/ extérieur utilisant un boîtier de la série DH, NH, CN ou de type NJ1, NJ2, NJ3, NJ4.

Cet ouvrage traite des recommandations concernant l'installation, le fonctionnement et l'entretien de transformateurs à basse tension de type sec. Il est souligné que cet abrégé des directives doit être utilisé conformément aux normes et aux règlements locaux et nationaux et doivent par conséquent être consultés.

	Page
Avertissements	22
Consignes de sécurité	23
Général	24
Manutention	24
Réception et Inspection	24
Entreposage	24
Installation	25
Ventilation	26
Accessibilité	26
Niveaux sonores du transformateur	26
Branchements des câbles	26
Mise à la terre	28
Modification d'un transformateur	28
Avant la mise sous tension	28
Fonctionnement	29
Entretien	29
Séchage des transformateurs	30
Accessoires	30



*Les images utilisées dans ce guide ne sont qu'une représentation et peuvent varier du produit réel.*

### *Clause de non-responsabilité*

*Les pratiques recommandées dans cet ouvrage ont une portée générale et sont fournies sans garantie d'erreurs ou d'omissions. Les données techniques sont sujettes à modification à tout moment sans notification et toutes corrections nécessaires seront incluses dans les éditions ultérieures.*

*Pour les exigences spéciales, communiquer avec le fabricant du transformateur ou l'un de ses représentants.*

\*Remarque : Ce guide est trilingue  
(Anglais, français, espagnol)

N°. de document : **DIM16**  
Date de parution : Novembre 2021

Ce guide traite des recommandations concernant l'installation, le fonctionnement et l'entretien des transformateurs VPI de type sec intérieur et extérieur utilisant des boîtiers de séries DH, NH, NJ, CN. Il est souligné que cet abrégé des directives doit être utilisé conformément aux normes et aux règlements qui régissent ces actions, qui doivent par conséquent être consultés.

Ces pratiques sont recommandées pour une utilisation générale et il faut communiquer avec le fabricant du transformateur ou un de leurs représentants pour les exigences spéciales.

Il est en outre recommandé que l'installation soit conforme aux normes et règlements applicables des codes nationaux, provinciaux et locaux et à la norme C57.94 de l'IEEE/ANSI. Cette norme est la pratique recommandée par l'IEEE pour l'installation, l'utilisation, le fonctionnement et l'entretien des transformateurs secs de distribution et d'alimentation à usage général. Tous les travaux doivent être réalisés en conformité avec les normes NFPA 70E et CSA Z462 pour la sécurité électrique sur le lieu de travail. Toujours utiliser l'équipement de protection personnelle (EPP) approprié.

**Remarque importante :**

L'équipement électrique doit être installé, utilisé, nettoyé et entretenu par du personnel qualifié. Le fabricant n'assume aucune responsabilité des conséquences inhérentes à l'utilisation de ce matériel.

Ce guide contient des avertissements à respecter afin d'assurer la sécurité personnelle et de prévenir les dommages matériels. Lire ces directives attentivement et observer l'équipement pour se familiariser avec l'appareil avant de tenter de l'installer, l'exploiter, le nettoyer ou l'entretenir. Les avis se rapportant à la sécurité personnelle sont mis en évidence dans le guide à l'aide d'un symbole d'alerte à la sécurité, les avis se rapportant strictement aux dommages matériels ne sont pas accompagnés d'un symbole. Les avis énumérés ci-dessous sont classés en fonction du degré du danger. S'il y a plus d'un degré de danger, l'avertissement qui représente le plus haut degré est utilisé.



**DANGER**

L'appellation « DANGER » désigne une situation de danger imminent qui, si elle n'est pas évitée, aura pour conséquence la mort ou des blessures graves, ou encore des dommages matériels substantiels.



**AVERTISSEMENT**

L'appellation « AVERTISSEMENT » désigne une situation de danger potentiel qui, si elle n'est pas évitée, pourrait provoquer la mort ou des blessures graves, ou encore des dommages matériels importants.



**MISE EN GARDE**

L'appellation « MISE EN GARDE » désigne une situation de danger potentiel qui, si elle n'est pas évitée, pourrait causer des blessures légères ou moyennes, ou encore des dommages matériels.

## Mesures de sécurité



**DANGER**

### RISQUE DE DÉCHARGE ÉLECTRIQUE, D'EXPLOSION OU DE COUP D'ARC

*Veillez vous reporter à la plaque signalétique des classifications et tensions électriques.*

*Cet équipement doit strictement être installé et entretenu par un électricien qualifié.*

*Respecter toutes les exigences des normes NFPA 70E et CSA Z462 en matière de pratique de travail sécuritaire et d'équipement de protection individuelle (EPI).*

*Couper l'alimentation électrique avant d'effectuer des travaux à l'extérieur ou à l'intérieur de l'équipement.*

*Toujours utiliser un dispositif de détection de tension de calibre approprié pour confirmer que le courant est coupé.*

*Replacer tous les dispositifs, les portes et le couvercle avant de mettre l'équipement sous tension.*

### Le non-respect de ces instructions provoquera des blessures graves ou la mort.

1. Ne levez pas ou ne déplacez pas un transformateur sans l'équipement approprié et du personnel formé. Assurez-vous que le transformateur est soulevé uniquement de la manière indiquée sur les directives de levages fournies. Toujours se conformer aux directives de levages du fabricant. Il est recommandé de ne faire rouler ou glisser que les transformateurs dotés d'une base mobile préalablement commandée.
2. Vérifier soigneusement que le transformateur ne présente aucun dommage avant de le décharger. Si des dommages sont identifiés le transformateur ne doit pas être mis sous tension et le fabricant du transformateur doit être contacté immédiatement.
3. Les bornes sont strictement réservées aux branchements électriques. Les connecteurs flexibles sont recommandés pour les connexions par barres. Les bornes du transformateur ne sont pas conçues pour supporter le poids de cordage ou de câble de chargement. Il est possible d'ajouter des supports Unistrut sur le terrain à condition de respecter le dégagement exigé (distance électrique).
4. Les branchements ne doivent s'effectuer qu'en conformité avec le schéma de la plaque signalétique ou des diagrammes de connexion et selon les codes et les normes locales en vigueur.
5. Vérifiez que l'électricité est complètement coupée (y compris les commandes à alimentation arrière et la possible charge du condensateur) et que les enroulements sont mis à la terre avant de commencer un travail sur le transformateur ou à l'intérieur du boîtier.
6. Vérifier que toutes les mises à la terre, les bornes de ligne et les connexions des prises sélectionnées sont achevées et fixées avant de mettre le transformateur sous tension.
7. Ne pas tenter de changer un raccordement primaire ou secondaire ou un branchement pendant que le transformateur est alimenté.
8. Ne pas altérer les panneaux de commande, les alarmes, les dispositifs de verrouillage ou les circuits de commande.
9. Ne pas ajuster ou retirer d'accessoires ou de panneaux/tôles lorsque le transformateur est alimenté.
10. Aucun câble ne doit entrer en contact avec le noyau, les bobines ou une pièce sous tension, à l'exception de la borne voulue. S'assurer de respecter à tout moment le dégagement minimal. (consulter la section « Essais sur le terrain »)
11. Cet équipement doit strictement être installé et entretenu par un électricien qualifié.
12. Respecter toutes les exigences des normes NFPA 70E et CSA Z462 en matière de pratique de travail sécuritaire et d'équipement de protection individuelle (EPI).
13. Replacer tous les dispositifs, les portes et le couvercle avant de mettre l'équipement sous tension.
14. Dans le cas de travaux effectués autour du transformateur pouvant engendrer la chute d'objets étrangers à l'intérieur du noyau-bobines, couvrir celui-ci d'une toile de protection appropriée après la mise hors tension du transformateur. La protection doit être retirée et le transformateur inspecté visuellement pour s'assurer de l'absence de tout objet étranger avant la remise sous tension.
15. Aucun type de modification n'est autorisé sur l'équipement. Outre qu'elles annuleront la garantie, de telles actions peuvent entraîner des situations dangereuses dont seules seront responsables la ou les personnes effectuant les modifications.

## Général



**DANGER**

### RISQUE DE DÉCHARGE ÉLECTRIQUE, D'EXPLOSION OU DE COUP D'ARC

Se reporter à la plaque d'identification pour les capacités et tensions électriques.

Cet équipement doit strictement être installé et entretenu par un électricien qualifié.

Respecter toutes les exigences des normes NFPA 70E et CSA Z462 en matière de pratique de travail sécuritaire et d'équipement de protection individuelle (EPI).

Couper l'alimentation électrique avant d'effectuer des travaux à l'extérieur ou à l'intérieur de l'équipement.

Toujours utiliser un dispositif de détection de tension de calibre approprié pour confirmer que le courant est coupé.

Replacer tous les dispositifs, les portes et le couvercle avant de mettre l'équipement sous tension.

### La violation de ces directives cause la mort ou des blessures graves.

Les transformateurs de type sec sont fabriqués pour fournir un rendement optimal pendant une durée de vie utile sans interruption. Il est recommandé de porter une attention particulière aux consignes suivantes afin d'obtenir un fonctionnement fiable et sûr.

L'installation, le fonctionnement et l'entretien des transformateurs doivent être effectués par du personnel autorisé, formé et qualifié dans l'installation, la réparation et l'entretien du matériel électrique.

Comme tout autre équipement électrique, les transformateurs doivent être installés en conformité avec les codes de l'électricité nationaux et locaux en vigueur. Vous pouvez également vous référer à la norme C57.94 de l'IEEE/ANSI pour les recommandations relatives à l'installation, l'utilisation, le fonctionnement et l'entretien des transformateurs de type sec.

### Auto transformateurs

Si l'utilisation a besoin d'un neutre (dont un système triphasé à quatre fils), l'auto transformateur doit être commandé avec des bornes neutres en option.

Cette option fournira au client un point commun de connexion neutre (H0/X0) relié en usine au point central de la configuration en Y de l'enroulement.

Lorsqu'on choisit cette option, les câbles neutres des côtés ligne et charge doivent être tous deux connectés aux bornes neutres respectives afin d'assurer le bon fonctionnement de l'auto transformateur.

Veillez vous référer aux exigences du code de l'électricité local pour la mise à la terre et la protection contre les court-circuits d'un auto transformateur triphasé

## Manutention



**AVERTISSEMENT**

*Le non-respect des procédures de levage peut provoquer la mort, des blessures graves ou des dommages matériels.*

Les transformateurs sont posés sur palette et peuvent se soulever à l'aide d'un chariot élévateur ou hissés par les anneaux de levage fournis.

Utiliser l'équipement de levage approprié en fonction de la taille de chaque transformateur. Il est recommandé d'utiliser les barres d'écartement pour des raisons de sécurité et pour protéger le transformateur.

Ne pas tenter de soulever ou de déplacer un transformateur par d'autres points que ceux indiqués. Se reporter aux pages 36-39. Éviter de faire subir au transformateur des chocs, des secousses et d'autres manutentions brutales pouvant l'endommager.

S'assurer de transporter les transformateurs en position verticale – éviter de les incliner ou de les faire basculer.

## Réception et Inspection

Le transformateur doit être inspecté dès sa réception pour vérifier l'absence de dommages survenus durant le transport et la conformité avec les documents d'expédition.

L'unité doit être examinée pour détecter toute rupture de son emballage, toute trace de bosselure ou de dommage sur les boîtiers ou si des pièces sont manquantes selon le bordereau d'expédition.

< Si un dommage est constaté, une réclamation doit être déposée immédiatement auprès du transporteur et une deuxième copie de toutes les informations pertinentes à la commande et les circonstances doivent être immédiatement communiquées au bureau de vente local du fabricant de transformateurs.

Si vous examinez l'unité à l'extérieur, prenez les précautions nécessaires pour la protéger des éléments pouvant présenter davantage de risques.

## Entreposage



**AVERTISSEMENT**

*La violation des exigences d'entreposage pourrait provoquer la mort ou des blessures graves et des dommages matériels.*

Les transformateurs qui ne sont pas immédiatement

installés et mis sous tension doivent être entreposés dans un endroit propre et sec, à l'abri de tous contaminants atmosphériques de l'environnement. Les transformateurs doivent être entreposés de façon à ne constituer aucun danger. Empiler des transformateurs sans rayonnages appropriés n'est pas autorisé.

Pour un entreposage à long terme, il est recommandé que les transformateurs soient conservés dans un bâtiment chauffé à une température constante et suffisamment aéré pour éviter la condensation en conservant la pellicule de protection en plastique. Si l'entreposage dans un bâtiment chauffé n'est pas possible, les transformateurs doivent être correctement protégés contre les contaminants et l'humidité. Nous recommandons l'installation d'un chauffage électrique à l'intérieur du transformateur pour maintenir une température constante supérieure à la température ambiante et empêcher la condensation. Dans les cas extrêmes, ne pas entreposer à des températures inférieures à -40° C (-40° F). Veillez particulièrement à éviter la formation de condensation dans les transformateurs entreposés. Les unités qui doivent être mises sous tension après avoir été entreposées à basse température ou pendant une longue période doivent être chauffées jusqu'à -25° C (-13° F) avec de l'air chaud ou de la chaleur radiante. Lorsque l'unité atteint cette température et qu'elle est libre toute condensation et d'autres contaminants liés à l'entreposage, on peut en toute sécurité la mettre sous tension.

## Installation



**DANGER**

### **RISQUE DE DÉCHARGE ÉLECTRIQUE, D'EXPLOSION OU DE COUP D'ARC**

*Le non-respect de ces instructions d'installation et tous les codes nationaux et locaux applicables lors de l'installation et du raccordement d'un transformateur entraînera la mort ou des blessures graves ou des dommages matériels importants.*

Les boîtiers sont conçus et approuvés conformément aux spécifications CSA 22.2 N°. 47 (usage général), CSA 22.2 N°. 94 (boîtiers spéciaux), NEMA 250 et UL 50

Pour les équivalents des boîtiers IEC, veuillez voir IEC 60529 (Désignations de la classification des boîtiers).

#### **a) Transformateurs de type sec fermé d'intérieur et d'extérieur**

La plupart des transformateurs de type sec sont munis d'un boîtier de type 1, 2, 3R, 4 ou 12. Les unités peuvent être installées à l'intérieur ou à l'extérieur, le cas échéant. Équipées d'un boîtier de type 1 (ou 2), ces unités

ne doivent s'utiliser qu'à l'intérieur.

Les boîtiers ventilés sont recommandés pour une installation à l'intérieur, mais peuvent également s'installer à l'extérieur selon le boîtier et les recommandations de l'ingénieur-conseil supervisant le projet.

Pour tout emplacement extérieur, les codes appropriés en vigueur doivent être respectés, y compris l'installation des câbles et de la visserie convenant à une utilisation extérieure. Avant une installation en extérieur, vérifiez l'existence d'un bon drainage du site pour empêcher les eaux souterraines de pénétrer dans les transformateurs.

Il est fortement recommandé d'installer des raccords étanches aux disques défonçables ou pour toute autre ouverture des câbles entrants et sortants du boîtier. Si des trous sont percés, le noyau-bobines doit être recouvert d'une pellicule plastique.

Les transformateurs de type sec doivent être installés en position verticale sur les murs, les planchers, les poteaux, les poutres ou à d'autres endroits supportant leur poids avec les accessoires appropriés fixés. Veuillez vous référer aux appendices B et C (page 33 et 34) pour les lots de montage mural.

Les transformateurs de type sec ventilés conventionnels sont dotés d'une grille inférieure pour la convection de l'air. Lorsque les transformateurs sont installés au-dessus de la surface du sol ou au-dessus d'une surface combustible, une plaque de captage/d'égouttoir de calibre 14, d'origine locale, doit être installée sous chaque transformateur en mesure de sécurité contre les particules chaudes qui risquent de passer à travers la grille en cas de défaillance. Veuillez vous référer aux appendices B et C (page 33 et 34).

Il est important que les transformateurs ventilés soient installés dans un endroit sec où l'air ambiant est propre. Ne pas installer des transformateurs ventilés dans un environnement excessivement humide chargé de contaminants comme la poussière, l'huile, les gaz corrosifs et d'autres vapeurs chimiques, sans se limiter à ceux-ci. Les transformateurs ne doivent pas être installés dans un endroit où l'eau peut pénétrer à l'intérieur du boîtier.

Dans le cas où un transformateur aurait été soumis à de l'humidité ou mouillé avant l'installation, assurez-vous de bien le nettoyer et le sécher avant la mise sous tension. Dans ce cas, nous vous recommandons de souffler de l'air chaud dans le transformateur afin de sécher les composants internes. Reportez-vous à la section sur le séchage des transformateurs.

#### **b) Transformateurs d'intérieur et d'extérieur avec boîtier non-ventilé de type 4, 4X ou 12.**

Les transformateurs équipés d'un boîtier non-ventilé de type 4, 4X ou 12 peuvent être installés à l'intérieur ou à l'extérieur dans tout endroit du type de ceux mentionnés ci-dessus. Les transformateurs à boîtier non-ventilé, bien que légèrement plus grands, offrent une bien meilleure protection contre divers éléments tels que la poussière, la saleté, la neige, l'humidité, la pluie, etc.

Pour tout emplacement extérieur, les codes appropriés



en vigueur doivent être respectés, y compris l'installation des câbles et le choix du matériel convenant à une utilisation extérieure.

## **Ventilation**



### **AVERTISSEMENT**

*Le non-respect des instructions de ventilation peut provoquer la mort, des blessures graves ou des dommages matériels.*

Les transformateurs doivent être installés dans un endroit où ils pourront être refroidis par la circulation de l'air à une température ambiante moyenne de 30° C (86° F) qui ne doit jamais excéder 40° C (104° F).

Une bonne ventilation est essentielle pour que les transformateurs atteignent la capacité en kVA indiquée sur leur plaque signalétique. La distance à laquelle un transformateur doit être situé de tout mur ou obstacle est indiquée sur la plaque signalétique.

La distance minimale est nécessaire pour permettre une bonne circulation d'air propre à travers les ouvertures de ventilation ou autour d'une unité non-ventilée. Aucun autre type d'obstruction, de câbles de ligne ou de charge ou de structure bloquant la ventilation ne sont autorisés dans l'espace de ventilation.

Lorsque l'entrée inférieure est ouverte au passage de câbles, l'espace utilisé pour des conduites à l'avant du transformateur ne doit pas obstruer plus de 50 % de la zone de ventilation avant définie entre la plaque inférieure et les pieds de support. Pour plus d'information, voir la section sur les exigences de branchement de câbles à la page 26.

## **Accessibilité**



### **MISE EN GARDE**

*Le non-respect des instructions d'accessibilité peut provoquer des blessures ou des dommages matériels.*

Les normes du code national de l'électricité exigent que les transformateurs soient accessibles pour l'inspection et placés en conséquence.

Cependant, il ne faut pas installer les transformateurs là où des objets entreposés sont susceptibles d'interférer avec la convection naturelle de l'air ou l'accès pour inspection. Il convient aussi d'éviter les couloirs ou les endroits où des personnes pourraient être exposées à des pièces sous tension lors de l'inspection.

Une protection adéquate doit être assurée en toute circonstance.

## **Niveaux sonores du transformateur**

Les transformateurs sont des appareils alimentés par l'électricité qui, par leur nature, émettent un certain niveau de bruit pendant le fonctionnement normal.

Les transformateurs sont tenus de respecter les normes NEMA en matière de niveau sonore maximal admissible. Ces normes varient de 40 à 67 dB et peuvent constituer une nuisance pour les personnes qui travaillent ou résident à proximité.

Il faut donc choisir avec soin les sites pour les transformateurs, en particulier dans les zones sensibles tels que les hôpitaux, les salles de classe, les établissements médicaux et les bureaux.

Les directives suivantes peuvent s'avérer utiles :

- ➔ Les unités doivent être installées loin des angles ou des murs ou plafonds réfléchissants.
- ➔ Pour les branchements entrants et sortants, pensez aux câbles ou autres conduits flexibles.
- ➔ Tous les transformateurs de type sec sont munis de coussins antivibrations installés entre le noyau-bobines et le boîtier. Cependant, des isolants de vibration absorbant les sons peuvent également être installés entre le transformateur et sa surface de montage.
- ➔ Selon l'environnement, pour réduire le bruit, on pourra envisager la pose de matériaux acoustiques absorbants sur les murs et les plafonds autour de l'unité.
- ➔ L'emplacement de l'unité doit être aussi éloigné que possible des zones où les niveaux sonores peuvent être considérés indésirables.

## **Branchements des câbles**



### **DANGER**

### **RISQUE DE DÉCHARGE ÉLECTRIQUE, D'EXPLOSION OU DE COUP D'ARC**

*Le non-respect de ces instructions provoquera la mort, des blessures graves ou des dommages matériels.*

*Ne modifiez jamais les branchements ou les raccordements à moins que le transformateur soit hors tension et tous les enroulements mis à la terre.*



**DANGER****RISQUE DE DÉCHARGE ÉLECTRIQUE, D'EXPLOSION  
OU DE COUP D'ARC**

*Après l'installation des câbles et des connecteurs, la distance de dégagement minimale prescrite par les normes applicables et les standards pour les classes de tension respectives doivent être maintenus entre les parties sous tension et toutes les parties de la boîte. Installer les câbles et les connecteurs en négligeant tous les codes et les normes applicables ainsi que les directives ci-jointes entraînera des blessures graves ou la mort et des dégâts matériels.*

La taille du câble de raccordement est déterminée à partir de la valeur de courant de la ligne des enroulements primaires et secondaires des transformateurs et peut être choisie parmi les informations de l'appendice A (page 32). Utilisez un câble supportant une température d'au moins 90° C (194° F) et dimensionné sur la base d'un courant admissible de 75° C (167° F). Utilisez des cosses AL9CU-AL-CU. Les cosses de connecteur électrique, si fournies, ne sont à utiliser qu'avec des câbles ou des fils SIW de classe B ou C.

Des disques défonçables idéalement situés sont fournis sur tous les boîtiers de transformateur ventilé allant jusqu'à 150 kVA triphasé et 100 kVA monophasé, pour faciliter le passage du câble.

Pour les transformateurs non ventilés, les disques défonçables ne sont pas fournis et il faut utiliser le connecteur de câble adapté à l'application. Veuillez vous référer à l'appendice E (page 36-39) pour l'emplacement des passages de câbles. S'il faut relocaliser un transformateur pour effectuer les branchements de câbles nécessaires, toutes les exigences de sécurité et les procédures de levage connexes doivent être suivies.

**Exigences pour le branchement de câbles**

L'usage des entrées latérales de câbles est recommandé pour éviter d'obstruer les aires de ventilation.

- Pour les boîtiers ventilés 3R (ou 2) standard de type DH, l'entrée inférieure n'est permise que dans les zones définies à l'appendice E.
- Le bon rendement du transformateur dépend d'un apport d'air sans obstruction par les fentes inférieures de ventilation et de sa sortie par les fentes supérieures.
- L'obstruction de l'admission inférieure de la ventilation par les conduits / câbles de l'entrée inférieure dans la zone située entre la plaque d'entrée inférieure, à l'intérieur des pieds du transformateur et au niveau du sol peut entraîner une surchauffe du transformateur.

- Pour les boîtiers de type DH où l'entrée inférieure est autorisée dans les zones désignées, un maximum de 50 % de la surface inférieure frontale décrite ci-dessus peut être bloqué par des conduits / câbles. Dans les cas extrêmes, pas plus de 70 % de cette superficie peut être obstruée, mais seulement à la condition que le dégagement figurant sur la plaque signalétique soit respecté de tous les côtés du transformateur (des deux côtés, à l'avant et à l'arrière).
- Des connecteurs décalés sont également disponibles pour faciliter les branchements de câbles aux bornes afin de réduire l'espace de pliage des câbles

On peut utiliser des cosses de branchement de câble plaquées cuivre ou aluminium pour le raccordement aux bornes du transformateur. Les bornes doivent être nettoyées et l'usage de pâte à joints pour application électrique est recommandé sur tous les branchements.

Veillez vous reporter à la plaque signalétique du transformateur pour les combinaisons de branchement de tension primaire et secondaire ou l'emplacement des prises primaires et secondaires, selon le cas.

Les fils de prise des transformateurs livrés d'usine seront positionnés sur la tension nominale ou 100 %. Il se peut que les prises soient encore être enduites d'un matériau d'imprégnation et d'isolation.

Pour changer les prises, il est nécessaire de retirer délicatement tous les contaminants et autres isolants de la surface des parties supérieure et inférieure de celles-ci (œillet ou cosses) en ponçant les cosses jusqu'au métal nu.

La surface du fil de la prise doit-être propre puis enduite d'un composé électrique sur toutes les surfaces de contact non-plaquées entre la borne de la barrette de liaison et la prise. Assembler les barrettes de liaison aux prises conformément à l'appendice D (schéma 1 pour conducteur unique à prise œillet ou schéma 2 pour double conducteur à prise œillet).

Le tableau suivant peut être utilisé comme une ligne directrice pour le dégagement minimal à des altitudes ne dépassant pas 1 000 m (3 300 pi). Consulter le fabricant pour une altitude supérieure à 1 000 m (3 300 pi).

Classe de tension du transformateur	Dégagement minimal (mm)	Dégagement minimal (po.)
1,2 KV	25	1
2,5 KV	51	2
5,0 KV	102	4
8,7 KV	135	5,3
15 KV	203	8
18 KV	254	10
25 KV	305	12
34,5 KV	406	16

Remarque : « Certains composants spécifiques du transformateur peuvent nécessiter un dégagement différent de ceux indiqués ci-dessus. Pour ces exceptions, vous devez vous référer aux directives fournies dans les dessins d'assemblage ou dans les procédures d'installation. »

## Mise à la terre



**DANGER**

### RISQUE DE DÉCHARGE ÉLECTRIQUE, D'EXPLOSION OU DE COUP D'ARC

*Omettre de mettre à la terre le transformateur adéquatement selon les codes et les normes en vigueur peut engendrer des blessures graves ou mortelle.*

Tous les noyau-bobines sont solidement ancrés à l'intérieur du boîtier pour s'assurer que toutes les pièces métalliques conductrices ont le même potentiel.

Pour assurer la sécurité pendant l'utilisation, le transformateur doit être correctement mis à la terre avant d'être mis sous tension. La plupart des transformateurs disposent d'un emplacement principal de la terre identifié en conséquence. Si un emplacement principal de la terre n'est pas fourni, il incombe à l'installateur de faire et de vérifier les raccordements nécessaires à la terre.

Cette mise à la terre doit être effectuée en conformité avec tous les codes et normes électriques nationaux et locaux.

## Modification d'un transformateur



**DANGER**

### RISQUE DE DÉCHARGE ÉLECTRIQUE, D'EXPLOSION OU DE COUP D'ARC

*Un mauvais emploi ou un mauvais usage de cet équipement peut entraîner des blessures graves, voire mortelles et des dommages matériels*

L'application de cet équipement est la responsabilité du client ou de leur agent. Un mauvais emploi ou un mauvais usage peut entraîner des blessures graves, voire mortelles et / ou des dommages matériels.

Toute modification de cet équipement doit être conforme à tous les codes et normes applicables, et certaines modifications peuvent compromettre les conditions de garantie. Il incombe à la ou aux personnes qui effectuent les modifications de l'équipement (i) de veiller à ce que les exigences en matière de rendement et de sécurité applicables soient toujours respectées par l'équipement modifié; et, (ii) confirmer que les modifications proposées n'annuleront pas la garantie du fabricant.

## Avant la mise sous tension



**DANGER**

### RISQUE DE DÉCHARGE ÉLECTRIQUE, D'EXPLOSION OU DE COUP D'ARC

*Ne pas installer le transformateur en conformité avec tous les codes/normes applicables et les instructions contenues dans ce livret entraînera des blessures graves ou la mort et des dégâts matériels.*

### Pour un fonctionnement adéquat et sans danger du transformateur, veuillez vérifier ce qui suit :

- Assurez-vous de correctement brancher les phases. Référez-vous au diagramme vectoriel de la plaque signalétique.
- La charge de l'enroulement delta secondaire comportant une prise centrale de 120 volts ne doit pas dépasser le courant nominal normal de l'enroulement. Cette prise centrale est conçue pour recevoir un maximum de 5 % des kVA indiqués sur la plaque signalétique.
- Lorsque les enroulements sont branchés en parallèle (comme dans le cas de primaires à double tension), les prises primaires de toutes les bobines doivent être branchées au même pourcentage de positions de prises pour éviter le court-circuit de spires ou les déséquilibres de tension. Pour connaître les positions des prises, consultez la plaque signalétique du transformateur.
- Le boîtier doit être mis à la terre à l'aide d'un conducteur de calibre approprié selon les exigences des codes et normes locaux.
- Dans la mesure du possible, la charge totale doit être répartie également entre toutes les phases pour optimiser le rendement des enroulements du transformateur. La charge en kVA de chaque phase ne doit pas excéder 1/3 du régime nominal en kVA indiqué sur la plaque signalétique du transformateur.
- Il faut vérifier le dégagement et le serrage adéquat de tous les branchements électriques.
- En suivant les mesures de sécurité appropriées, après la mise sous tension et avant de brancher toutes charges, veuillez mesurer et vérifier que la tension de sortie correspond aux spécifications de la plaque signalétique.
- S'il existe un soupçon quelconque que le transformateur a été exposé à de l'humidité pendant le transport ou l'entreposage, vous devez vérifier qu'il soit sec avant la mise sous tension. Ceci peut être exécuté en faisant un essai de résistance d'isolation (essai Megger). Si vous suspectez que le transformateur a été exposé à l'humidité, il faut

le sécher avant la mise sous tension en suivant les procédures de séchage à la page 30.

## Fonctionnement



**DANGER**

### RISQUE DE DÉCHARGE ÉLECTRIQUE, D'EXPLOSION OU DE COUP D'ARC

*Ne pas faire fonctionner le transformateur selon tous les codes et les normes applicables et les instructions ci-jointes peut entraîner des blessures graves ou la mort.*



**AVERTISSEMENT**

*Omettre d'identifier et de corriger les causes profondes de la surchauffe du transformateur peut entraîner la mort ou des blessures graves, des dommages matériels ou réduire considérablement la durée de vie du transformateur.*

Dans des conditions de fonctionnement à pleine charge, les transformateurs de type sec peuvent s'avérer chaud au toucher, en particulier sur la partie supérieure de l'unité.

Selon les normes, les températures de la partie supérieure peuvent atteindre jusqu'à 65° C (149° F) de plus que la température ambiante.

Les transformateurs de type sec sont conçus pour fonctionner en permanence selon la pleine capacité de kVA indiquée sur la plaque signalétique dans des conditions normales de fonctionnement.

Les normes C57.96 de l'ANSI donnent des directives pour le chargement des transformateurs dans différentes conditions, notamment :

- Dans les températures ambiantes différentes de celles requises pour le bon fonctionnement du transformateur L'ANSI recommande une température ambiante maximale de 40° C.
- La surcharge de courte durée en fonction du temps et de la température ainsi que la perte de vie utile du transformateur.
- La surcharge qui se traduit par une diminution de la durée de vie du transformateur.

Si le transformateur subit une augmentation de température, les facteurs suivants doivent être immédiatement envisagés et corrigés :

- Démarrage du moteur brusque ou autre type de charge brusque. Un transformateur spécifique est requis pour ce type d'application.
- Sur-excitation de l'unité à la suite d'une surtension de l'alimentation ou d'une surcharge.
- Températures ambiantes supérieures à la normale.
- Surcharge supérieure aux directives C57.96.C57.96 de l'ANSI.
- Distorsions harmoniques de la tension de la ligne d'alimentation et du courant.

En cas de surchauffe, l'ajout d'un ventilateur de refroidissement supplémentaire doit respecter les directives d'installation de l'usine. Une mauvaise installation de ventilateurs peut détourner le flux d'air et considérablement réduire l'espérance de vie de l'isolant dans la bobine du transformateur.

Les transformateurs de type sec peuvent être arrêtés et entreposés pour des périodes prolongées sans subir de détérioration. Il faut soigneusement nettoyer et sécher les unités avant de les mettre sous tension, comme indiqué précédemment. Un emballage approprié et des mesures de prévention de l'humidité durant l'entreposage sont essentiels.

## Entretien



**DANGER**

### RISQUE DE DÉCHARGE ÉLECTRIQUE, D'EXPLOSION OU DE COUP D'ARC

*Omettre de couper l'alimentation, isoler et mettre à la terre les bornes du transformateur ainsi que de vérifier le potentiel de terre sur tous les terminaux avant d'effectuer des travaux sur le transformateur entraînera des blessures graves ou la mort.*

*L'insertion d'objets par les ouvertures de la ventilation alors que le transformateur est sous tension peut entraîner des blessures graves ou la mort.*

Dans des conditions de fonctionnement et des environnements normaux, les transformateurs de type sec nécessitent soin et inspection périodique. Cela est essentiel si l'unité est installée dans des conditions environnementales difficiles (par ex. à l'extérieur, dans un environnement avec des niveaux élevés de pollution et de poussière, etc.).

L'inspection périphérique et l'élimination de la poussière externe peuvent s'effectuer pendant que le transformateur fonctionne. Cependant, les couvercles d'accès ne doivent pas être ouverts ni des objets insérés dans les ouvertures de ventilation lorsque le transformateur est sous tension.

## L'entretien interne ne doit s'effectuer que sur un transformateur hors tension, isolé et dont toutes les bornes sont mises à la terre.

L'entretien comprend généralement le nettoyage interne, le serrage des barrettes et des connexions boulonnées aux niveaux de couple prescrits, la vérification et l'entretien des dispositifs auxiliaires et une analyse infrarouge ou image thermique du transformateur.

Les conduits d'air doivent être exempts de toute accumulation de poussière et de saleté et tous les branchements boulonnés des bornes doivent être en bon état. Nous recommandons, lors de l'entretien annuel prévu ou de façon plus fréquente, de procéder à la vérification du couple de serrage et de l'absence de signes d'oxydation, d'arc et de mauvais contact électrique sur les branchements. Tout mauvais contact identifié doit être immédiatement corrigé.

Une pratique acceptée consiste à aspirer ou souffler de l'air comprimé de haut en bas pour supprimer la poussière dans les conduits d'une bobine de transformateur. Utiliser de l'air sec à basse pression pour éviter de contaminer davantage les enroulements par des matériaux étrangers.

Le raccordement à la terre doit également être vérifié pour garantir un branchement de faible impédance. L'accumulation de glace, de neige ou toute autre matière entravant l'aération pendant le fonctionnement du transformateur doit être immédiatement nettoyée pour garantir une bonne ventilation.

Sur les unités extérieures dotées de filtres, l'exposition permanente aux conditions climatiques peut rapidement salir ceux-ci. Une vérification régulière des filtres permettra d'éviter leur encombrement et, par conséquent, la surchauffe du transformateur. D'autre part, ne jamais faire fonctionner le transformateur sans que les filtres soient bien en place.

VALEURS DE COUPLES RECOMMANDÉS POUR LES BRANCHEMENTS ÉLECTRIQUES BOULONNÉS			
TAILLE DU BOULON	ACIER ORDINAIRE	LAITON	ACIER INOXYDABLE
	CALIBRE 5 pi-lb [Nm] ±5 %	ALLIAGE CU270 pi-lb [Nm] ±5 %	B8 OU B8M pi-lb [Nm] ±5 %
1/4-20	7 [10]	3,8 [5]	5 [6]
3/8-16	20 [27]	14 [18]	15 [20]
1/2-13	60 [70]	33 [45]	37 [50]
8 mm	20 [23]	12 [14]	12 [14]
12 mm	60 [70]	33 [45]	37 [50]

\*Remarque : Les valeurs de couples ci-dessus sont pour les boulons secs et non lubrifiés.

## Séchage des Transformateurs



**DANGER**

### RISQUE DE DÉCHARGE ÉLECTRIQUE, D'EXPLOSION OU DE COUP D'ARC

*Le non-respect des procédures de séchage jointes avant la mise sous tension des transformateurs préalablement exposés à l'humidité entraînera des blessures graves ou la mort et des dommages matériels.*

Dans le cas où les transformateurs ont été exposés à de l'humidité, condensation ou pluie, il est nécessaire de sécher le transformateur avant de le mettre sous tension.

Le séchage peut s'effectuer avec n'importe quel air chaud ou réchauffé, de la chaleur radiante ou un chauffage interne dirigé à travers les enroulements. L'air chaud doit être envoyé dans les enroulements pendant au moins vingt-quatre (24) heures après avoir constaté qu'il n'y a plus d'humidité visible.

Les transformateurs qui ont été inondés, qui ont été exposés à la pluie ou qui ont été mouillés par des gicleurs pourraient ne pas être séchés adéquatement. La résistance d'isolation, de la bobine à l'enroulement primaire, de la bobine à l'enroulement secondaire et de l'enroulement primaire au secondaire doit être supérieure à 10 k ohms. Veuillez contacter le fabricant du transformateur pour obtenir des instructions d'intervention appropriées.

## Accessoires



**DANGER**

### RISQUE DE DÉCHARGE ÉLECTRIQUE, D'EXPLOSION OU DE COUP D'ARC

*Lors de l'installation de transformateurs (indépendamment de l'emplacement) l'installateur est responsable de l'installation appropriée conformément aux instructions jointes et à tous les codes et normes applicables (y compris sismiques). Faute de quoi, des blessures graves ou la mort et des dommages matériels peuvent survenir.*

Les transformateurs de distribution de type sec sont disponibles avec plusieurs accessoires afin de faciliter l'installation. Veuillez consulter votre distributeur local pour l'achat d'un de ces accessoires dans l'inventaire. Parmi les accessoires fréquemment utilisés :

#### 1) Supports de montage mural

Les transformateurs de type sec et ventilé sont généralement conçus pour n'être fixés qu'au sol.

Cependant, selon le type de boîtier, certaines unités ventilées allant jusqu'à 112,5 kVA sont pourvues d'un boîtier doté d'un dispositif de montage mural intégré ou pouvant se fixer au mur à l'aide de supports de montage. Ces unités peuvent facilement se fixer sur un mur, une poutre ou un poteau. Pour la cotation sismique (si applicable) veuillez vous référer à la plaque d'identification de l'unité.

Les transformateurs de type sec et ventilé conventionnels sont dotés d'une grille inférieure pour la convection de l'air. Lorsque les transformateurs sont fixés au-dessus du sol, une plaque de captage (égouttoir) doit être installée sous chaque transformateur par mesure de sécurité contre les particules chaudes risquant de passer à travers la grille en cas de défaillance. Veuillez vous référer aux appendices B et C (page 33 et 34).

## 2) Coussins antivibrations et ensemble d'isolation des vibrations

Pour une absorption maximale des vibrations et la réduction du niveau sonore, il est recommandé d'installer d'autres coussins antivibrations entre le transformateur et la surface de montage.

Ces plaques moulées en néoprène et acier éliminent pratiquement le bruit des vibrations entre le transformateur et la surface de montage.

Consulter le catalogue des produits du fabricant de transformateurs pour le bon numéro du coussin anti-vibration requis. .

## 3) Connecteurs (Cosses)

Les connecteurs pour l'installation de transformateurs de type sec sont facilement disponibles. Ces connecteurs sont adaptés pour l'utilisation avec des câbles de cuivre ou d'aluminium.

Les connecteurs doivent être dimensionnés, installés et connectés aux câbles selon les exigences de votre code local de l'électricité en appliquant les meilleures pratiques pour s'assurer d'un fonctionnement sûr et fiable. Les surfaces de câbles doivent être correctement nettoyées et le composé électrique doit être utilisé sur tous les branchements.

Remplacer les cosses fournies par le fabricant du transformateur par des cosses adaptées à une application spécifique au client (à condition qu'elles conviennent au courant pour lequel le transformateur est conçu) est acceptable et peut être effectué par le client sans annuler les approbations d'usine.

### Choix des connecteurs

- a) Déterminez le courant primaire du transformateur requis dans l'appendice A.
- b) De même, déterminez la valeur du courant secondaire pour le transformateur requis dans l'appendice A.
- c) Le courant pour les branchements à 120/240 de

tension doit être basé sur 120 volts.

- d) Le courant pour les branchements à 240/480 volts doit être basé sur 240 volts.

## APPENDICE A

### CLASSIFICATIONS DU COURANT ADMISSIBLE POUR BRANCHEMENTS

A. Pour un transformateur monophasé

$$\text{Courant de ligne} = \frac{\text{Volt Amperes}}{\text{Tension de ligne}}$$

B. Pour un transformateur triphasé

$$\text{Courant de ligne} = \frac{\text{Volt Amperes}}{1.732 \times \text{Tension de ligne}}$$

**Tableau de courant en pleine charge  
Transformateur monophasé**

kVA	Courant en ampères					
	120 V	240 V	480 V	600 V	2 400 V	4 160 V
0,50	4,17	2,08	1,04	0,83	-	-
0,75	6,25	3,13	1,56	1,25	-	-
1,0	8,33	4,17	2,08	1,67	-	-
1,5	12,5	6,25	3,13	2,50	-	-
3,0	25,0	12,5	6,25	5,00	1,25	0,72
5,0	41,7	20,8	10,4	8,33	2,08	1,20
7,5	62,5	31,3	15,6	12,5	3,13	1,80
10	83,3	41,7	20,8	16,7	4,17	2,40
15	125	62,5	31,3	25,0	6,25	3,61
25	208	104	52,1	41,7	10,4	6,01
37,5	313	156	78,1	62,5	15,6	9,01
50	417	208	104	83,3	20,8	12,0
75	625	313	156	125	31,3	18,0
100	833	417	208	167	41,7	24,0
150	1 250	625	313	250	62,5	36,0
167	1 392	696	348	278	69,6	40,1
250	2 083	1 042	521	417	104	60,1
333	2 775	1 388	694	555	139	80,0

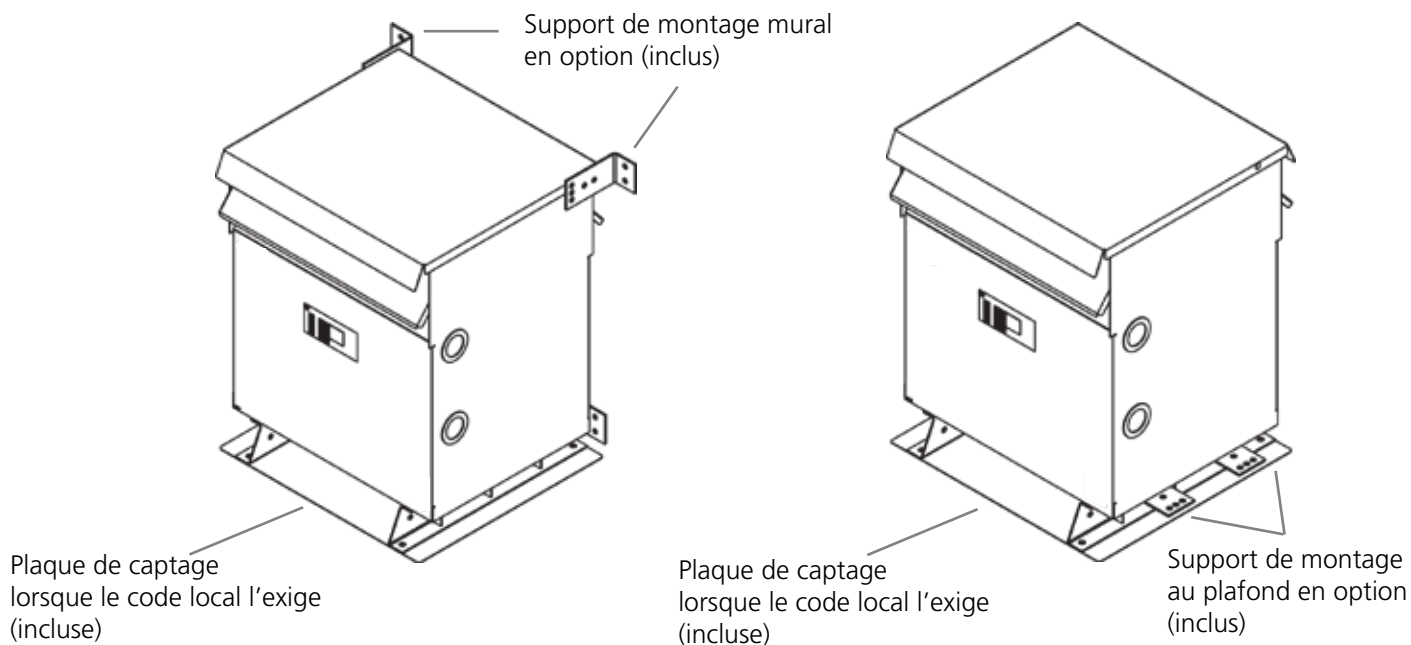
**Tableau de courant en pleine charge  
Transformateur triphasé**

kVA	Courant en ampères					
	208 V	240 V	480 V	600 V	2 400 V	4 160 V
3	8,33	7,22	3,61	2,89	0,72	0,42
6	16,7	14,4	7,22	5,77	1,44	0,83
9	25,0	21,7	10,8	8,66	2,17	1,25
15	41,6	36,1	18,0	14,4	3,61	2,08
30	83,3	72,2	36,1	28,9	7,22	4,16
45	125	108	54,1	43,3	10,8	6,25
75	208	180	90,2	72,2	18,0	10,4
100	278	241	120	96,2	24,1	13,9
112,5	312	271	135	108	27,1	15,6
150	416	361	180	144	36,1	20,8
225	625	541	271	217	54,1	31,2
300	833	722	361	289	72,2	41,6
450	1 249	1 082	541	433	108	62,4
500	1 388	1 203	601	481	120	69,4
600	1 665	1 443	722	577	144	83,3
750	2 082	1 804	902	722	180	104
1 000	2 776	2 406	1 203	962	241	139
1 500	4 164	3 609	1 804	1 443	361	208
2 000	5 552	4 811	2 406	1 925	481	278
2 500	6 940	6 014	3 007	2 406	601	347
3 000	8 327	7 217	3 608	2 887	722	416

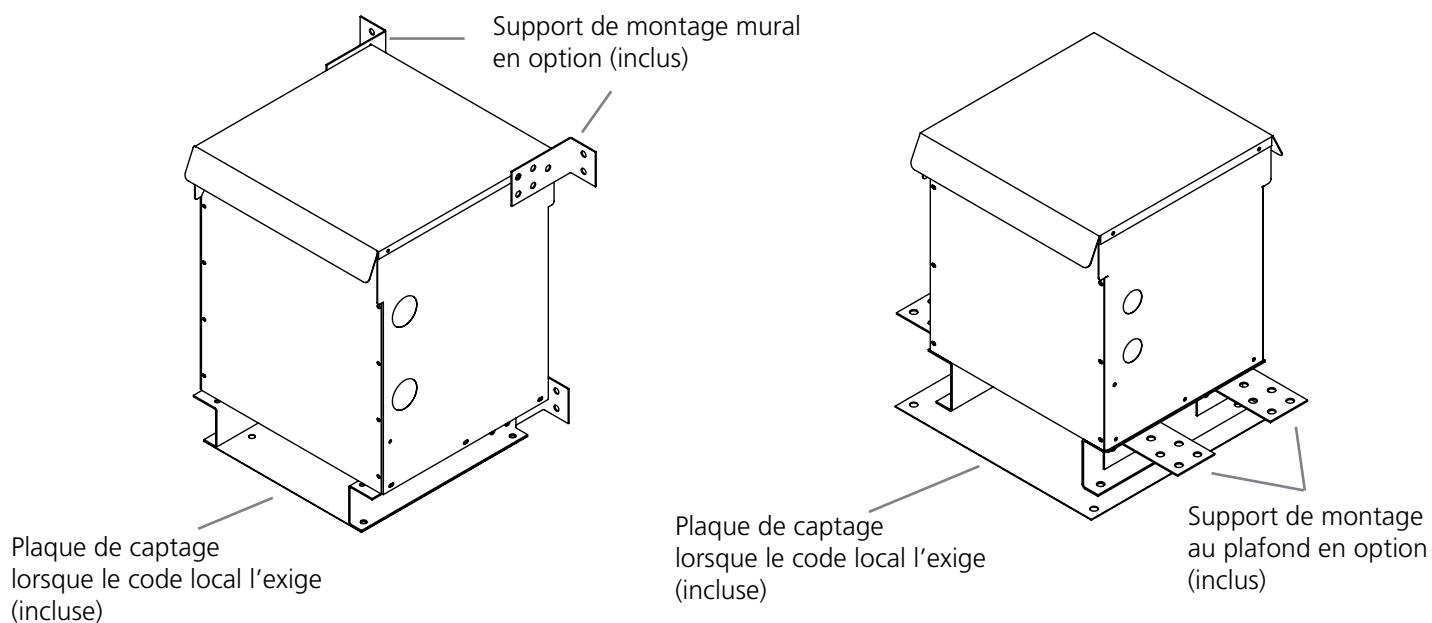


**APPENDICE B**

EMPLACEMENT DES SUPPORTS DE MONTAGE MURAL ET PLAQUES DE CAPTAGE INCLUS DANS LE LOT D'ACCESSOIRES DU DW3  
 POUR LES BOÎTIERS DE TYPE 3R (OU 2) DE SÉRIE DH3

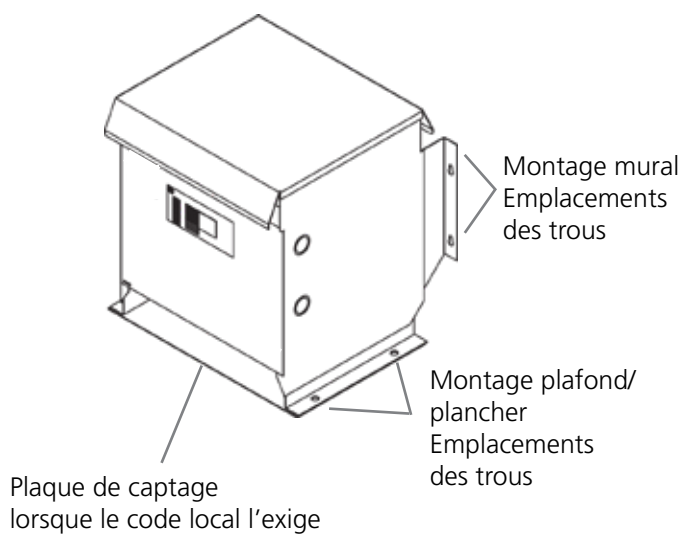


EMPLACEMENT DES SUPPORTS DE MONTAGE MURAL ET PLAQUES DE CAPTAGE INCLUS DANS LE LOT D'ACCESSOIRES DU NW2  
 POUR LES BOÎTIERS DE TYPE 3R DE SÉRIE NH3



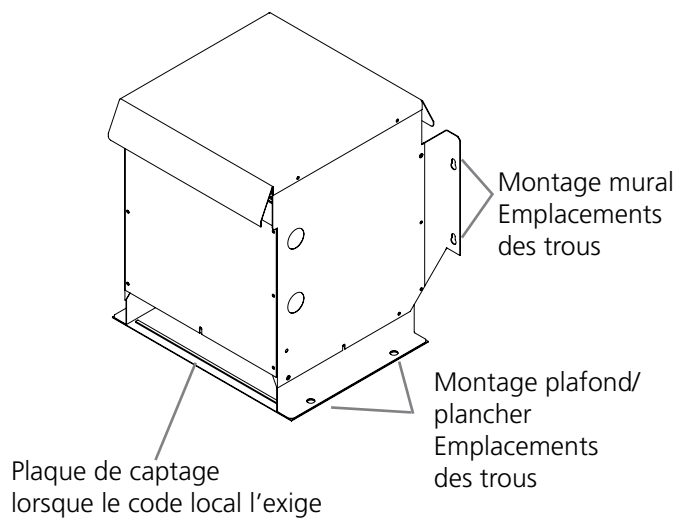


### APPENDICE C



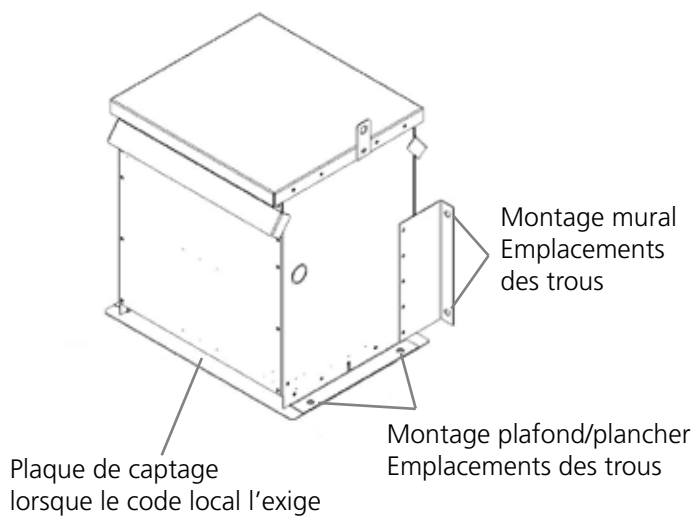
EMPLACEMENT DES SUPPORTS DE MONTAGE MURAL ET PLAQUES DE CAPTAGE INCLUS DANS LE DH1DP ET LE DH2DP

POUR LES BOÎTIERS DE TYPE 3R (OU 2) DES SÉRIES DH1 ET DH2



EMPLACEMENT DES SUPPORTS DE MONTAGE MURAL ET PLAQUES DE CAPTAGE INCLUS DANS LE NH5DP ET LE NH6DP

POUR LES BOÎTIERS DE TYPE 3R DES SÉRIES NH5 ET NH6

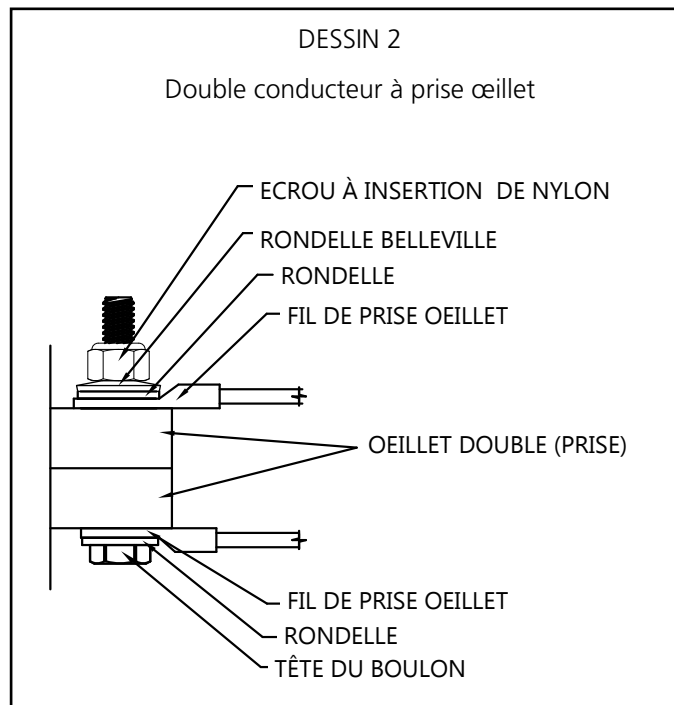
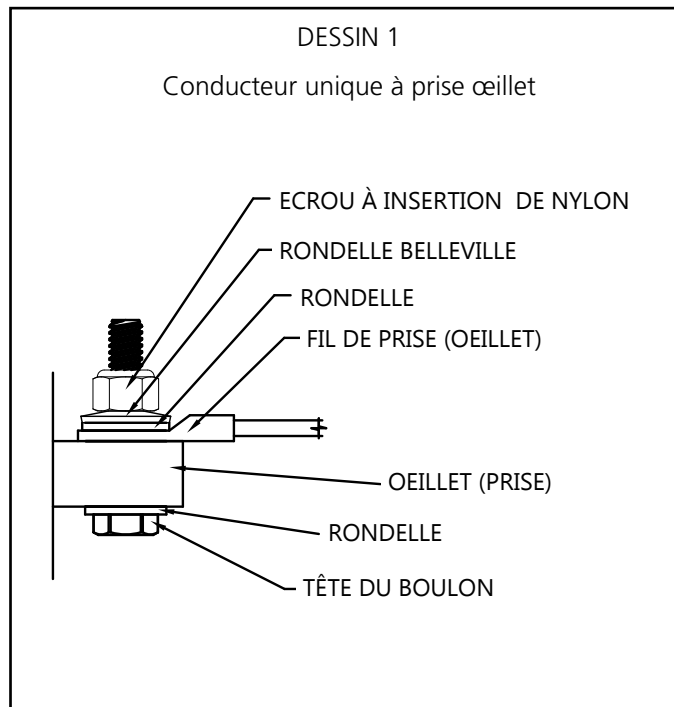


EMPLACEMENT DES SUPPORTS DE MONTAGE MURAL ET PLAQUES DE CAPTAGE EN OPTION INCLUS DANS LES CN1DP, CN2DP, ET CN3DP

POUR LES BOÎTIERS DE TYPE 3R DES SÉRIES CN1, CN2 ET CN3

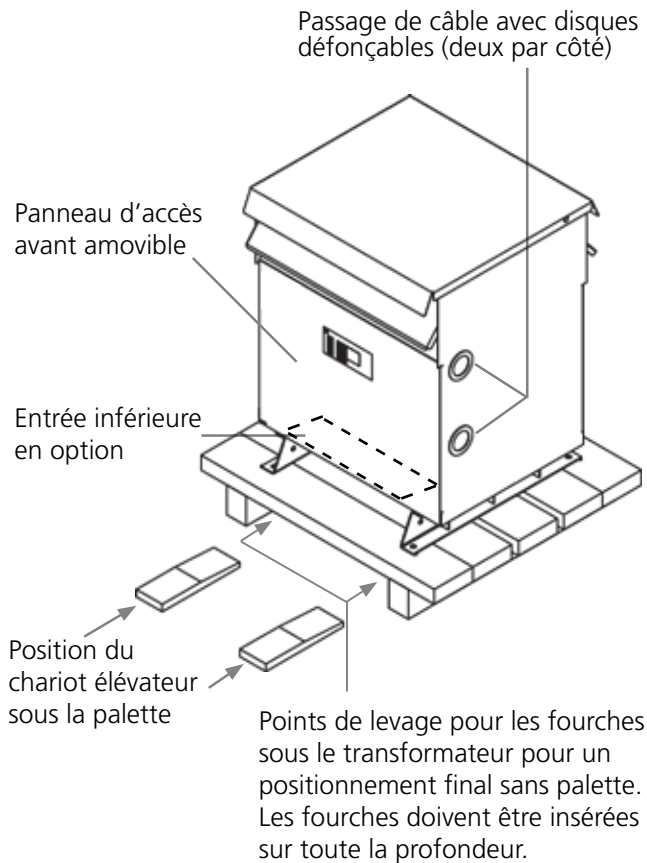
**APPENDICE D**

Dessins d'assemblage de la barrette de liaison



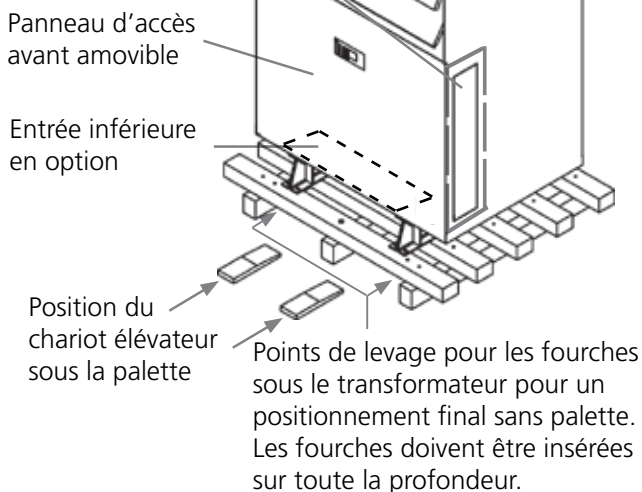
## APPENDICE E

### Emplacements suggérés des entrées de câbles



\*La photo ci-dessus montre une enceinte type 3R typique de style DH

Emplacement recommandé pour le passage de câbles (des deux côtés). Reportez-vous au schéma pour les dimensions exactes.



\*La photo ci-dessus montre une enceinte 3R typique de style DH

### ILLUSTRATION N<sup>o</sup>. 1

#### Assemblage de boîtier ventilé de type 3R (ou type 2) typique de séries DH1 à DH4 pour transformateurs triphasés et monophasés.

Remarques :

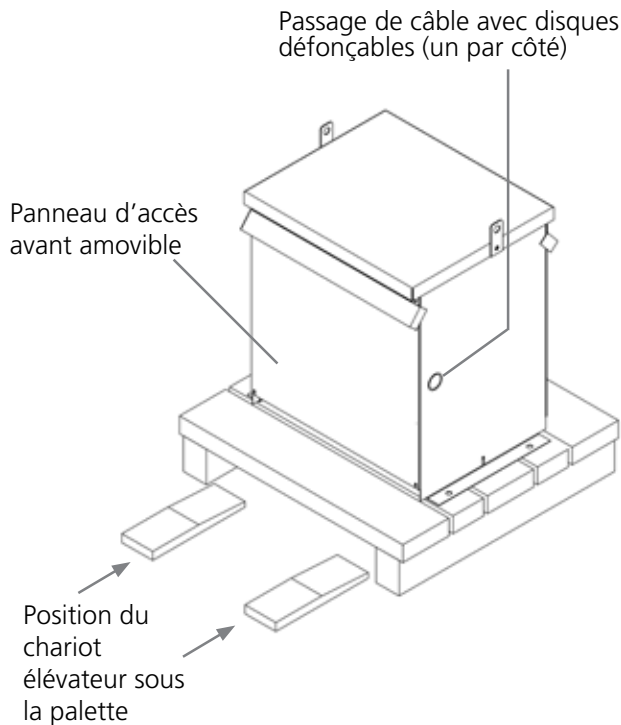
1. Manutention – les unités ont été conçues pour être soulevées par dessous au moyen d'un chariot à fourche. Le positionnement final de l'unité sans la palette peut se faire avec un chariot dont les fourches sont glissées entre les montant du boîtier du transformateur.
2. Expédition – les unités sont expédiées sur des palettes qui seront retirées lors de l'installation.
3. Installation – Ce transformateur peut s'installer à l'intérieur ou à l'extérieur en offrant un degré de protection contre la pluie, le grésil et la formation de glace extérieure.
4. Tous les transformateurs d'isolement à usage général/d'entraînement doivent être situés loin de tout mur ou obstacle; veuillez vous reporter à la plaque signalétique pour la distance minimale.
5. NE PAS obstruer la zone de ventilation du bas

### ILLUSTRATION N<sup>o</sup>. 2

#### Assemblage de boîtier ventilé de type 3R (ou 2) typique de séries DH5 à DH10 pour transformateurs triphasés ou monophasés.

Remarques :

1. Manutention – les unités ont été conçues pour être soulevées par dessous au moyen d'un chariot à fourche. Le positionnement final de l'unité sans la palette peut se faire avec un chariot dont les fourches sont glissées entre les montant du boîtier du transformateur. **(Remarque : Les transformateurs pesant plus de 1 066 kg (2 350 lbs) doivent être soulevés en retirant le panneau supérieur et en accédant aux dispositifs de levage situés sur le dessus du noyau-bobines.)**
2. Expédition – les unités sont expédiées sur des palettes qui seront retirées lors de l'installation.
3. Installation – Ce transformateur peut s'installer à l'intérieur ou à l'extérieur en offrant un degré de protection contre la pluie, le grésil et la formation de glace extérieure.
4. Tous les transformateurs d'isolement à usage général/d'entraînement doivent être situés loin de tout mur ou obstacle; veuillez vous reporter à la plaque signalétique pour la distance minimale. **(Remarque : Ces boîtiers ne sont pas destinés à être fixés au mur. Ils peuvent se fixer sur une plateforme fournie par le client.)**
5. NE PAS obstruer la zone de ventilation du bas.



### **ILLUSTRATION N° 3**

#### **Assemblage de boîtier ventilé de type 3R typique de séries CN1 à CN3 pour transformateurs triphasés et monophasés.**

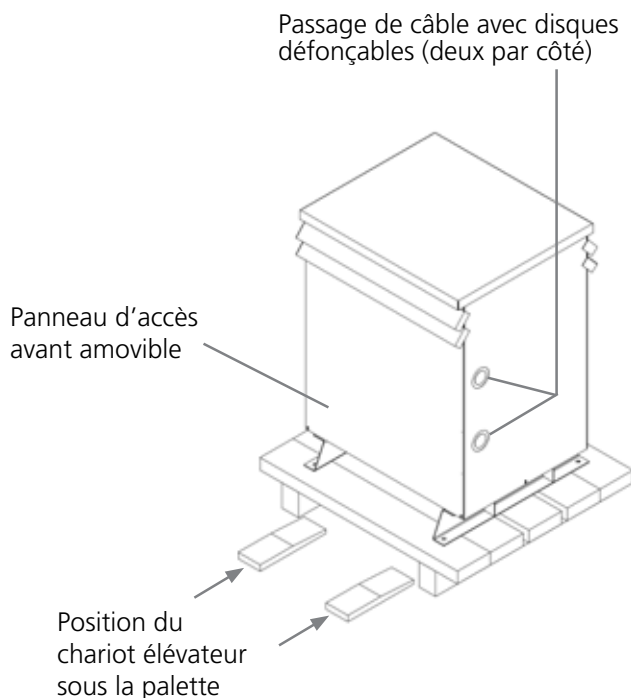
Remarques :

1. Maintenance – les unités ont été conçues pour être soulevées par dessous au moyen d'un chariot à fourche. Le positionnement final de l'unité sans la palette peut se faire avec une attache de levage fixé à un treuil ou à un chariot élévateur.
2. Expédition – les unités sont expédiées sur des palettes qui seront retirées lors de l'installation.
3. Installation – Ce transformateur peut s'installer à l'intérieur ou à l'extérieur en offrant un degré de protection contre la pluie, le grésil et la formation de glace extérieure.
4. Tous les transformateurs d'isolement à usage général/d'entraînement doivent être situés loin de tout mur ou obstacle; veuillez vous reporter à la plaque signalétique pour la distance minimale.
5. NE PAS obstruer la zone de ventilation du bas

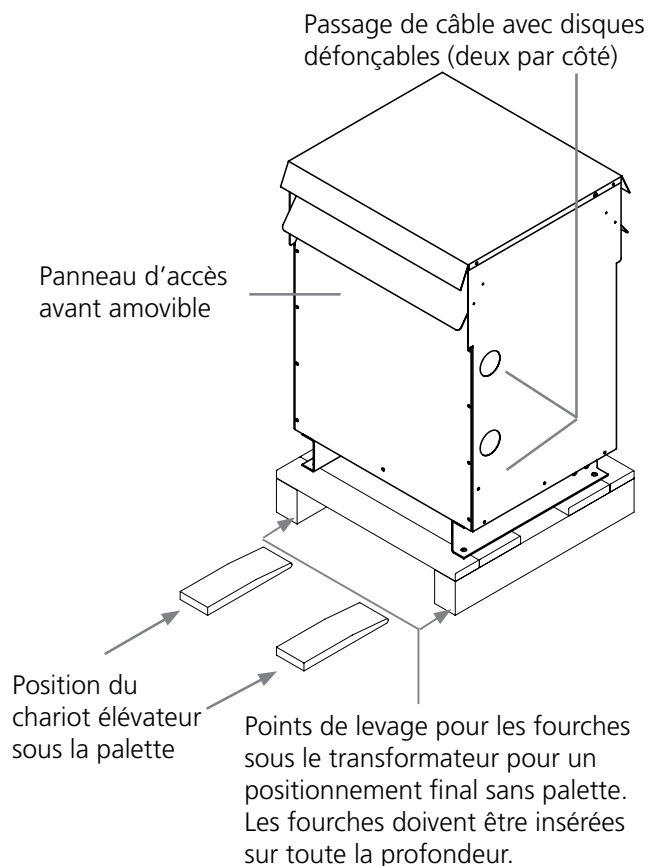
### **ILLUSTRATION N° 4**

#### **Assemblage de boîtier ventilé de type 3R typique de séries CN4 à CN7 pour transformateurs triphasés ou monophasés.**

Remarques :



1. Maintenance – les unités ont été conçues pour être soulevées par dessous au moyen d'un chariot à fourche. Le positionnement final de l'unité sans la palette peut se faire avec un chariot dont les fourches sont glissées entre les montant du boîtier du transformateur.
2. Expédition – les unités sont expédiées sur des palettes qui seront retirées lors de l'installation.
3. Installation – Ce transformateur peut s'installer à l'intérieur ou à l'extérieur en offrant un degré de protection contre la pluie, le grésil et la formation de glace extérieure.
4. Tous les transformateurs d'isolement à usage général/d'entraînement doivent être situés loin de tout mur ou obstacle; veuillez vous reporter à la plaque signalétique pour la distance minimale. (Remarque : Ces boîtiers ne sont pas destinés à être fixés au mur. Ils peuvent se fixer sur une plateforme fournie par le client.)
5. NE PAS obstruer la zone de ventilation du bas.



### ILLUSTRATION N° 5

#### Assemblage de boîtier ventilé de type 3R typique de série NH pour transformateurs triphasés et monophasés.

Remarques :

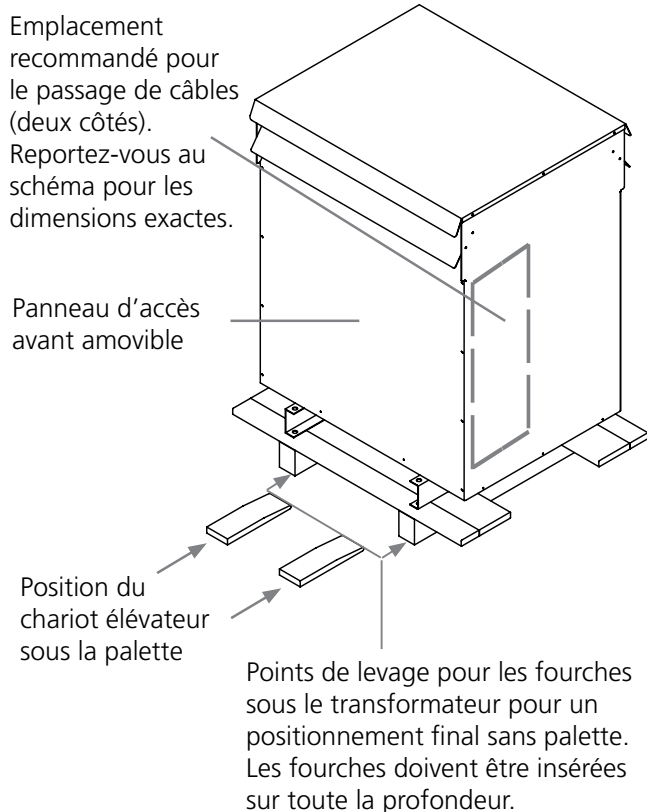
1. Manutention – les unités ont été conçues pour être soulevées par dessous au moyen d'un chariot à fourche. Le positionnement final de l'unité sans la palette peut se faire avec un chariot dont les fourches sont glissées entre les montant du boîtier du transformateur.
2. Expédition – les unités sont expédiées sur des palettes qui seront retirées lors de l'installation.
3. Installation – Ce transformateur peut s'installer à l'intérieur ou à l'extérieur en offrant un degré de protection contre la pluie, le grésil et la formation de glace extérieure.
4. Tous les transformateurs d'isolement à usage général/d'entraînement doivent être situés loin de tout mur ou obstacle; veuillez vous reporter à la plaque signalétique pour la distance minimale.
5. NE PAS obstruer la zone de ventilation du bas

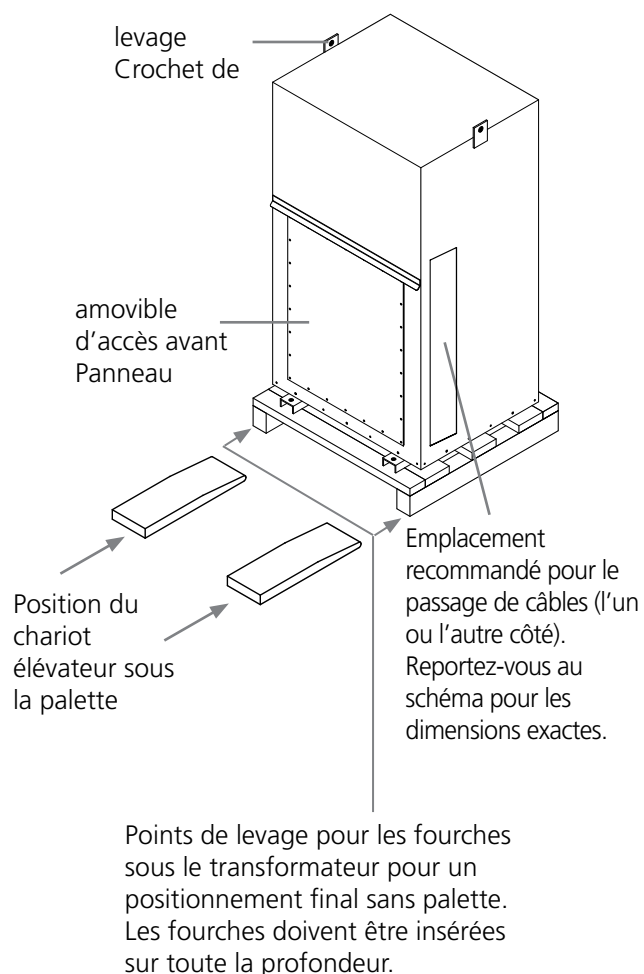
### ILLUSTRATION N° 6

#### Assemblage de boîtier ventilé de type 3R typique de série NJ pour transformateurs triphasés ou monophasés.

Remarques :

1. Manutention – les unités ont été conçues pour être soulevées par dessous au moyen d'un chariot à fourche. Le positionnement final de l'unité sans la palette peut se faire avec un chariot dont les fourches sont glissées entre les montant du boîtier du transformateur. **(Remarque : Les transformateurs pesant plus de 1 066 kg (2 350 lbs) doivent être soulevés en retirant le panneau supérieur et en accédant aux dispositifs de levage situés sur le dessus du noyau-bobines.)**
2. Expédition – les unités sont expédiées sur des palettes qui seront retirées lors de l'installation.
3. Installation – Ce transformateur peut s'installer à l'intérieur ou à l'extérieur en offrant un degré de protection contre la pluie, le grésil et la formation de glace extérieure.
4. Tous les transformateurs d'isolement à usage général/d'entraînement doivent être situés loin de tout mur ou obstacle; veuillez vous reporter à la plaque signalétique pour la distance minimale. (Remarque : Ces boîtiers ne sont pas destinés à être fixés au mur. Ils peuvent se fixer sur une plateforme fournie par le client.)
5. NE PAS obstruer la zone de ventilation du bas.





### **ILLUSTRATION N°. 7**

#### **Assemblage de boîtier non-ventilé de type 4 et 12 typique de série NH pour transformateurs triphasés ou monophasés.**

Remarques :

1. Maintenance – les unités ont été conçues pour être soulevées par dessous au moyen d'un chariot à fourche. Le positionnement final de l'unité sans la palette peut se faire avec un chariot dont les fourches sont glissées entre les montant du boîtier du transformateur ou avec des crochets de levage s'ils sont fournis.
2. Expédition – les unités sont expédiées sur des palettes qui seront retirées lors de l'installation.
3. Installation – C'est un boîtier prévu pour une installation extérieure ou intérieure non-ventilée principalement conçu pour fournir un degré de protection contre les saletés, la pluie, le grésil, la neige, la poussière soulevée par le vent, les éclaboussures et les jets d'eau et garde le boîtier en bon état malgré la formation de glace extérieure. Elle est adaptée dans les zones où l'exposition à de grandes quantités d'eau dans toutes les directions est possible. (Remarque : non submersible)
4. Tous les transformateurs d'isolement à usage général/d'entraînement doivent être situés loin de tout mur ou obstacle; veuillez vous reporter à la plaque signalétique pour la distance minimale.





# Guía de Instalación, Operación y Mantenimiento

## Para transformadores de tipo seco al aire libre/en interiores que utilizan gabinetes tipo serie DH, serie NH o NJ1, NJ2, NJ3, NJ4.

Este manual contiene recomendaciones para la instalación, operación y mantenimiento de transformadores de bajo voltaje, de tipo seco. Se hace hincapié en que estas instrucciones abreviadas deben utilizarse en conjunto con todos los códigos locales y nacionales, y deben ser referenciados en consecuencia.



Las imágenes utilizadas en esta guía solo son una representación y pueden variar en comparación con el producto real.

### Descargo de responsabilidad

Las prácticas recomendadas en este manual corresponden a aplicaciones generales y se suministran sin responsabilidad alguna por errores u omisiones. Los datos técnicos están sujetos a cambios en cualquier momento y sin previo aviso y las correcciones necesarias se incluirán en las siguientes ediciones.

Los requisitos especiales deben ser referenciados al fabricante o a su representante.

\*Nota: esta guía es trilingüe  
(inglés, francés, español)

Literatura n.º: **DIM16**

Fecha de emisión: Noviembre 2021

	Página
Advertencias	42
Instrucciones de seguridad	43
General	44
Manipulación	44
Recepción e Inspección	44
Almacenamiento	45
Instalación	45
Ventilación	46
Accesibilidad	46
Niveles de ruido del transformador	46
Conexiones de cable	47
Puesta a tierra	48
Modificación del Transformador	48
Antes de la energización	48
Operación	49
Mantenimiento	50
Secado de los transformadores	50
Accesorios	51

Esta guía abarca las recomendaciones para la instalación, operación y mantenimiento de transformadores VPI tipo seco al aire libre/en interiores que utilizan carcasas tipo DH, NH, NJ o CN. Se hace hincapié en que estas instrucciones abreviadas deben utilizarse en conjunto con todas las normas y códigos locales que cubren dicho trabajo, y deben ser referidos en consecuencia.

Estas prácticas recomendadas son para aplicaciones generales y cualquier requerimiento especial debe referenciarse al fabricante del transformador o su representante.

Además se recomienda que el trabajo de instalación se rija por todos los códigos, estándares y regulaciones nacionales, estatales y locales aplicables, y ANSI/IEEE C57.94. Esta es la práctica IEEE recomendada para la instalación, aplicación, operación y mantenimiento de transformadores de tipo seco de alimentación y distribución de propósito general. Todo el trabajo debe realizarse de acuerdo con el Estándar para seguridad eléctrica en el lugar de trabajo 70E de la NFPA y CSA Z462, Seguridad eléctrica en el lugar de trabajo. Siempre utilice equipo de protección personal apropiado (PPE).

**Nota importante:**

La instalación, manipulación, reparación y mantenimiento del equipo eléctrico debe estar a cargo solo de personal calificado. No se asume responsabilidad alguna por parte del fabricante de las consecuencias que deriven de la utilización de este material.

Este manual contiene advertencias a considerar a fin de garantizar la seguridad personal y evitar daños materiales. Lea atentamente estas instrucciones y observe el equipo para familiarizarse con el dispositivo antes de instalarlo, manipularlo, revisarlo o realizar su mantenimiento. Los avisos sobre la seguridad personal están resaltados en el manual con un símbolo de advertencia de seguridad. Los relativos solo a daños materiales no llevan dicho símbolo. Estos avisos que se muestran a continuación se ordenan de acuerdo al grado de peligro. Si más de un grado de peligro está presente, se utilizará la advertencia que representa el grado más alto de peligro.



**PELIGRO**

PELIGRO indica una situación de peligro inminente que, de no evitarse, ocasionará la muerte o lesiones graves, o daños materiales considerables.



**ADVERTENCIA**

ADVERTENCIA indica una situación potencialmente peligrosa que, de no evitarse, puede ocasionar la muerte o lesiones graves, o daños materiales considerables.



**PRECAUCIÓN**

PRECAUCIÓN indica una situación potencialmente peligrosa que, de no evitarse, puede ocasionar lesiones o daños materiales leves o moderados.

**Precauciones de seguridad****PELIGRO****PELIGRO DE DESCARGA ELÉCTRICA, EXPLOSIÓN O ARCO ELÉCTRICO**

*Consulte valores y la tensión nominal en la placa de identificación.*

*La instalación y el mantenimiento de este equipo deberán ser realizados solamente por personal de equipos eléctricos calificado.*

*Siga todos los requisitos de la norma NFPA 70E y CSA Z462 sobre la práctica de trabajo seguro y el equipo de protección personal (personal protective equipment, PPE).*

*Apague el suministro de alimentación de este equipo antes de realizar cualquier trabajo en o dentro del equipo.*

*Utilice siempre un dispositivo de detección de tensión adecuado para confirmar que la alimentación esté apagada.*

*Reemplace todos los dispositivos, puertas y cubiertas antes de energizar este equipo.*

**El incumplimiento de estas instrucciones provocará lesiones graves o la muerte.**

1. No levante o mueva un transformador sin contar con el equipo adecuado y personal capacitado apropiadamente. Asegúrese de que el transformador solo se levante utilizando las disposiciones provistas de la lista. Utilice siempre las disposiciones de elevación proporcionadas por el fabricante. El rodamiento y deslizamiento se recomienda solo en los transformadores con una base de deslizamiento solicitada con antelación.
2. No descargue el transformador hasta que haya sido completamente inspeccionado en busca de daños. Si se identifican daños el transformador no debe ser energizado y el fabricante del transformador debe ser contactado inmediatamente.
3. Utilice únicamente terminales para las conexiones eléctricas. Se recomiendan conectores flexibles para las conexiones del bus. Las terminales del transformador no están diseñadas para soportar el peso del cable de línea o de carga. Se pueden añadir soportes Unistrut en el campo siempre que se mantenga el espacio libre adecuado.
4. Las conexiones deben hacerse solo de acuerdo con el diagrama de la placa de identificación o los dibujos de conexión y los códigos y estándares locales aplicables.
5. Asegúrese de que toda la energía (incluido el control de alimentación trasera y la carga posible del condensador) esté desconectada y que todos los bobinados estén conectados a tierra antes de realizar cualquier trabajo en el transformador o en el interior de la carcasa.
6. Asegúrese de que todas las conexiones a tierra, las terminales de línea y las conexiones de toma seleccionadas estén completos y ajustados antes de energizar el transformador.
7. No intente cambiar las conexiones o tomas primarias o secundarias mientras el transformador está energizado.
8. No manipule los paneles de control, alarmas, bloqueos internos o circuitos de control.
9. No ajuste o retire ningún accesorio o placa de cubierta mientras el transformador está energizado.
10. Ningún cable debe entrar en contacto con el núcleo o bobina o cualquier parte viva excepto con la terminal correspondiente. Asegúrese de que se mantengan las distancias mínimas en todo momento. (consulte la sección Pruebas de campo)
11. La instalación y el mantenimiento de este equipo deberán ser realizados solamente por personal de equipos eléctricos calificado.
12. Siga todos los requisitos de la norma NFPA 70E y CSA Z462 sobre la práctica de trabajo seguro y el equipo de protección personal (personal protective equipment, PPE).
13. Coloque todos los dispositivos, puertas y cubiertas antes de energizar este equipo.
14. En caso de que se realicen trabajos alrededor del transformador que puedan provocar caída de objetos extraños dentro del núcleo y de las bobinas, después de desconectar la alimentación del transformador, cubra el núcleo y la bobina con una tela protectora apropiada. La tela debe retirarse y el transformador debe inspeccionarse visualmente para detectar objetos extraños antes de volver a alimentar el transformador.
15. No se permite realizar modificaciones de ningún tipo en el equipo. Aparte de anular la garantía, dichas acciones pueden dar pie a situaciones peligrosas por las que las personas que realizan las modificaciones serán las únicas responsables.

## General



### PELIGRO

#### PELIGRO DE DESCARGA ELÉCTRICA, EXPLOSIÓN O ARCO ELÉCTRICO

Consulte valores y la tensión nominal en la placa de identificación.

La instalación y el mantenimiento de este equipo deberán ser realizados solamente por personal de equipos eléctricos calificado.

Siga todos los requisitos de la norma NFPA 70E y CSA Z462 sobre la práctica de trabajo seguro y el equipo de protección personal (personal protective equipment, PPE).

Apague el suministro de alimentación de este equipo antes de realizar cualquier trabajo en o dentro del equipo.

Utilice siempre un dispositivo de detección de tensión adecuado para confirmar que la alimentación esté apagada.

Reemplace todos los dispositivos, puertas y cubiertas antes de energizar este equipo.

#### El incumplimiento de estas instrucciones ocasionara la muerte o lesiones graves.

Los transformadores tipo seco se fabrican para brindar un rendimiento óptimo durante una vida de servicio ininterrumpido. Se recomienda prestar mucha atención a las siguientes instrucciones para un funcionamiento seguro y confiable.

La instalación, el funcionamiento y el mantenimiento de los transformadores deben ser realizados por personal autorizado, capacitado y calificado para la instalación, reparación y mantenimiento de equipo eléctrico.

En cuanto a cualquier otro equipo eléctrico, los transformadores deben instalarse de acuerdo con los requisitos de todos los códigos eléctricos nacionales y locales aplicables. También puede consultarse ANSI/IEEE C57-94 para conocer las recomendaciones de instalación, aplicación, funcionamiento y mantenimiento de los transformadores tipo seco.

#### Autotransformadores

Si la aplicación necesita un neutro (incluidos los sistemas de 3 fases y 4 cables), el autotransformador debe permitirse con las terminales neutros opcionales.

Esta opción brindará al cliente un punto de conexión neutro (H0/X0) común que es conectado en fábrica al punto medio de la configuración de devanado Y.

Al seleccionar esta opción, el cable neutro de línea y el cable neutro de carga deben conectarse a los terminales neutros respectivos para asegurar el funcionamiento apropiado del autotransformador.

Consulte los requisitos locales sobre los códigos

eléctricos sobre la puesta a tierra y la protección contra cortocircuitos de un autotransformador trifásico.

## Manipulación



### ADVERTENCIA

*El incumplimiento de los procedimientos de levantamiento puede provocar la muerte o lesiones graves o daños materiales.*

Se ponen los transformadores en tarimas y se pueden levantar con un montacargas o sujetando las agarraderas incluidas.

Debe utilizarse un equipo de levantamiento apropiado según el tamaño de cada transformador. Para fines de seguridad y para proteger el transformador, se recomienda utilizar barras separadoras.

No debe intentarse levantar ni mover un transformador desde ningún punto de la unidad aparte de los indicados. Consulte las páginas 56-59. Evite someter al transformador a impactos, sacudidas y otros tipos de manipulación tosca que puedan dañarlo.

Asegúrese de transportar los transformadores en posición vertical. Evite inclinarlos.

## Recepción e Inspección

Inmediatamente después de recibir el transformador, debe revisarse en busca de daños de tránsito y debe verificarse su estado correcto comparando con los documentos de envío.

La unidad debe examinarse en busca de rupturas en su empaque, abolladuras y daños en la estructura o partes de la lista del empaque que falten.

Si se observa algún daño, una reclamación debe ser presentada inmediatamente con el transportista y una segunda copia con toda la información pertinente relativa a la orden y las circunstancias se debe comunicar inmediatamente a la oficina local de ventas de los fabricantes de transformadores.

Si se lleva a cabo el examen de la unidad al aire libre, debe ejercerse la precaución para proteger la unidad contra factores que puedan representar un mayor peligro.

## Almacenamiento



### ADVERTENCIA

***El incumplimiento de los requisitos de almacenamiento puede provocar la muerte o lesiones graves, o daños materiales.***

Los transformadores que no sean instalados y alimentados de inmediato deben guardarse en un ambiente seco y limpio lejos de cualquier contaminante ambiental transportado por el aire. Los transformadores deben guardarse de tal manera que no representen ningún tipo de peligro. No se permite apilar los transformadores uno sobre otro sin una estantería apropiada.

Se recomienda guardar los transformadores en un edificio calentado, con temperatura uniforme y circulación de aire adecuada para evitar la condensación con la envoltura de plástico protectora aún instalada para un almacenamiento a largo plazo. Si el almacenamiento en un edificio calentado no es posible, los transformadores deben protegerse correctamente de los contaminantes y la humedad preferiblemente en un edificio no calentado. Recomendamos que se instale calefacción eléctrica dentro del transformador para mantener una temperatura uniforme sobre el ambiente y para evitar la condensación. En casos extremos puede guardarse a temperaturas no inferiores a -40 °C (-40 °F). Debe prestarse atención especial para evitar la formación de condensación dentro de los transformadores almacenados. Las unidades que deben energizarse después de ser almacenadas a una baja temperatura o después de ser almacenadas por un largo tiempo deben calentarse hasta los -25 °C (-13 °F) con aire caliente o calor radiante. Una vez que la unidad alcance esta temperatura y esté libre de condensación y cualquier otro contaminante derivado del proceso de almacenamiento, es seguro energizarla.

## Instalación



### PELIGRO

**PELIGRO DE DESCARGA ELÉCTRICA, EXPLOSIÓN O ARCO ELÉCTRICO**

***Si no se siguen estas instrucciones de instalación y todos los códigos locales y nacionales aplicables al instalar y conectar un transformador, se producirá la muerte o una lesión grave, o daños materiales considerables.***

Los gabinetes están diseñados y aprobados de conformidad con las especificaciones CSA 22.2 n.º 47 (propósito general), CSA 22.2 n.º 94 (gabinetes especiales),

NEMA 250 y UL 50

Para ver equivalentes de gabinetes IEC, consulte IEC 60529 (designaciones de clasificaciones de gabinetes).

a) Transformadores tipo seco al aire libre/en interiores con gabinete La mayoría de transformadores tipo seco incluyen un gabinete tipo 1, 2, 3R, 4 o 12. Las unidades pueden instalarse en interiores o exteriores según corresponda. Si estas unidades están equipadas con un gabinete tipo 1 o tipo 2, solo son para utilizarse en interiores.

los gabinetes ventilados son recomendables para la instalación en interiores pero también pueden instalarse al aire libre según la clasificación de la carcasa y las recomendaciones del ingeniero consultor que supervisa el proyecto.

Para cualquier ubicación al aire libre, deben aplicarse los códigos apropiados como los que rigen la instalación de cables y las herramientas adecuadas para el servicio al aire libre. Antes de hacer las instalaciones en exteriores, verifique que haya un drenaje adecuado en el sitio para evitar que el agua subterránea ingrese a los transformadores.

Se recomienda firmemente instalar acopladores herméticos en los orificios o cualquier otro agujero perforado en el gabinete para cables entrantes/salientes. Cuando se realizan perforaciones, el núcleo y las bobinas deben estar cubiertas con envoltura plástica.

Los transformadores tipo seco deben instalarse en una posición vertical en las paredes, pisos, postes, vigas u otras ubicaciones capaces de soportar su peso con los accesorios apropiados acoplados. Consulte el Apéndice B y el C (páginas 53 y 54) para informarse sobre los kits de montaje en pared.

Los transformadores convencionales tipo seco ventilados tienen una pantalla en el panel inferior para la convección de aire. Cuando los transformadores son montados a nivel del suelo o sobre una superficie combustible, se debe de instalar una placa colectora o placa de goteo de calibre 14, (no suministrada por el fabricante), debajo de cada transformador, como medida de seguridad precautoria para evitar que cualquier partícula caliente pueda caer a través de la pantalla, en el evento de alguna condición de falla. Consulte el Apéndice B y C (página 53 y 54).

Es importante que los transformadores ventilados se instalen en un área seca donde el aire ambiental esté limpio. No instale los transformadores ventilados en ambientes con humedad excesiva y contaminantes, que incluyen, entre otros, polvo, aceite, gases corrosivos y otros vapores químicos. Los transformadores no deben instalarse en un lugar que presente el peligro de producir una obstrucción por agua dentro del gabinete.

En caso de que un transformador haya sido sometido a la humedad antes de la instalación, asegúrese de limpiarlo completamente y secarlo antes de conectarlo. En este caso, recomendamos soplar aire tibio a través del transformador para secar los componentes internos. Consulte la sección sobre el secado de transformadores.

## b) Transformadores al aire libre/en interiores con gabinetes no ventilados tipo 4, 4X o 12.

Los transformadores equipados con gabinetes no ventilados tipo 4, 4X o 12 pueden estar ubicados al aire libre o en interiores, en cualquier ubicación similar mencionada anteriormente. Aunque son ligeramente más grandes, los transformadores con carcasa no ventilados ofrecen una protección mucho mayor contra una variedad de elementos como polvo, suciedad, nieve, humedad, lluvia, etc.

Para cualquier ubicación al aire libre, deben aplicarse los códigos aplicables y apropiados, incluida la instalación del cable y el uso de hardware adecuado para el servicio al aire libre.

### Ventilación



#### ADVERTENCIA

*El incumplimiento de las instrucciones de ventilación puede provocar la muerte o lesiones graves, o daños materiales.*

Los transformadores deben instalarse en un área donde puedan enfriarse mediante la circulación de aire libre con una temperatura ambiente promedio de 30 °C (86 °F) que no debe superar los 40 °C (104 °F) en ningún momento.

Una ventilación adecuada es esencial para que los transformadores cumplan con la capacidad de KVA indicada en su placa. La distancia que un transformador debe guardar con respecto a cualquier pared u otra obstrucción están indicadas en la placa. La distancia mínima debe permitir la circulación libre y limpia de aire a través de las aberturas de ventilación o alrededor de una unidad no ventilada. No se permite ninguna otra obstrucción, cable de línea/carga o estructura de bloqueo de la ventilación en el espacio de ventilación.

Cuando se permita la entrada inferior para los cables, el espacio utilizado para los conductores en la parte frontal del transformador no debe obstruir más del 50 % del área frontal de ventilación definida entre la placa inferior y las patas de soporte. Consulte la sección Requisitos de conexión de cables en la página 47 para ver instrucciones.

### Accesibilidad



#### PRECAUCIÓN

*El incumplimiento de las instrucciones de accesibilidad puede ocasionar lesiones o daños materiales.*

Los estándares NEC requieren que se pueda acceder a los transformadores para inspeccionarlos y que se ubiquen como corresponda.

Sin embargo, los transformadores no deben estar ubicados en áreas donde sea probable que los objetos almacenados interfieran con la convección de aire natural o la capacidad de inspeccionarlos. También deben evitarse las vías de paso u otras áreas donde las personas puedan estar expuestas a partes conectadas durante la inspección.

Debe brindarse una protección adecuada bajo cualquier circunstancia.

### Niveles de ruido del transformador

Los transformadores son un aparato con energía eléctrica y, por su naturaleza durante el funcionamiento normal, emitirán un cierto nivel de sonido.

Los transformadores debe cumplir con los estándares NEMA para los niveles máximos de sonido permitidos. Estos estándares de nivel de sonido varían de 40 dB a 67 dB y por lo tanto los transformadores pueden ser una molestia si están ubicados cerca del lugar donde trabajan o residen personas.

Por lo tanto, debe tenerse cuidado al seleccionar sitios para transformadores, particularmente en áreas sensibles como hospitales, aulas e instalaciones médicas o de oficina.

Las siguientes pautas pueden ser útiles:

- ➔ Las unidades deben montarse lejos de las esquinas o paredes o techos reflectantes.
- ➔ Debe considerarse un cable u otro conducto flexible para realizar las conexiones entrantes/salientes.
- ➔ Todos los transformadores tipo seco vienen con almohadillas de aislamiento antivibración entre el núcleo y el conjunto de bobinas y el gabinete. No obstante, los aislantes de vibración que absorben el sonido también pueden instalarse entre el transformador y su superficie de montaje.
- ➔ Según el ambiente, debe considerarse utilizar materiales de absorción acústica para reducir el ruido en las paredes y techos alrededor de la unidad.



- La ubicación de la unidad debe estar lo más lejos posible de áreas donde los niveles de sonido puedan considerarse indeseables.

## Conexiones de cable



### PELIGRO

#### PELIGRO DE DESCARGA ELÉCTRICA, EXPLOSIÓN O ARCO ELÉCTRICO

*El incumplimiento de estas instrucciones provocará la muerte o lesiones graves, o daños materiales.*

*Nunca intente cambiar conexiones o tomas a menos que el transformador esté desconectado de la corriente y todos los devanadores tengan toma a tierra.*



### PELIGRO

#### PELIGRO DE DESCARGA ELÉCTRICA, EXPLOSIÓN O ARCO ELÉCTRICO

*Después de la instalación de los cables y conectores, la separación mínima prescrita por los códigos y normas aplicables para la clase de voltaje correspondiente debe mantenerse desde las partes energizadas hasta todas las partes de la carcasa.*

*Si no instala los cables y los conectores según los códigos y estándares aplicables y las pautas adjuntas, se producirán lesiones personales graves, la muerte o daños materiales*

El tamaño del cable de conexión está determinado por la clasificación de corriente en línea de los devanados primarios y secundarios de los transformadores y puede seleccionarse en la información del apéndice A (página 52). Utilice un cable clasificado para al menos 90 °C (194 °F) y con un tamaño basado en 75 °C (167 °F) de ampacidad. Utilice con agarraderas AL9CU-AL-CU. Las agarraderas del conector eléctrico, si se incluyen, se deben utilizar solo con cables SIW, de clase B o de clase C.

Se proporcionan orificios previamente perforados y ubicados en un lugar conveniente en todos los gabinetes de los transformadores ventilados hasta 150 kVA de tres fases y 100 kVA de una sola fase, para facilitar la entrada de cables.

En el caso de los transformadores no ventilados, no se incluyen los orificios previamente perforados y debe utilizarse el conector para cable apropiado para la aplicación. Consulte el apéndice E (página 56-59) para ver las ubicaciones de entrada de cables. Si debe reubicarse un transformador para realizar

las conexiones de cable necesarias, deben respetarse todos los requisitos de seguridad y los procedimientos de levantamiento relacionados.

## Requisitos de conexión de cable

Se recomienda la entrada lateral de los cables para que las áreas ventiladas queden despejadas.

- En el caso de las carcasas tipo 3R (o tipo 2) estándares ventiladas tipo DH, se permite la entrada inferior solo en las áreas definidas en el apéndice E.
- El rendimiento apropiado del transformador depende del flujo de aire no restringido que ingresa a las ranuras de ventilación inferiores y sale a través de las ranuras de ventilación superiores.
- Si se bloquea la toma de ventilación inferior con conductos/cables de entrada inferior en el área definida entre la placa de entrada inferior, el interior de las patas del transformador y el piso, es posible que el transformador se sobrecaliente.
- En el caso de los gabinetes tipo DH, en los que la entrada inferior está permitida en las áreas designadas, un máximo de 50 % del área inferior frontal descrita anteriormente puede estar bloqueado con conductos/cables. En casos extremos, no más del 70 % de esta área puede estar obstruida, pero solo bajo la condición de que en este caso la separación indicada en la placa se mantenga en todos los lados del transformador (ambos lados, adelante y atrás).
- También se dispone de conectores acodados que ayudan con las conexiones de cables a las terminales, para reducir el espacio de curva en los cables.

Los paneles de conexión de cables de cobre enchapado o aluminio pueden utilizarse para conectar a las terminales de los transformadores. Las terminales deben limpiarse y se recomienda utilizar compuestos para las juntas eléctricas en todas las conexiones eléctricas.

Consulte la placa de los transformadores para ver las combinaciones de conexiones de voltaje primarias y secundarias, y las posiciones de toma primarias y secundarias según corresponda.

Los transformadores recibidos de fábrica tendrán cables de toma instalados en la posición nominal de voltaje o de 100 %. Las tomas aún pueden estar recubiertas de material de impregnación y aislamiento.

Para cambiar tomas, es necesario retirar delicadamente todos los contaminantes y el aislamiento de la superficie de la parte superior e inferior de las tomas (ojo o paneles) lijando los paneles al metal desnudo.

La superficie del cable de toma debe estar limpia y recubierta posteriormente con compuesto eléctrico sobre todos los contactos no enchapados entre el terminal de puente y la toma. Acople los puentes a las tomas según el apéndice D (dibujo 1 para ojos de conductor simple y paneles de toma o dibujo 2 para tomas de ojo del conductor doble).



La siguiente tabla puede utilizarse como pauta para los espacios mínimos de altitud que no excedan los 1000 m (3300 ft). Por encima de 1000 m (3300 ft), consulte a la fábrica.

Clase de tensión del transformador	Espacio mínimo (mm)	Espacio mínimo (in)
1.2 KV	25	1
2.5 KV	51	2
5.0 KV	102	4
8.7 KV	135	5,3
15 KV	203	8
18 KV	254	10
25 KV	305	12
34.5 KV	406	16

Nota: "Algunos componentes específicos de un transformador pueden requerir indicaciones de espacios diferentes de los indicados anteriormente. Para estas excepciones, debe cumplir con las instrucciones que se proporcionan en los planos de ensamblaje o en el procedimiento de instalación".

### **Puesta a tierra**



**PELIGRO**

### **PELIGRO DE DESCARGA ELÉCTRICA, EXPLOSIÓN O ARCO ELÉCTRICO**

*El incumplimiento de los procedimientos de conexión a tierra el transformador según todos los códigos y normas aplicables ocasionará lesiones personales graves o la muerte.*

Todos los conjuntos de núcleo y bobinas están sólidamente puestos a tierra y conectados a el gabinete internamente para asegurar que todas las piezas de metal conductor tengan el mismo potencial.

Para asegurar un funcionamiento seguro, el transformador debe estar correctamente puesto a tierra antes de que sea conectado. La mayoría de transformadores tienen una ubicación a tierra principal identificada como corresponde. Si no se proporciona una ubicación a tierra principal, es responsabilidad del contratista que instala realizar y verificar las conexiones a tierra necesarias.

Esta puesta a tierra debe guardar conformidad con todos los códigos y estándares eléctricos nacionales y locales.

### **Modificación del Transformador**



**PELIGRO**

### **RIESGO DE DESCARGA ELÉCTRICA, EXPLOSIÓN O ARCO ELÉCTRICO**

*Aplicación incorrecta o mal uso puede resultar en heridas graves o muerte del personal y/o daños a la propiedad*

La aplicación de este equipo es responsabilidad del cliente o de su agente. Aplicación incorrecta o mal uso puede resultar en heridas graves o muerte del personal y/o daños a la propiedad.

Cualquier modificación a este equipo necesita cumplir con todos los códigos y estándares aplicables, y ciertas modificaciones pueden poner el riesgo los términos de la Garantía. Es responsabilidad del(os) individuo(s) que realice(n) cualquier modificación al equipo el (i) asegurar que los requisitos de desempeño y seguridad siguen en cumplimiento aún con las modificaciones realizadas al equipo; y, (ii) confirmar que las modificaciones propuestas no invalidarán la Garantía del Fabricante.

### **Antes de la energización**



**PELIGRO**

### **PELIGRO DE DESCARGA ELÉCTRICA, EXPLOSIÓN O ARCO ELÉCTRICO**

*Si no instala el transformador según todos los códigos y estándares aplicables y las instrucciones de este manual, se producirán lesiones personales graves, la muerte o daños materiales.*

### **Para un funcionamiento seguro y apropiado del transformador, revise y verifique lo siguiente:**

- Asegure conexiones correctas de fase. Consulte el diagrama de vectores de la placa.
- La carga en un devanado secundario en delta con una toma central de 120 voltios no debe superar la clasificación normal de corriente del devanado. Esta toma central está diseñada para un máximo de 5 % del kVA de la placa.
- Cuando los devanados están conectados en paralelo (como en el caso de primarios de doble voltaje), las tomas primarias para todas las bobinas deben estar conectadas a las posiciones de toma de porcentaje

idéntico para evitar cortocircuitos en las espiras o desbalances de voltaje. Para conocer las posiciones de las tomas, consulte la placa del transformador.

- d) El gabinete debe ser puesto a tierra con el conductor de tamaño apropiado según los requisitos de los códigos y estándares locales.
- e) La carga total entre todas las fases debe equilibrarse lo más que se pueda para un rendimiento óptimo de los devanados de los transformadores. La carga kVA en cada fase no debe superar 1/3 de la clasificación kVA de la placa del transformador.
- f) Debe verificarse la separación y el ajuste apropiados de todas las conexiones eléctricas.
- g) Siguiendo las precauciones de seguridad apropiadas, después de energizar y antes de conectar cualquier carga, mida y verifique que el voltaje de salida coincida con las especificaciones de la placa.
- h) Si existe alguna razón para sospechar que el transformador ha estado expuesto a la humedad durante el tránsito o almacenamiento, debe verificarse si está seco antes de conectarse. Esto puede realizarse mediante una prueba de resistencia al aislamiento (Prueba Megger). Si se sospecha de alguna exposición a la humedad, debe secarse el transformador antes de conectarlo siguiendo los procedimientos de secado de la página 50.

## Operación



### PELIGRO

#### PELIGRO DE DESCARGA ELÉCTRICA, EXPLOSIÓN O ARCO ELÉCTRICO

*El incumplimiento de los procedimientos de operación del transformador según todos los códigos y normas aplicables y las instrucciones adjuntas ocasionará lesiones personales graves o la muerte.*



### ADVERTENCIA

*Si no se identifican ni corrigen las primeras causas del sobrecalentamiento del transformador, pueden producirse la muerte o lesiones personales, daños materiales o una reducción considerable de la expectativa de vida del transformador.*

Bajo condiciones operativas de carga completa, los transformadores tipo seco pueden parecer tibios al tacto, particularmente en la cubierta de la unidad.

Los estándares permiten que las temperaturas de la cubierta alcancen los 65 °C (149 °F) sobre el ambiente.

Los transformadores tipo seco están diseñados para funcionar de forma continua según la clasificación kVA completa indicada en su placa bajo condiciones operativas normales.

ANSI C57.96 brinda pautas para cargar transformadores bajo diferentes condiciones operativas que incluyen las siguientes:

- ➔ Temperaturas ambiente que difieren de las temperaturas ambiente requeridas para el funcionamiento del transformador. ANSI recomienda una temperatura ambiente máxima de 40 °C.
- ➔ Sobrecarga de corto tiempo relacionada con el tiempo y la temperatura y la correspondiente pérdida de vida del transformador.
- ➔ Sobrecarga que da lugar a una reducción de la expectativa de vida del transformador.

Si el transformador es sometido a temperaturas operativas mayores, deben considerarse y corregirse inmediatamente los siguientes factores que contribuyen a ello:

- ➔ Cargas de arranque del motor rigurosas u otra carga tipo impacto. Para este tipo de aplicaciones se requiere un tipo específico de transformador.
- ➔ Sobreexcitación de la unidad debido a un exceso de voltaje o corriente de la línea de suministro.
- ➔ Temperaturas ambiente por encima del estándar.
- ➔ Sobrecarga más allá de las pautas ANSI C57.96.
- ➔ Distorsiones armónicas del voltaje y corrientes de la línea de suministro.

Si se observa un sobrecalentamiento, cualquier intento por agregar enfriamiento complementario por ventilador debe guardar conformidad con las pautas de instalación de la fábrica. Los ventiladores instalados incorrectamente pueden dirigir mal el flujo de aire y causar un deterioro grave de la expectativa de vida del aislamiento en una bobina del transformador.

Los transformadores tipo seco pueden cerrarse y almacenarse durante períodos extendidos de tiempo sin ningún deterioro. Debe ejercerse precaución para limpiar y secar las unidades antes de conectarlas a la corriente, como se indicó anteriormente. Es fundamental un empaque adecuado y medidas para prevenir la humedad durante el almacenamiento.

## Mantenimiento



### PELIGRO

#### PELIGRO DE DESCARGA ELÉCTRICA, EXPLOSIÓN O ARCO ELÉCTRICO

*Si no desconecta la corriente, aísla ni conecta a tierra los terminales del transformador ni verifica el potencial de tierra en todos los terminales antes de realizar cualquier trabajo en el transformador, se producirán lesiones personales graves o la muerte.*

*Si inserta cualquier objeto a través de las aberturas de ventilación mientras el transformador está conectado a la corriente, se producirán lesiones personales graves o la muerte.*

Bajo condiciones y ambientes de operación normales, los transformadores tipo seco requieren un cuidado e inspección periódicos. Esto es básico si la unidad se instala en condiciones ambientales difíciles (por ejemplo, afuera, ambientes con altos niveles de contaminantes y polvo, etc.).

Puede realizarse una inspección periférica y una eliminación de polvo externo mientras el transformador está funcionando. Sin embargo, no deben abrirse las cubiertas de acceso ni deben insertarse objetos a través de las aberturas de ventilación del transformador cuando esté conectado a la corriente.

#### Debe realizarse un mantenimiento interno solo con el transformador desconectado de la corriente, aislado y con todos los terminales puestos a tierra.

El mantenimiento normalmente incluye limpieza interna, ajuste de enlaces y conexiones con perno a niveles de torsión prescritos, servicio e inspección de dispositivos auxiliares y un escaneo infrarrojo o imagen térmica del transformador.

Los ductos de aire deben mantenerse libres de cualquier acumulación de polvo y restos, y todas las conexiones con perno en los terminales deben estar en buenas condiciones. Recomendamos que bajo un mantenimiento anual programado o a intervalos regulares más cortos, se revisen las conexiones en busca de valores de torsión apropiados y signos de oxidación, arqueamiento y conexión eléctrica inapropiada. Si se identifican conexiones inapropiadas, deben corregirse de inmediato.

La aspiración o soplo de aire comprimido de arriba a abajo es una práctica aceptada para eliminar polvo de los ductos de una bobina del transformador. Debe utilizarse presión baja y aire seco para evitar que objetos extraños contaminen más los devanados.

También debe revisarse la conexión a tierra

para asegurar una conexión de baja impedancia. La acumulación de hielo, nieve o cualquier otro objeto que bloquee la ventilación debe limpiarse de inmediato durante el funcionamiento del transformador para asegurar una ventilación adecuada.

En unidades exteriores donde se han instalado filtros, su exposición continua a la atmósfera externa puede causar que los filtros se ensucien rápido. Una revisión periódica de los filtros ayudará a evitar la obstrucción del filtro y, por ende, el sobrecalentamiento del transformador. Además, nunca ejecute el transformador sin los filtros instalados apropiadamente.

VALORES DE TORQUE RECOMENDADOS PARA CONEXIONES ELÉCTRICAS CON PERNOS			
TAMAÑO DEL TORNILLO	ACERO CARBONO	BRONCE	ACERO INOXIDABLE
	GRADO 5 ft-lb [Nm] ±5 %	ALEACIÓN CU270 ft-lb [Nm] ±5 %	B8 O B8M ft-lb [Nm] ±5 %
1/4-20	7 [10]	3.8 [5]	5 [6]
3/8-16	20 [27]	14 [18]	15 [20]
1/2-13	60 [70]	33 [45]	37 [50]
8 mm	20 [23]	12 [14]	12 [14]
12 mm	60 [70]	33 [45]	37 [50]

**\*Nota: Los valores de torque anteriores aplican a pernos secos sin lubricar.**

## Secado de los transformadores



### PELIGRO

#### PELIGRO DE DESCARGA ELÉCTRICA, EXPLOSIÓN O ARCO ELÉCTRICO

*Si no aplica los procedimientos de secado adjuntos antes de energizar los transformadores expuestos anteriormente a la humedad, se producirán lesiones personales graves o la muerte, o daños materiales.*

En caso de que los transformadores hayan estado expuestos a la humedad en forma de condensación o lluvia, se requiere secar el transformador antes de conectarlo a la corriente.

Se puede secar con aire caliente o calentado, calor radiante o calor interno que esté dirigido a través de los devanados. El aire calentado debe tener la capacidad de elevarse a través de los devanados durante un mínimo de veinticuatro (24) horas después de que la evidencia de humedad ya no sea visible.

Es posible que los transformadores que han sido expuestos a condiciones de inundación, lluvia directa

o rociadores no se sequen de manera adecuada. La resistencia del aislamiento, núcleo a primario, núcleo a secundario y primario a secundario debe ser mayor a 10.000 ohm. Comuníquese con el fabricante del transformador para recibir instrucciones apropiadas.

## Accesorios



### PELIGRO

#### PELIGRO DE DESCARGA ELÉCTRICA, EXPLOSIÓN O ARCO ELÉCTRICO

*Al instalar transformadores (sin importar la ubicación), el contratista que instala es responsable de una instalación correcta en conformidad con las instrucciones adjuntas y todos los códigos y estándares aplicables (incluidos los sísmicos). Si no se cumple con esto, se producirán lesiones personales graves o la muerte, o daños materiales.*

Los transformadores de distribución tipo seco están disponibles con un conjunto de accesorios para facilitar la instalación. Consulte con su distribuidor local para comprar cualquiera de los accesorios de los productos que están en almacén. Algunos accesorios de uso frecuente incluyen los siguientes:

#### 1) Soportes de montaje en pared

Los transformadores tipo seco ventilados normalmente están diseñados solo para instalarse en el piso. Sin embargo, según el tipo de gabinete, algunas unidades ventiladas de hasta 112,5 kVA vienen con gabinetes que tienen capacidades integrales de montaje en pared o pueden montarse en pared utilizando juego de accesorios. Estas unidades pueden instalarse convenientemente en paredes, vigas o postes. Para clasificaciones sísmicas (cuando corresponda), consulte la placa de identificación de la unidad.

Los transformadores tipo seco ventilados y convencionales tienen una pantalla inferior para convección de aire. Cuando los transformadores se montan por encima de la superficie del suelo, debe instalarse una (placa de goteo) placa recogedora debajo de cada transformador como medida de precaución contra cualquier partícula caliente que pueda caer a través de la pantalla en caso de una condición defectuosa. Consulte el Apéndice B y el C (páginas 53 y 54).

#### 2) Almohadillas de aislamiento del sonido y juego de accesorios de aislamiento de vibración

Para una máxima absorción de la vibración y reducciones en los niveles de sonido, se recomienda instalar almohadillas adicionales para aislar el sonido entre el transformador y la superficie de montaje.

Estos conjuntos de neopreno moldeado y placa de acero prácticamente eliminan el ruido y la vibración entre

el transformador y la superficie de montaje.

Consultar el catálogo de productos de los fabricantes de transformadores para el número de parte de la almohadilla de aislamiento correcto requerido.

#### 3) Conectores (paneles)

Los conectores para la instalación de transformadores tipo seco están disponibles. Estos conectores son apropiados para utilizarse con cables de cobre o aluminio.

Los conectores deben tener un tamaño, ser instalados y ser conectados a los cables de acuerdo con los requisitos de su código eléctrico local siguiendo las mejores prácticas para asegurar un funcionamiento seguro y confiable. Las superficies de los cables deben limpiarse correctamente y debe utilizarse un compuesto eléctrico para todas las conexiones.

Reemplazar las zapatas (lugs) suministradas por el fabricante con zapatas (lugs) adecuadas para una aplicación específica del cliente (siempre que sean adecuadas para la corriente para la cual fue diseñado el transformador) es aceptable y puede ser hecho por el cliente sin anular las aprobaciones de fábrica.

#### Selección de conectores

- a) Determine la corriente primaria para el transformador requerido del apéndice A.
- b) De forma similar, determine la corriente nominal secundaria para el transformador indicada en el apéndice A.
- c) Para las conexiones de voltaje 120/240, la corriente debe basarse en 120 voltios.
- d) Para las conexiones de 240/480 voltios, la corriente debe basarse en 240 voltios.

## APÉNDICE A

### CLASIFICACIONES DE AMPACIDAD PARA LAS CONEXIONES

A. Para un transformador de una sola fase

$$\text{Amperes de línea} = \frac{\text{Amperes de voltio}}{\text{Voltios de línea}}$$

B. Para un transformador de tres fases

$$\text{Amperes de línea} = \frac{\text{Amperes de voltio}}{1.732 \times \text{voltios de línea}}$$

**Tabla de corriente de carga completa  
Transformador de una sola fase**

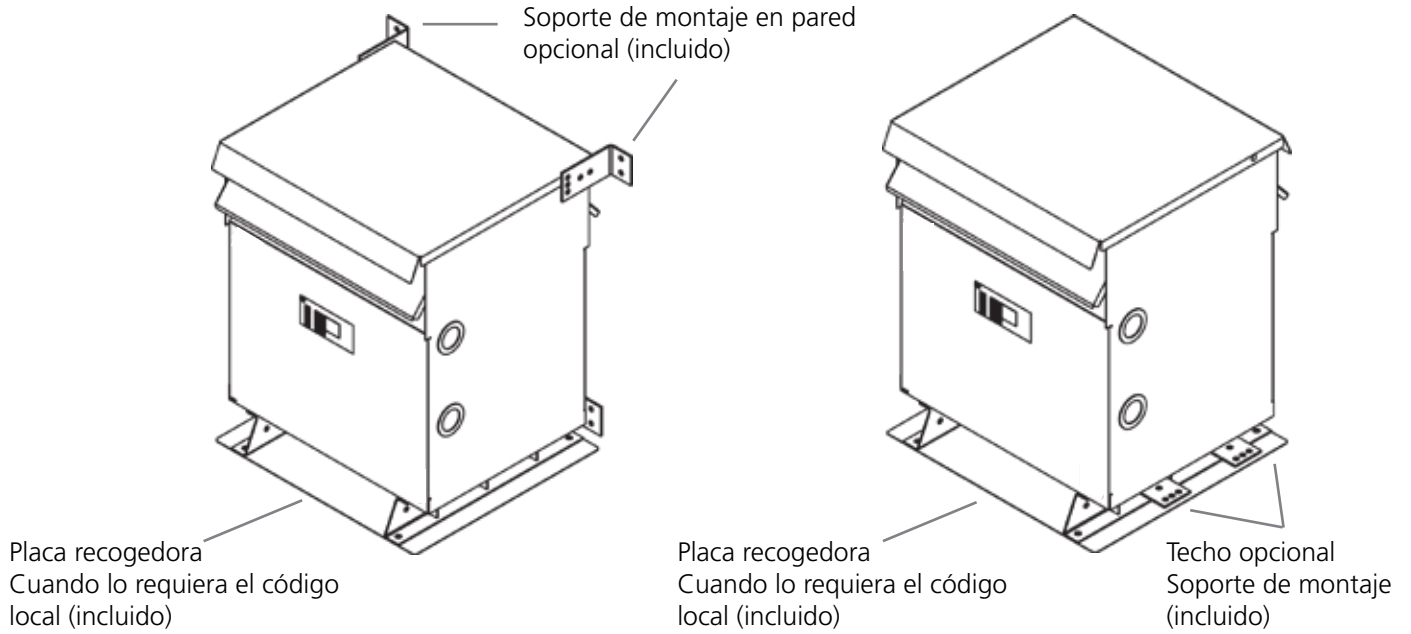
kVA	Corriente en amperes					
	120 V	240 V	480 V	600 V	2400 V	4160 V
0.50	4.17	2.08	1.04	0.83	-	-
0.75	6.25	3.13	1.56	1.25	-	-
1.0	8.33	4.17	2.08	1.67	-	-
1.5	12.5	6.25	3.13	2.50	-	-
3.0	25.0	12.5	6.25	5.00	1.25	0.72
5.0	41.7	20.8	10.4	8.33	2.08	1.20
7.5	62.5	31.3	15.6	12.5	3.13	1.80
10	83.3	41.7	20.8	16.7	4.17	2.40
15	125	62.5	31.3	25.0	6.25	3.61
25	208	104	52.1	41.7	10.4	6.01
37.5	313	156	78.1	62.5	15.6	9.01
50	417	208	104	83.3	20.8	12.0
75	625	313	156	125	31.3	18.0
100	833	417	208	167	41.7	24.0
150	1250	625	313	250	62.5	36.0
167	1392	696	348	278	69.6	40.1
250	2083	1042	521	417	104	60.1
333	2775	1388	694	555	139	80.0

**Tabla de corriente de carga completa  
Transformador de tres fases**

kVA	Corriente en amperes					
	208 V	240 V	480 V	600 V	2400 V	4160 V
3	8.33	7.22	3.61	2.89	0.72	0.42
6	16.7	14.4	7.22	5.77	1.44	0.83
9	25.0	21.7	10.8	8.66	2.17	1.25
15	41.6	36.1	18.0	14.4	3.61	2.08
30	83.3	72.2	36.1	28.9	7.22	4.16
45	125	108	54.1	43.3	10.8	6.25
75	208	180	90.2	72.2	18.0	10.4
100	278	241	120	96.2	24.1	13.9
112.5	312	271	135	108	27.1	15.6
150	416	361	180	144	36.1	20.8
225	625	541	271	217	54.1	31.2
300	833	722	361	289	72.2	41.6
450	1249	1082	541	433	108	62.4
500	1388	1203	601	481	120	69.4
600	1665	1443	722	577	144	83.3
750	2082	1804	902	722	180	104
1000	2776	2406	1203	962	241	139
1500	4164	3609	1804	1443	361	208
2000	5552	4811	2406	1925	481	278
2500	6940	6014	3007	2406	601	347
3000	8327	7217	3608	2887	722	416

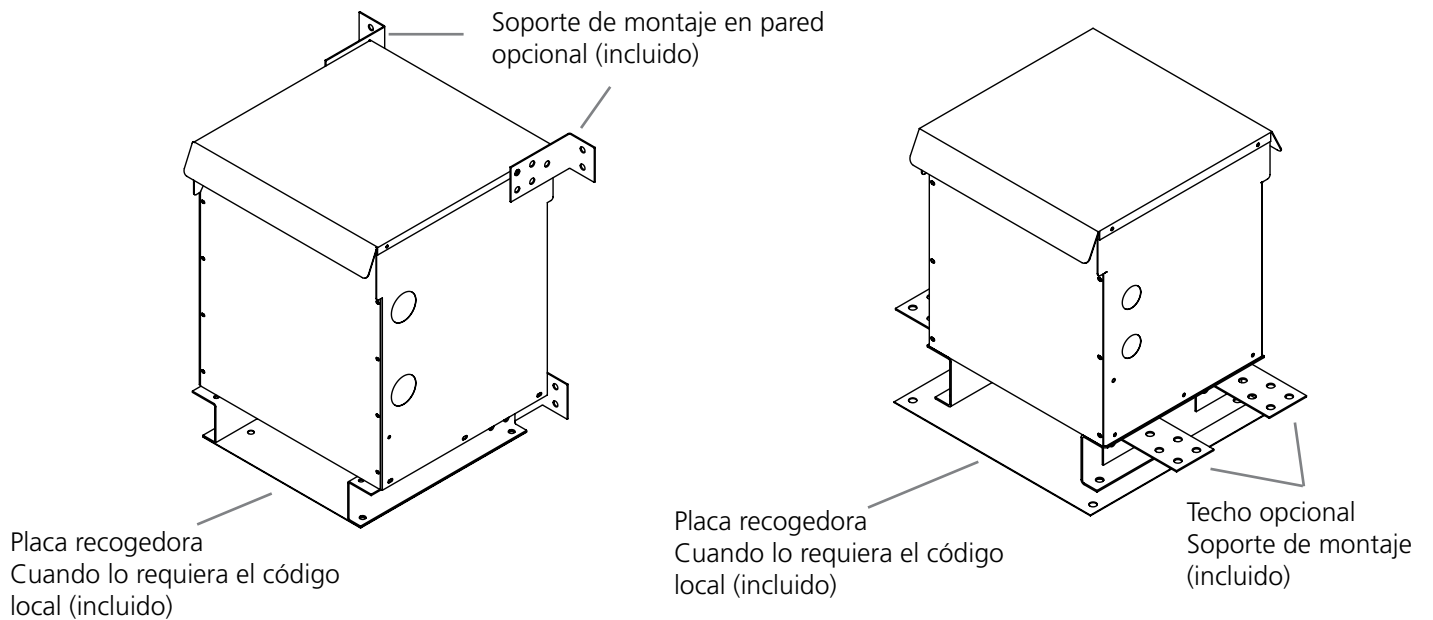
**APÉNDICE B**

UBICACIÓN DE SOPORTES DE MONTAJE EN PARED Y PLACAS RECOGEDORAS INCLUIDAS EN EL JUEGO DE ACCESORIOS DW3  
 PARA GABINETES 3R (2) TIPO SERIE DH3

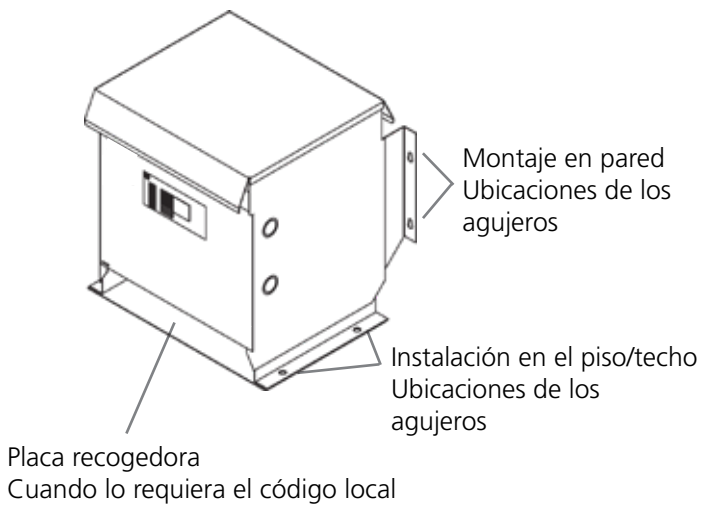


UBICACIÓN DE SOPORTES DE MONTAJE EN PARED Y PLACAS RECOGEDORAS INCLUIDAS EN EL JUEGO DE ACCESORIOS  
 NW2

PARA GABINETES 3R TIPO SERIE NH3

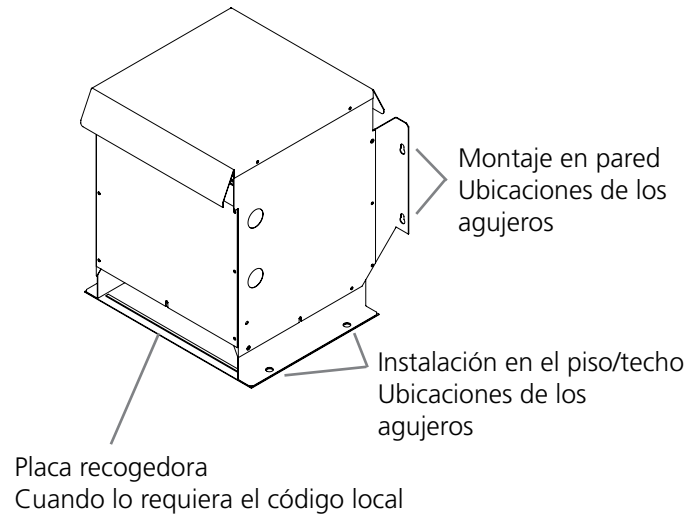


### APÉNDICE C



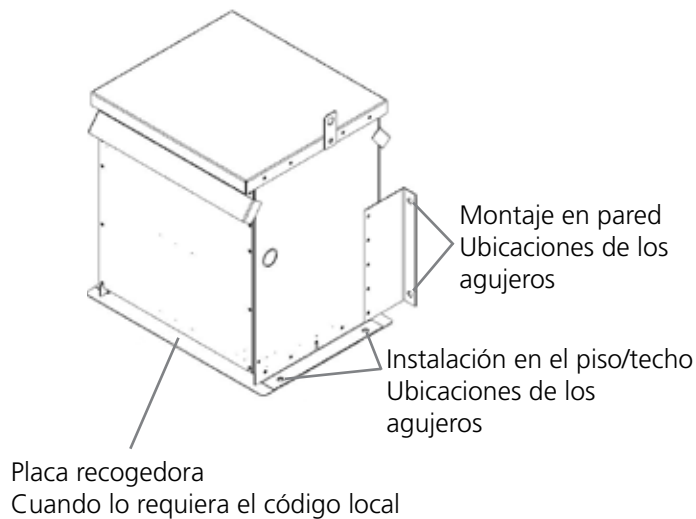
UBICACIÓN DE SOPORTES DE MONTAJE EN PARED Y  
PLACAS RECOGEDORAS INCLUIDAS EN EL DH1DP Y  
DH2DP

PARA GABINETES 3R (2) TIPO SERIE DH1 Y DH2



UBICACIÓN DE SOPORTES DE MONTAJE EN PARED Y  
PLACAS RECOGEDORAS INCLUIDAS EN EL NH5DP Y  
NH6DP

PARA GABINETES 3R TIPO SERIE NH5 Y NH6



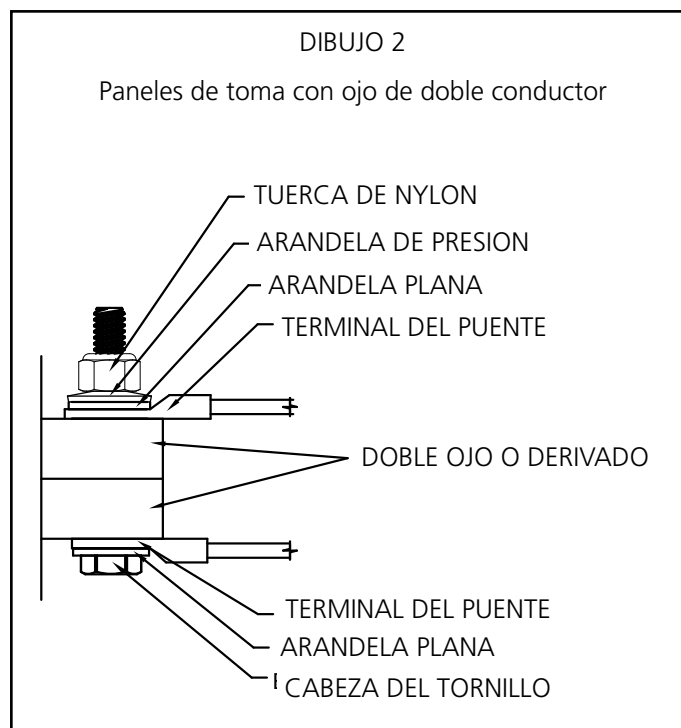
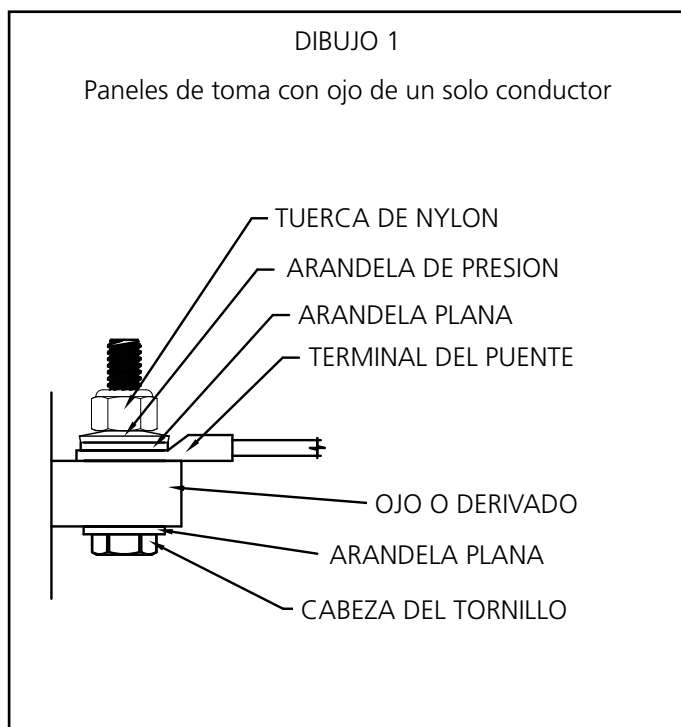
UBICACIÓN DE SOPORTES DE MONTAJE DE PARED Y  
PLACAS DE RECOGEDORA OPCIONALES INCLUIDAS EN EL  
CN1DP, CN2DP Y CN3DP

PARA CARCASAS 3R TIPO SERIE CN1, CN2 Y CN3



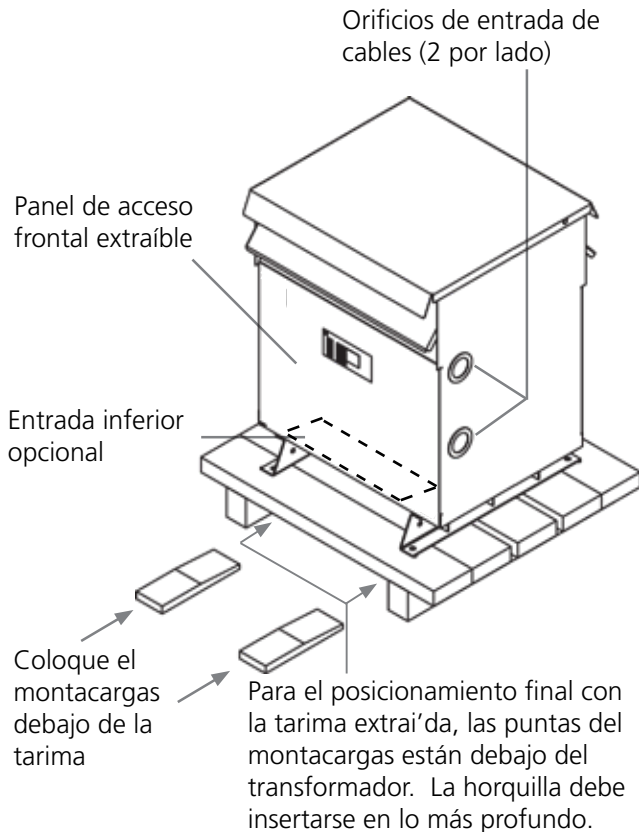
**APÉNDICE D**

Dibujos del conjunto del puente



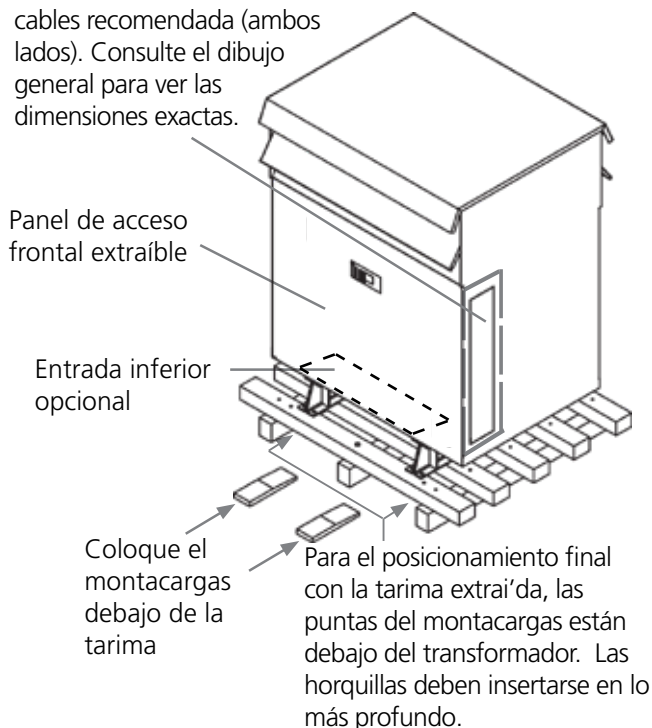
## APÉNDICE E

### Ubicaciones de entrada de cable sugeridas



\*La foto de arriba muestra un típico recinto de estilo DH 3R

Ubicación de entrada de cables recomendada (ambos lados). Consulte el dibujo general para ver las dimensiones exactas.



\*La foto de arriba muestra un típico recinto de estilo DH 3R

### FIGURA 1

#### Conjunto de gabinete ventilado típico tipo 3R (tipo 2), DH1 a DH4 para transformadores de tres fases y de una sola fase.

Notas:

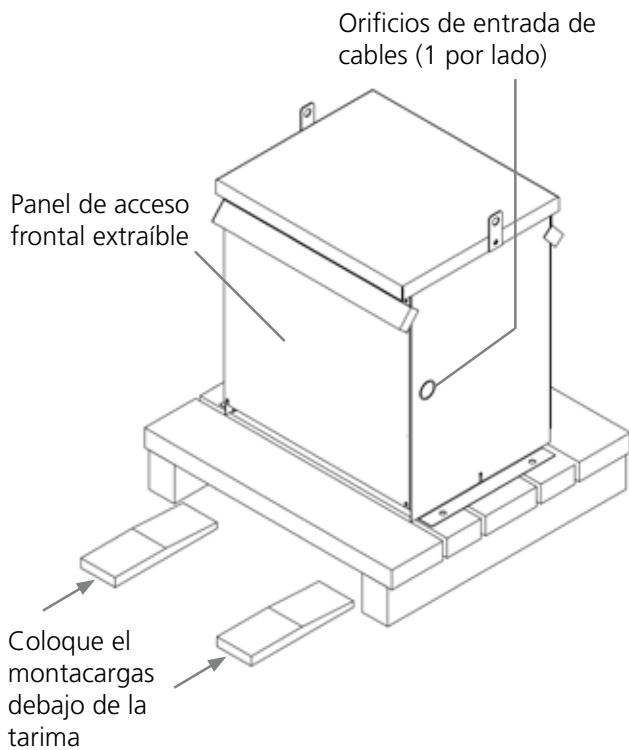
1. Manipulación: las unidades están diseñadas para ser levantadas por un montacargas desde debajo de la tarima. El posicionamiento final de la unidad con la tarima extraída puede ser mediante un montacargas debajo del transformador con la horquilla entre los canales.
2. Envío: las unidades se envían sobre tarimas que deben extraerse en la instalación.
3. Instalación: este transformador puede instalarse en interiores o exteriores mientras se ofrezca un grado de protección contra la lluvia, el granizo y la formación externa de hielo.
4. Todos los transformadores de uso general/aislamiento de mando deben estar ubicados lejos de cualquier pared u otra obstrucción; consulte la placa para conocer la distancia mínima.
5. NO bloquee el área de ventilación inferior.

### FIGURA 2

#### Conjunto de gabinete ventilado típico tipo serie 3R (2), DH5 a DH10 para transformadores de tres fases o de una sola fase.

Notas:

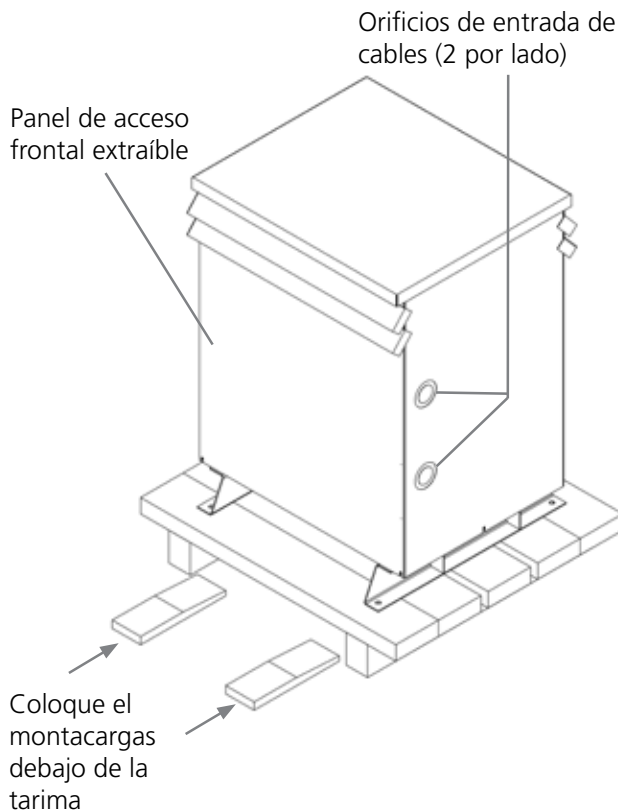
1. Manipulación: las unidades están diseñadas para ser levantadas por un montacargas por debajo de la tarima. El posicionamiento final de la unidad con la tarima extraída puede ser mediante un montacargas debajo del transformador con la horquilla entre los canales. **(Nota: Los transformadores que pesan más de 2350 lb deben levantarse sacando el panel superior y accediendo a las provisiones de levantamiento sobre la parte superior del núcleo y las bobinas).**
2. Envío: las unidades se envían sobre tarimas que deben extraerse en la instalación.
3. Instalación: este transformador puede instalarse en interiores o exteriores mientras se ofrezca un grado de protección contra la lluvia, el granizo y la formación externa de hielo.
4. Todos los transformadores de uso general/aislamiento de mando deben estar ubicados lejos de cualquier pared u otra obstrucción; consulte la placa para conocer la distancia mínima. (Nota: Estos gabinetes no están diseñados para ser instalados en la pared. Pueden instalarse sobre una plataforma proporcionada por el cliente).
5. NO bloquee el área de ventilación inferior.

**FIGURA 3**

**Conjunto de carcasa ventilada típica tipo 3R, CN1 a CN3 para transformadores de tres fases y de una sola fase.**

Notas:

1. Manipulación: las unidades están diseñadas para ser levantadas por un montacargas desde debajo de la tarima. El posicionamiento final de la unidad con la plataforma retirada puede realizarse mediante un accesorio de elevación montado en un montacargas.
2. Envío: las unidades se envían sobre tarimas que deben extraerse en la instalación.
3. Instalación: este transformador puede instalarse en interiores o exteriores mientras se ofrezca un grado de protección contra la lluvia, el granizo y la formación externa de hielo.
4. Todos los transformadores de uso general/aislamiento de mando deben estar ubicados lejos de cualquier pared u otra obstrucción; consulte la placa para conocer la distancia mínima.
5. NO bloquee el área de ventilación inferior.

**FIGURA 4**

**Conjunto de carcasa ventilada típica tipo serie 3R, CN4 a CN7 para transformadores de tres fases o de una sola fase.**

Notas:

1. Manipulación: las unidades están diseñadas para ser levantadas por un montacargas por debajo de la tarima. El posicionamiento final de la unidad con la tarima extraída puede ser mediante un montacargas debajo del transformador con la horquilla entre los canales.
2. Envío: las unidades se envían sobre tarimas que deben extraerse en la instalación.
3. Instalación: este transformador puede instalarse en interiores o exteriores mientras se ofrezca un grado de protección contra la lluvia, el granizo y la formación externa de hielo.
4. Todos los transformadores de uso general/aislamiento de mando deben estar ubicados lejos de cualquier pared u otra obstrucción; consulte la placa para conocer la distancia mínima. (Nota: Estos gabinetes no están diseñados para ser instalados en la pared. Pueden instalarse sobre una plataforma proporcionada por el cliente).
5. NO bloquee el área de ventilación inferior.

**FIGURA 5****Conjunto de gabinete ventilado típico tipo 3R, serie NH para transformadores de tres fases y de una sola fase.**

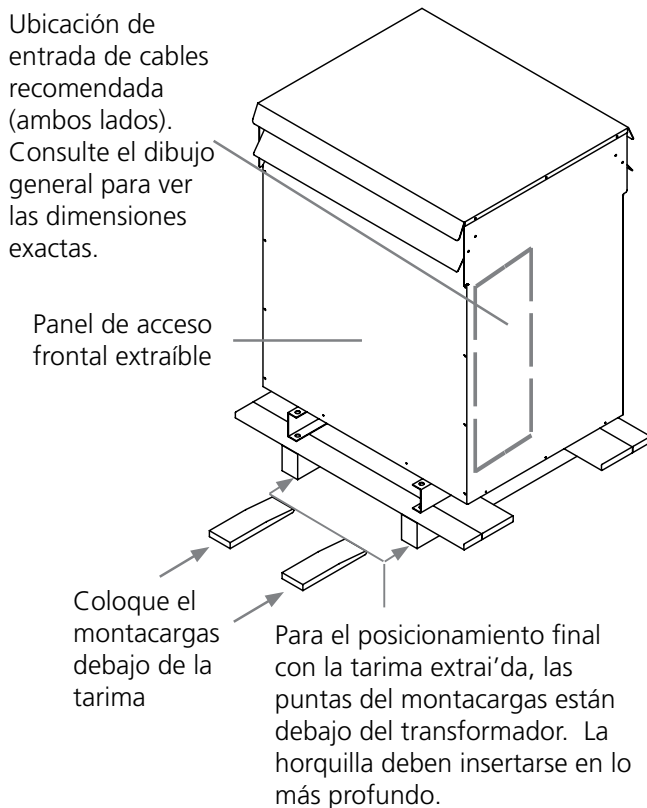
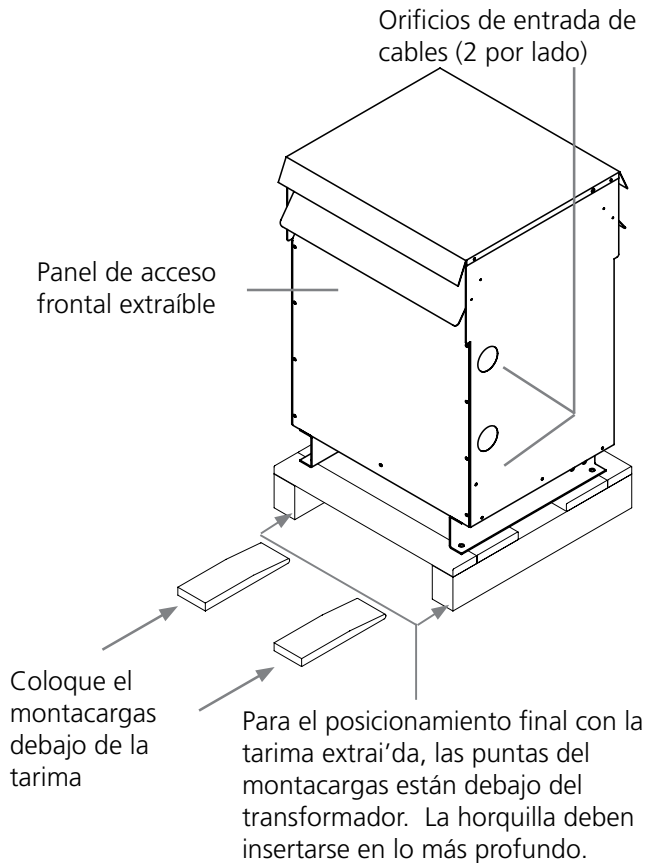
Notas:

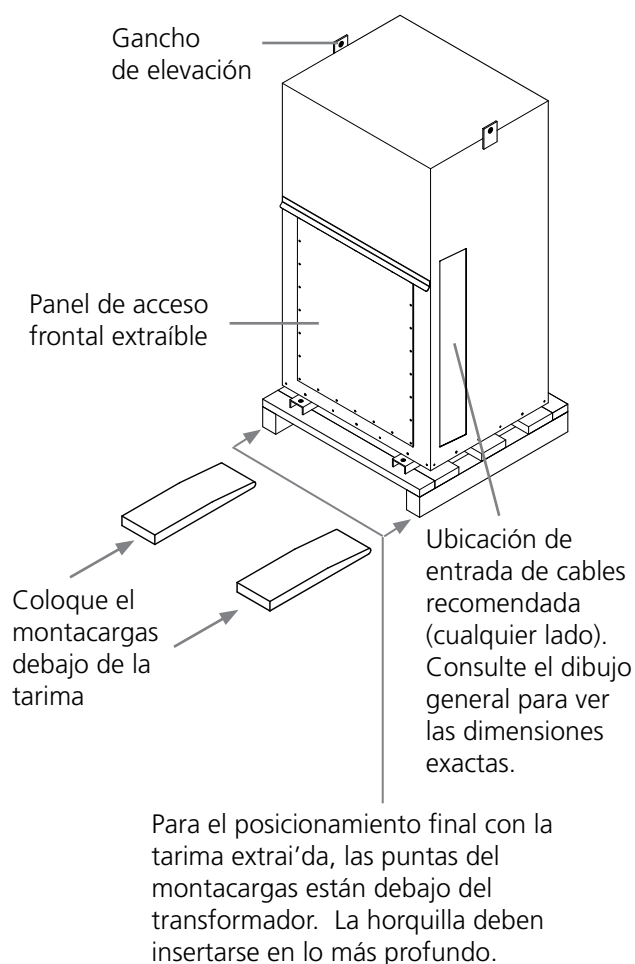
1. Manipulación: las unidades están diseñadas para ser levantadas por un montacargas debajo de la tarima. El posicionamiento final de la unidad con la tarima extraída puede ser mediante un montacargas debajo del transformador con la horquilla entre los canales.
2. Envío: las unidades se envían sobre tarimas que deben extraerse en la instalación.
3. Instalación: este transformador puede instalarse en interiores o exteriores mientras se ofrezca un grado de protección contra la lluvia, el granizo y la formación externa de hielo.
4. Todos los transformadores de uso general/aislamiento de mando deben estar ubicados lejos de cualquier pared u otra obstrucción; consulte la placa para conocer la distancia mínima.
5. NO bloquee el área de ventilación inferior.

**FIGURA 6****Conjunto de gabinete ventilado típico tipo 3R, serie NJ para transformadores de tres fases o de una sola fase.**

Notas:

1. Manipulación: las unidades están diseñadas para ser levantadas por un montacargas desde debajo del palé. El posicionamiento final de la unidad con la tarima extraída puede ser mediante un montacargas debajo del transformador con la horquilla entre los canales. **(Nota: Los transformadores que pesan más de 2350 lb deben levantarse sacando el panel superior y accediendo a las provisiones de levantamiento sobre la parte superior del núcleo y las bobinas).**
2. Envío: las unidades se envían sobre tarimas que deben extraerse en la instalación.
3. Instalación: este transformador puede instalarse en interiores o exteriores mientras se ofrezca un grado de protección contra la lluvia, el granizo y la formación externa de hielo.
4. Todos los transformadores de uso general/aislamiento de mando deben estar ubicados lejos de cualquier pared u otra obstrucción; consulte la placa para conocer la distancia mínima. (Nota: Estos gabinetes no están diseñados para ser instalados en la pared. Pueden instalarse sobre una plataforma proporcionada por el cliente).
5. NO bloquee el área de ventilación inferior.



**FIGURA 7**

**Conjunto de gabinete no ventilado típico tipo 4 y 12, serie NH para transformadores de tres fases o de una sola fase.**

Notas:

1. Manipulación: las unidades están diseñadas para ser levantadas por un montacargas desde debajo de la tarima. El posicionamiento final de la unidad con la tarima extraída puede ser mediante un montacargas debajo del transformador con la horquilla entre los canales o con los ganchos de elevación si es el caso.
2. Envío: las unidades se envían sobre tarimas que deben extraerse en la instalación.
3. Instalación: este es un gabinete no ventilado para interiores o exteriores diseñada principalmente para brindar un grado de protección contra la suciedad, la lluvia, el granizo, la nieve, el polvo soplado por el viento, el agua que salpica, el agua dirigida por manguera y que no será dañada por la formación externa de hielo en el gabinete. Es apto para áreas en donde la exposición a grandes cantidades de agua de cualquier dirección es posible. (Nota: no sumergible)
4. Todos los transformadores de uso general/aislamiento de mando deben estar ubicados lejos de cualquier pared u otra obstrucción; consulte la placa para conocer la distancia mínima.

## NOTAS