

Project: _____

Type: _____

Drawn by: _____ Catalogue #: _____

Date: _____

Individual Spec Sheet

GIMBAL HIGH OUTPUT 3.5" LED DOWNLIGHT

ORDERING INFORMATION

Order code: 69015
Model number: DL/GIMBAL/3.5IN/RND/12W/5C/WH
UPC: 069549023390
Case quantity: 24

PHYSICAL DATA

Size in (cm): 4" 1/2 x 2" 1/2 (11.5 cm x 6.45 cm)
Shape: Round
Finish: White
Lens type: Clear Polycarbonate
Mounting: Recessed

PERFORMANCE DATA

Watts (W): 12
Volts (V AC): 120
Color temperature (K)¹: 2 700/3 000/3 500/4 000/5 000
Lumen output (lm)²: 850
Lumen per Watts (lm/W): 71
CRI: 90+
Life L70 (h)³: 50 000
Beam angle (°): 40
Environment: Wet location
THD (%): <20
Power factor: >0.9
Cable rating: FT6
Operating temp. range: -20 °C to 45 °C (-4 °F to 113 °F)
Dimmable: Yes

¹ Typical color temperature range: +/- 5 %.

² Lumen values are derived from Energy Star reported data. Initial lumens range: +/- 10 %.

³ Life hours are derived from IESNA LM80-08 testing report and projected per IESNA TM-21-11 extrapolations.

COMPATIBLE ACCESSORIES (order separately)

Order code	Model number	Type
66049	ACC/MPLATE/3.625IN/SQR/STD	Square mounting plate
66056	ACC/MPLATE/3.625IN/ADJ/STD	Adjustable mounting plate
66142	ACC/3/VAPOR BARRIER/STD	Vapor barrier extender
66820 ¹	ACC/MPLATE/3.625IN/HANG.BARS/STD	Mounting plate with hanger bars

¹ Includes brackets and screws.



IC
rated



ICES
005



This lighting equipment complies with Canadian standard ICES-005 for use in residential applications. Data is based upon tests performed in a controlled environment. Actual performance can vary depending on operating conditions. Specifications are subject to change without notice.

LUMEN SPECIFICATION TABLE

Order code	Model number	Watts (W)	2 700 K		3 000 K		3 500 K		4 000 K		5 000 K	
			Lumen output (lm)	Efficacy (lm/W)	Lumen output (lm)	Efficacy (lm/W)	Lumen output (lm)	Efficacy (lm/W)	Lumen output (lm)	Efficacy (lm/W)	Lumen output (lm)	Efficacy (lm/W)
69015	DL/GIMBAL/3.5IN/RND/12W/5C/WH	12	852.5	71	875.6	73	850.6	70.9	889.9	74.2	1094.5	91.2

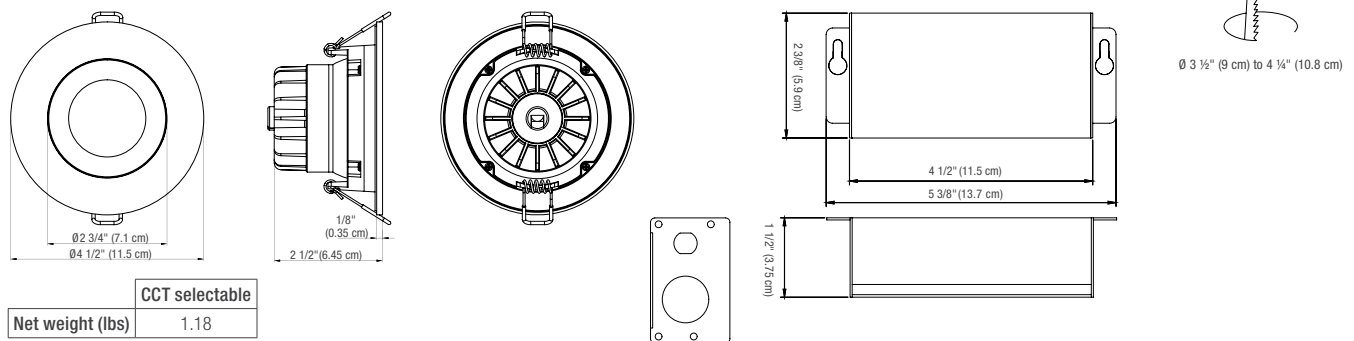
COMPATIBLE DIMMERS¹

Brand	Model number
Legrand	RH703PTUTC
Cooper	AAL06, SAL06P3
Leviton	IPL06, 6674, DSL06-1ZL, DSM10-1LZ, DDMX1
Lutron	PD-5NE, PD-6WCL, RRD-6NA, DVCL-153P, CTCL-153P, DVCL-253P, AYCL-253P, DVRP-253, SELV-300P, MACL-153P

Dimming range: 10%-100%

¹ This table shows dimmers that have been tested and have demonstrated proper operation under normal conditions. Each installation being unique, various factors such as load, common neutrals or other electrical products on the circuit can, in certain instances, cause variance in system performance. Read and comply to the dimmer installation instructions. Consult dimming system manufacturer for additional support in operation. Some dimmers may require more than one product for stable operation. Stanpro recommends to use dimmers designed to work with LED products. Older dimmers designed for incandescent products may cause erratic operation.

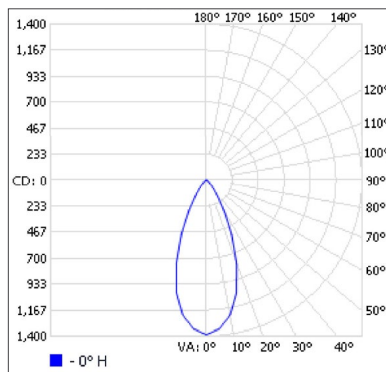
DIMENSIONS AND WEIGHT



PHOTOMETRIC DATA¹

69015 • DL/GIMBAL/3.5IN/RND/12W/5C/WH • 3 500 K • 850.6 lm

Polar candela distribution



Zonal lumen summary

Zone	Lumens	% Fixture
0-30	652.9	76.8%
0-40	770.5	90.6%
0-60	838.4	98.6%
60-90	12.1	1.4%
70-100	3.5	0.4%
90-120	0	0%
0-90	850.6	100%
90-180	0	0%
0-180	850.6	100%

Illuminance at a distance

Center beam fc	Beam width
1.7'	1.4'
3.3'	2.7'
5.0'	4.0'
6.7'	5.4'
8.3'	6.7'
10.0'	8.1'

■ Vert. spread: 43.9°

¹ Complete IES files available on our website.

Qty	Description	Price

I accept the specifications of the luminaire configuration mentioned above.

Name: _____
 Company: _____
 Signature: _____

Date: _____

Data is based upon tests performed in a controlled environment. Actual performance can vary depending on operating conditions. All products are subject to change or may be discontinued any time without notice.