

ITEM NO.	CAT. NO.	CONDUCTOR (COPPER) RANGE (A)	FIG. NO.	5				4				INSTALLATION TORQUE (IN-LB) [N.M]		
				C	D	E	F	H	K	L	N		T	W
353169	Q3A8C2	#14 SOL. (.064 [2]) - #8 STR. (.146 [4])	1	1.25 [32]	1.56 [40]	.88 [22]	--	1.00 [25]	.34 [9]	2.38 [60]	.34 [9]	.19 [5]	2.69 [68]	75 [8.5]
30000581	Q3A8C4	#14 SOL. (.064 [2]) - #8 STR. (.146 [4])	2	1.56 [40]	1.56 [40]	.88 [22]	.88 [22]	1.00 [25]	.34 [9]	2.38 [60]	.34 [9]	.19 [5]	2.69 [68]	75 [8.5]
358167	Q3A4C2	#8 STR. (.146 [4]) - #4 STR. (.232 [6])	1	1.25 [32]	1.56 [40]	.88 [22]	--	1.00 [25]	.34 [9]	2.38 [60]	.34 [9]	.19 [5]	2.69 [68]	110 [12.4]
30000583	Q3A4C4	#8 STR. (.146 [4]) - #4 STR. (.232 [6])	2	1.56 [40]	1.56 [40]	.88 [22]	.88 [22]	1.00 [25]	.34 [9]	2.38 [60]	.34 [9]	.19 [5]	2.69 [68]	110 [12.4]
358153	Q3A1C2	#4 STR. (.232 [6]) - #1 STR. (.330 [8])	1	1.50 [38]	1.88 [48]	1.00 [25]	--	1.06 [27]	.44 [11]	2.88 [73]	.44 [11]	.22 [6]	2.88 [73]	150 [16.9]
30000585	Q3A1C4	#4 STR. (.232 [6]) - #1 STR. (.330 [8])	2	1.88 [48]	1.88 [48]	1.00 [25]	1.00 [25]	1.06 [27]	.44 [11]	2.88 [73]	.44 [11]	.22 [6]	2.88 [73]	150 [16.9]
358391	Q3A262	1/0 STR. (.373 [9]) - 2/0 STR. (.418 [11])	1	1.62 [41]	2.00 [51]	1.00 [25]	--	1.19 [30]	.44 [11]	3.06 [78]	.44 [11]	.22 [6]	3.00 [76]	180 [20.3]
358055	3 Q3A262N	1/0 STR. (.373 [9]) - 2/0 STR. (.418 [11])	1	1.62 [41]	3.13 [80]	1.75 [44]	--	1.19 [30]	.56 [14]	4.19 [106]	.62 [16]	.22 [6]	3.00 [76]	180 [20.3]
358475	Q3A264	1/0 STR. (.373 [9]) - 2/0 STR. (.418 [11])	2	1.88 [48]	2.00 [51]	1.00 [25]	1.00 [25]	1.19 [30]	.44 [11]	3.06 [78]	.44 [11]	.22 [6]	3.00 [76]	180 [20.3]
358178	3 Q3A264N	1/0 STR. (.373 [9]) - 2/0 STR. (.418 [11])	2	3.00 [76]	3.25 [83]	1.75 [44]	1.75 [44]	1.19 [30]	.56 [14]	4.30 [109]	.62 [16]	.22 [6]	3.00 [76]	180 [20.3]
358292	3 Q3A282N	3/0 STR. (.470 [12]) - 4/0 STR. (.528 [13])	1	1.88 [48]	3.13 [80]	1.75 [44]	--	1.31 [33]	.56 [14]	4.31 [109]	.62 [16]	.25 [6]	3.19 [81]	250 [28.2]
30000587	Q3A284	3/0 STR. (.470 [12]) - 4/0 STR. (.528 [13])	2	1.88 [48]	2.00 [51]	1.00 [25]	1.00 [25]	1.31 [33]	.44 [11]	3.19 [81]	.44 [11]	.25 [6]	3.19 [81]	250 [28.2]
358300	3 Q3A284N	3/0 STR. (.470 [12]) - 4/0 STR. (.528 [13])	2	3.00 [76]	3.13 [80]	1.75 [44]	1.75 [44]	1.31 [33]	.56 [14]	4.31 [109]	.62 [16]	.25 [6]	3.19 [81]	250 [28.2]
358316	3 Q3A312N	250 Kcmil (.575 [15]) - 350 Kcmil (.681 [17])	1	2.38 [60]	3.13 [80]	1.75 [44]	--	1.69 [43]	.56 [14]	4.44 [113]	.62 [16]	.31 [8]	4.06 [103]	325 [36.7]
30000621	Q3A314	250 Kcmil (.575 [15]) - 350 Kcmil (.681 [17])	2	2.38 [60]	2.50 [64]	1.38 [35]	1.38 [35]	1.69 [43]	.44 [11]	3.81 [97]	.50 [13]	.31 [8]	4.06 [103]	325 [36.7]
358332	3 Q3A314N	250 Kcmil (.575 [15]) - 350 Kcmil (.681 [17])	2	3.00 [76]	3.13 [80]	1.75 [44]	1.75 [44]	1.69 [43]	.56 [14]	4.44 [113]	.62 [16]	.31 [8]	4.06 [103]	325 [36.7]
358348	3 Q3A342N	400 Kcmil (.728 [18]) - 500 Kcmil (.814 [21])	1	2.50 [64]	3.13 [80]	1.75 [44]	--	2.00 [51]	.56 [14]	4.69 [119]	.62 [16]	.38 [10]	4.56 [116]	375 [42.4]
30000623	Q3A344	400 Kcmil (.728 [18]) - 500 Kcmil (.814 [21])	2	2.50 [64]	2.62 [67]	1.38 [35]	1.38 [35]	2.00 [51]	.56 [14]	4.19 [106]	.56 [14]	.38 [10]	4.56 [116]	375 [42.4]
358364	3 Q3A344N	400 Kcmil (.728 [18]) - 500 Kcmil (.814 [21])	2	3.00 [76]	3.13 [80]	1.75 [44]	1.75 [44]	2.00 [51]	.56 [14]	4.69 [119]	.62 [16]	.38 [10]	4.56 [116]	375 [42.4]
30000625	Q3A404	600 Kcmil (.893 [23]) - 800 Kcmil (1.031 [26])	2	3.00 [76]	3.13 [80]	1.62 [41]	1.62 [41]	2.38 [60]	.56 [14]	4.94 [125]	.69 [18]	.44 [11]	5.50 [140]	500 [56.5]
358380	3 Q3A404N	600 Kcmil (.893 [23]) - 800 Kcmil (1.031 [26])	2	3.00 [76]	3.13 [80]	1.75 [44]	1.75 [44]	2.38 [60]	.56 [14]	4.94 [125]	.62 [16]	.44 [11]	5.50 [140]	500 [56.5]
358388	3 Q3A444N	850 Kcmil (1.062 [27]) - 1000 Kcmil (1.152 [29])	2	3.25 [83]	3.25 [83]	1.75 [44]	1.75 [44]	2.56 [65]	.56 [14]	5.19 [132]	.62 [16]	.50 [13]	5.88 [149]	500 [56.5]
30000627	Q3A464	1100 Kcmil (1.209 [31]) - 1500 Kcmil (1.412 [36])	2	3.50 [89]	3.75 [95]	2.00 [51]	2.00 [51]	2.94 [75]	.69 [18]	6.00 [152]	.75 [19]	.69 [18]	6.81 [173]	600 [67.8]
358281	3 Q3A464N	1100 Kcmil (1.209 [31]) - 1500 Kcmil (1.412 [36])	2	3.50 [89]	3.25 [83]	1.75 [44]	1.75 [44]	2.94 [75]	.56 [14]	5.50 [140]	.62 [16]	.69 [18]	6.81 [173]	600 [67.8]
30000629	Q3A484	1600 Kcmil (1.459 [37]) - 2000 Kcmil (1.631 [41])	2	4.00 [102]	4.25 [108]	2.25 [57]	2.25 [57]	3.25 [83]	.69 [18]	6.88 [175]	.88 [22]	.81 [21]	7.38 [187]	600 [67.8]
358485	3 Q3A484N	1600 Kcmil (1.459 [37]) - 2000 Kcmil (1.631 [41])	2	4.00 [102]	3.25 [83]	1.75 [44]	1.75 [44]	3.25 [83]	.56 [14]	5.88 [149]	.62 [16]	.81 [21]	7.38 [187]	600 [67.8]

REV	DATE	DESCRIPTION	ECO	BY	C'H'K.
C	2018-03-21 01:00:00 EDT	DRAWING RELEASED	48741	MM	NJS

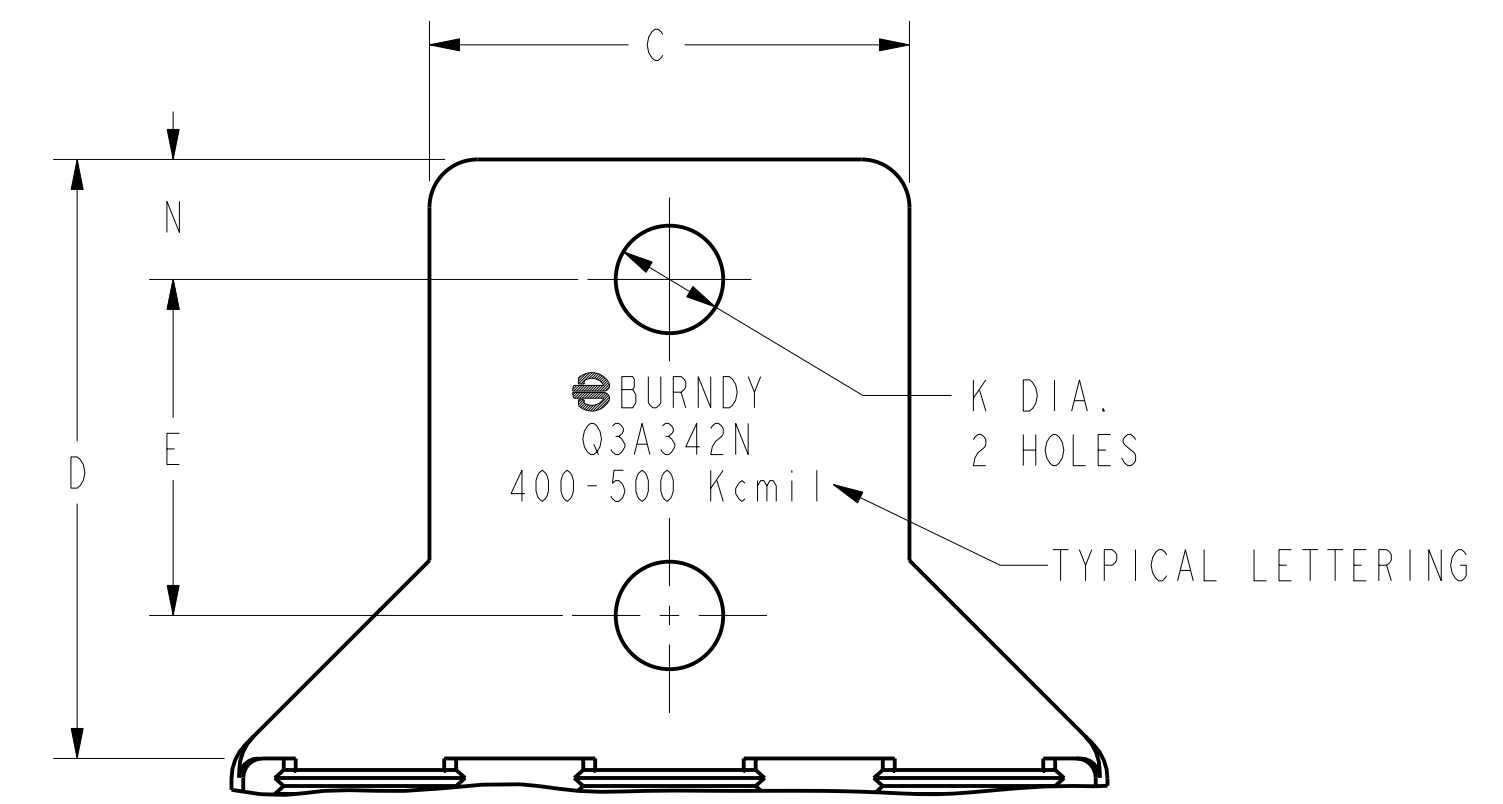


FIGURE 1

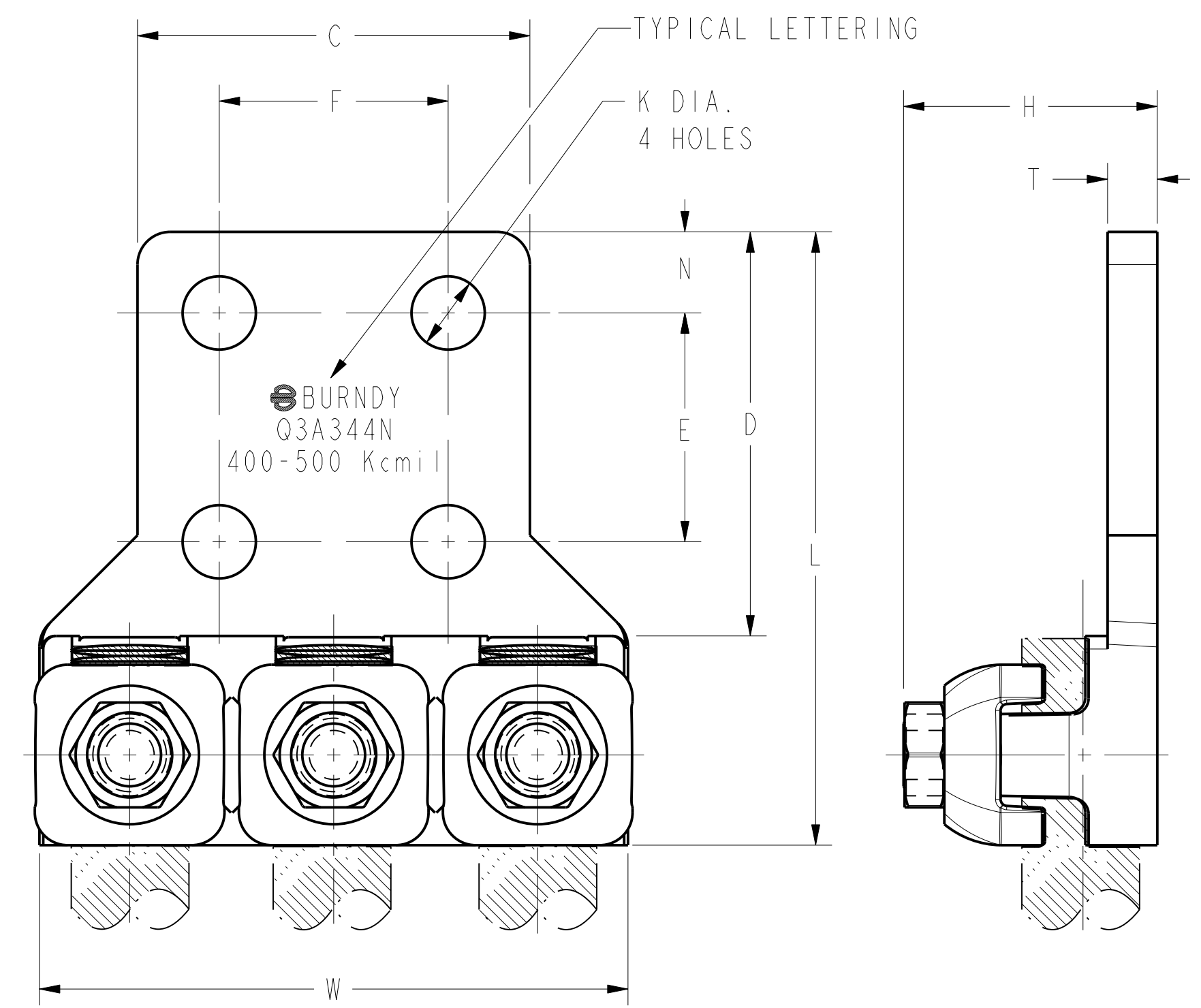


FIGURE 2

- NOTES:
1. MATERIAL: CAST COPPER ALLOY.
 2. DIMENSIONS IN BRACKETS [] ARE IN MILLIMETERS ROUNDED OFF TO THE NEAREST MILLIMETER, UNLESS OTHERWISE NOTED, AND ARE FOR REFERENCE ONLY.
 3. HOLES FOR CATALOG NUMBER ENDING WITH SUFFIX 'N' CONFORMS TO NEMA STANDARDS.
 4. 600 V TO 35 kV RATING.

SUPERSEDES: SD023313-02
SD006457-22

TO ORDER BURNDY® PRODUCTS CALL		QIKLUGS™	
UNITED STATES 1-800-346-4175 (LONDONDERRY, NH)		ITEM NO: SEE TABLE	CAT. NO: Q3A-- (SEE TABLE)
CANADA: 1-800-361-6975 (QUEBEC) 1-800-387-6487 (ALL OTHER PROVINCES)		DRAWN BY: B.K 11/17/1950	CHECKER: --
FOR PRODUCT INFO: http://www.burndy.com		DSN APPVL: T REYNOLDS 03/22/18	MFG APPVL: --
		QA APPVL: B POST 03/22/18	MKT APPVL: M BAILLY 03/26/18
		PROD FAM: CM&R_Mechanical	DRAWING NO
		PROJECT #: --	SCALE: 1:1
		DOCUMENT TYPE: Sales	SA006457-01
		REL LEVEL: Released	SHEET 1 OF 1

REV: PEO200