

*** BILL OF MATERIAL ***

PT NO.	CATALOG NO.	QTY	DESCRIPTION
1	BAT18V	2	BATTERY, 18 VOLT 2.6AH
2	PATCHGR18V	1	CHARGER, BATTERY PAT600-18V
3	PT10059993	1	LABEL, TOOL CASE (PAT750XT-18V)
4	PT208620	1	LANYARD
5	PT20443801	1	FIVE YEAR WARRANTY CARD
6	PAT750XT-18VOMI	1	SOMI, PAT750XT-18V
7	PT10037335	1	LABEL, WARNING / INSTRUCTIONS
8	BATCHGR-18V SOMI	1	BATTERY CHARGER SAFETY OPERATING & MAINT. INST.

REV.	DATE	DESCRIPTION	ECO	BY	C'H'K.
B	6/25/2008 3:18:00 PM	UPDATE PER MARK UP	16355	TRF	MAC

PATRIOT®

BATTERY ACTUATED TOOL - HYDRAULIC SELF CONTAINED -
12 TON OUTPUT FORCE

SPECIFICATIONS

- CRIMP FORCE: 12 TONS (10.9 METRIC TONS)
- TOOL WEIGHT: 16.5 LBS (7.5 kg)
- LENGTH: 15.75 (40.00 cm)
- WIDTH: 3.50 (8.89 cm)
- HEIGHT: 13.50 (34.29 cm)
- OPERATING VOLTAGE: 18V-DC
- RECHARGE TIME: < 45 MINUTES

FEATURES

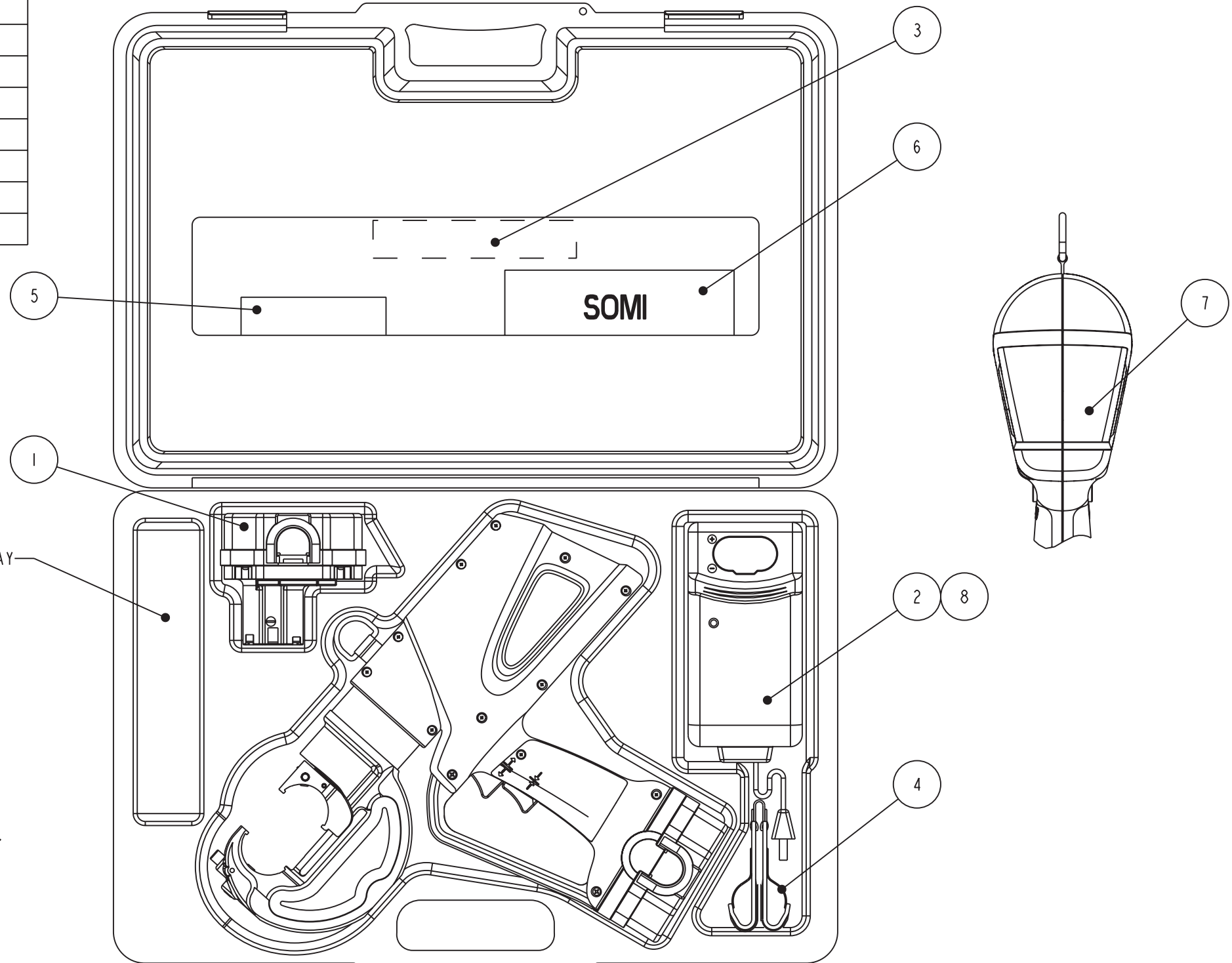
- TRUE ONE HANDED OPERATION FOR ADVANCE, RETRACT AND HOLD.
- 12 TON OUTPUT FORCE.
- STATE OF THE ART CRIMPING HEAD DESIGN, 350° ROTATION.
- AUDIBLE "POP OFF" INDICATES PROPERLY COMPLETED CRIMPS.
- ERGONOMICALLY BALANCED TOOL.
- DURABLE HIGH IMPACT CARRYING CASE.
- 5 YEAR LIMITED WARRANTY ON THE TOOL.
- 1 YEAR WARRANTY ON THE BATTERY.
- PAT750CXT-18V RUBBER COVERED HEAD AVAILABLE.
- Ni-MH BATTERY ELIMINATES VOLTAGE DEPRESSION (MEMORY ISSUES).

BENEFITS

- VERSATILE TOOL HEAD POSITIONING LETS USER GET INTO TIGHT AREAS.
- LESS DOWN TIME DUE TO HIGH CAPACITY, HIGH VOLTAGE 18 VOLT BATTERY.
- ASSURES PROPER CRIMPS WITH AUDIBLE INDICATOR, LEAVING NO DOUBT FOR TOOL USER.
- ERGONOMICALLY BALANCED TOOL.
- SMOOTHER, QUIETER, MORE EFFICIENT TOOL OPERATION.

NOTES:

- ALL PATRIOT PRODUCTS ARE AVAILABLE WITH A DC CHARGER PERMITTING THE CHARGING OF 18V DC BATTERIES WITH A 12V SYSTEM. ORDER CATALOG NUMBER PAT750XT-18VDC.
- TO ORDER 12 VOLT DC CHARGER SEPARATELY, ORDER CATALOG NUMBER BCT/PATDCCHGR. THIS CHARGER ACCOMODATES BATTERIES FROM 12V - 18V.
- FOR COVERED VERSION ORDER CATALOG NUMBER PAT750CXT18V.
- FOR 250 VOLT VERSION, ORDER CATALOG NUMBER PAT750XT-18V250V.
- TO ORDER 250 VOLT CHARGER SEPARATELY, ORDER CATALOG NUMBER PATCHGR250V. THIS CHARGER ACCOMODATES BATTERIES FROM 12V - 18V.



REV: PE0200

TO ORDER BURNDY® PRODUCTS CALL		PAT750XT-18V	
UNITED STATES: 1-800-346-4175 (LONDONDERRY, NH)		ITEM NO: 10046980	CAT. NO: PAT750XT-18V
CANADA: 1-800-361-6975 (QUEBEC) 1-800-387-6487 (ALL OTHER PROVINCES)		DRAWN BY: T. FAUCHER	CHECKER: J. PETERSON
FOR PRODUCT INFO: http://www.burndy.com		DSN APPVL: J. PETERSON	MFG APPVL: S. GONYAW
		QA APPVL: C. MELANSON	MKT APPVL: B. POIRIER
		PROD FAM: TOOLS, BATTERY	SCALE: 1:4
		PROJECT #: 13202	DRAWING NO: 10046982
		DOCUMENT TYPE: Sales	REV: B
		REL LEVEL: Released	SHEET 1 OF 1