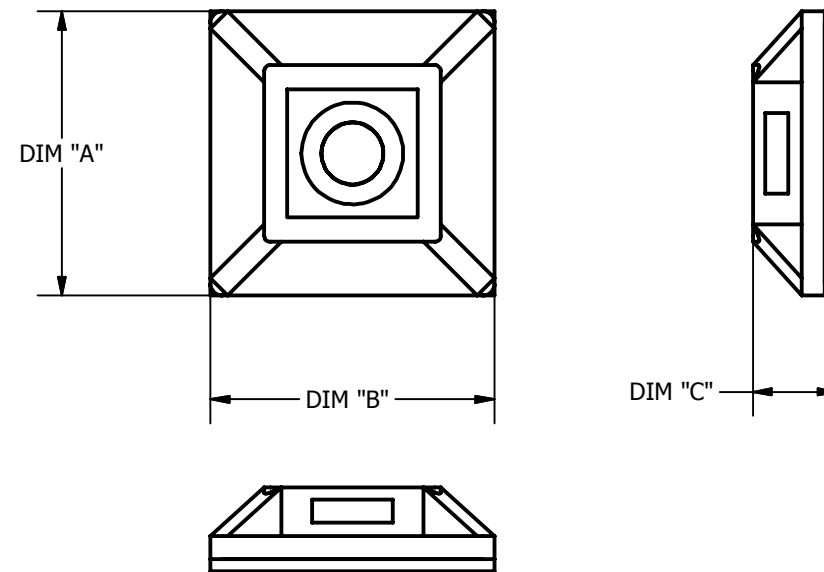


BURNDY® ITEM NUMBER	BURNDY® CATALOG NUMBER	MOUNTING METHOD	UL TYPE DESIGNATION	MECHANICAL STRENGTH LB / KG	MAX. SLOT TIE WIDTH IN [MM]	DIM. "A" IN [MM] ±.20 [5]	DIM. "B" IN [MM] ±.20 [5]	HEIGHT DIM. "C" IN [MM] ±.10 [3]	MATERIAL	COLOR	PKG. QTY.	CARTON QTY.	MIN. OPR. TEMP. F / C	MAX. OPR. TEMP. F / C
10023725	CTB075S4C	#4 SCREW	UR TYPE 11	9 / 4	.20 [5]	.74 [18.7]	.74 [18.7]	.19 [4.8]	NYLON 6/6	NATURAL	100	1000	32 / 0	158 / 70
10023727	CTB075S4M	#4 SCREW	UR TYPE 11	9 / 4	.20 [5]	.74 [18.7]	.74 [18.7]	.19 [4.8]	NYLON 6/6	NATURAL	1000	1000	32 / 0	158 / 70
10023729	CTB075AA4C	ACRYLIC ADHESIVE / #4 SCREW	UR TYPE 11	9 / 4	.20 [5]	.74 [18.7]	.74 [18.7]	.19 [4.8]	NYLON 6/6	NATURAL	100	1000	32 / 0	158 / 70
10023730	CTB075AA4C0	ACRYLIC ADHESIVE / #4 SCREW	UR TYPE 11	9 / 4	.20 [5]	.74 [18.7]	.74 [18.7]	.19 [4.8]	NYLON 6/6	BLACK	100	1000	32 / 0	158 / 70
10023733	CTB075RA4C	RUBBER ADHESIVE / #4 SCREW	UR TYPE 11	9 / 4	.20 [5]	.74 [18.7]	.74 [18.7]	.19 [4.8]	NYLON 6/6	NATURAL	100	1000	32 / 0	158 / 70
10023734	CTB075RA4C0	RUBBER ADHESIVE / #4 SCREW	UR TYPE 11	9 / 4	.20 [5]	.74 [18.7]	.74 [18.7]	.19 [4.8]	NYLON 6/6	BLACK	100	1000	32 / 0	158 / 70
10023735	CTB075RA4M	RUBBER ADHESIVE / #4 SCREW	UR TYPE 11	9 / 4	.20 [5]	.74 [18.7]	.74 [18.7]	.19 [4.8]	NYLON 6/6	NATURAL	1000	1000	32 / 0	158 / 70
10023737	CTB125S4C	#6 SCREW	UR TYPE 11	11 / 5	.20 [5]	.99 [25.1]	.99 [25.1]	.20 [5.0]	NYLON 6/6	NATURAL	100	1000	32 / 0	158 / 70
10023738	CTB125S4C0	#6 SCREW	UR TYPE 11	11 / 5	.20 [5]	.99 [25.1]	.99 [25.1]	.20 [5.0]	NYLON 6/6	BLACK	100	1000	32 / 0	158 / 70
10023741	CTB125AA4C	ACRYLIC ADHESIVE / #6 SCREW	UR TYPE 11	11 / 5	.20 [5]	.99 [25.1]	.99 [25.1]	.20 [5.0]	NYLON 6/6	NATURAL	100	1000	32 / 0	158 / 70
10023742	CTB125AA4C0	ACRYLIC ADHESIVE / #6 SCREW	UR TYPE 11	11 / 5	.20 [5]	.99 [25.1]	.99 [25.1]	.20 [5.0]	NYLON 6/6	BLACK	100	1000	32 / 0	158 / 70
10023745	CTB125RA4C	RUBBER ADHESIVE / #6 SCREW	UR TYPE 11	11 / 5	.20 [5]	.99 [25.1]	.99 [25.1]	.20 [5.0]	NYLON 6/6	NATURAL	100	1000	32 / 0	158 / 70
10023746	CTB125RA4C0	RUBBER ADHESIVE / #6 SCREW	UR TYPE 11	11 / 5	.20 [5]	.99 [25.1]	.99 [25.1]	.20 [5.0]	NYLON 6/6	BLACK	100	1000	32 / 0	158 / 70
10023747	CTB125RA4D	RUBBER ADHESIVE / #6 SCREW	UR TYPE 11	11 / 5	.20 [5]	.99 [25.1]	.99 [25.1]	.20 [5.0]	NYLON 6/6	NATURAL	500	4000	32 / 0	158 / 70
10023757	CTB125S2C	ACRYLIC ADHESIVE / #6 SCREW	UR TYPE 11	11 / 5	.20 [5]	.99 [25.1]	.99 [25.1]	.20 [5.0]	NYLON 6/6	NATURAL	100	1000	32 / 0	158 / 70
10023758	CTB125RA2C	RUBBER ADHESIVE / #6 SCREW	UR TYPE 11	11 / 5	.20 [5]	.99 [25.1]	.99 [25.1]	.20 [5.0]	NYLON 6/6	NATURAL	100	1000	32 / 0	158 / 70
10023759	CTB125RA2C0	RUBBER ADHESIVE / #6 SCREW	UR TYPE 11	11 / 5	.20 [5]	.99 [25.1]	.99 [25.1]	.20 [5.0]	NYLON 6/6	BLACK	100	1000	32 / 0	158 / 70
10026317	CTB125RA4L	RUBBER ADHESIVE / #6 SCREW	UR TYPE 11	11 / 5	.20 [5]	.99 [25.1]	.99 [25.1]	.20 [5.0]	NYLON 6/6	NATURAL	50	1000	32 / 0	158 / 70



4 WAY MOUNTING

NOTES:

1. DIMENSIONS IN BRACKETS [ ] ARE IN MILLIMETERS ROUNDED OFF TO THE NEAREST MILLIMETER, UNLESS OTHERWISE SPECIFIED AND ARE FOR REFERENCE ONLY.

TO ORDER BURNDY PRODUCTS CALL UNITED STATES 1-800-346-4175 (LONDONDERRY, NH) CANADA: 1-800-361-6975 (QUEBEC) 1-800-387-6487 (ALL OTHER PROVINCES) FOR PRODUCT INFO: <a href="http://www.burndy.com">http://www.burndy.com</a>	MOUNTING BASES		
	ITEM NO: SEE TABLE		
	CAT. NO: SEE TABLE		
	DRAWN BY: D.DHEENA	3/7/2017	
	CHECKER: K.BOUTIN	3/22/2017	
DSN APRVL: A.MONTMINY	3/22/2017		
MFG APRVL:			
QA APRVL: B.POST	3/21/2017		
MKT APRVL: K.BOUTIN	3/22/2017		
PROD FAM: MOUNTING BASES	DRAWING NO	REV	
PROJECT #:	SIZE	50080810	C
DOCUMENT TYPE: SALES	B	SHEET 1 OF 1	
REL LEVEL: Released			

REV	DATE	DESCRIPTION	ECO	BY	C'H'K.
C	06/05/2017	BAG DETAILS REMOVED FROM TABLE	46429	DD	NJS