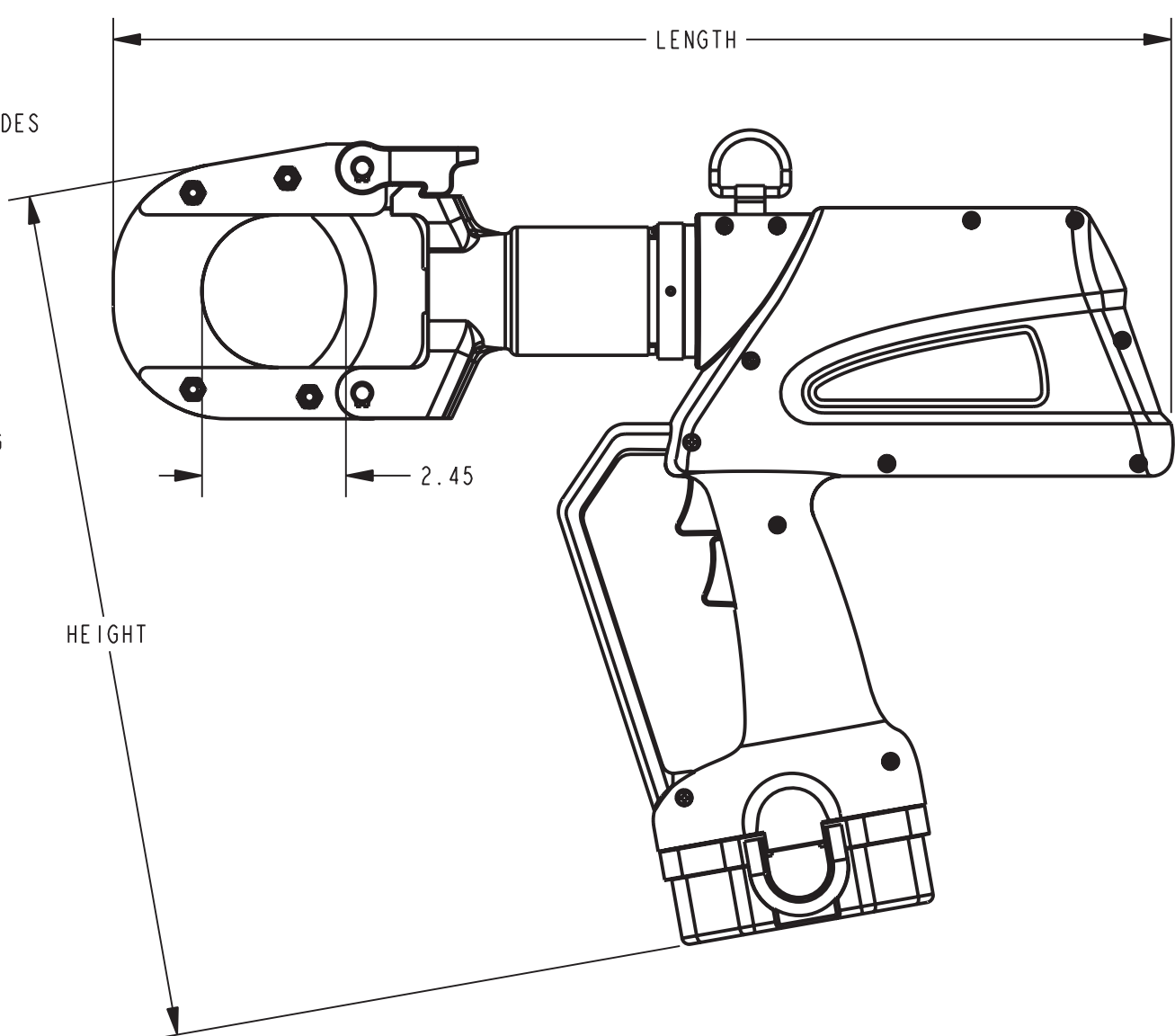
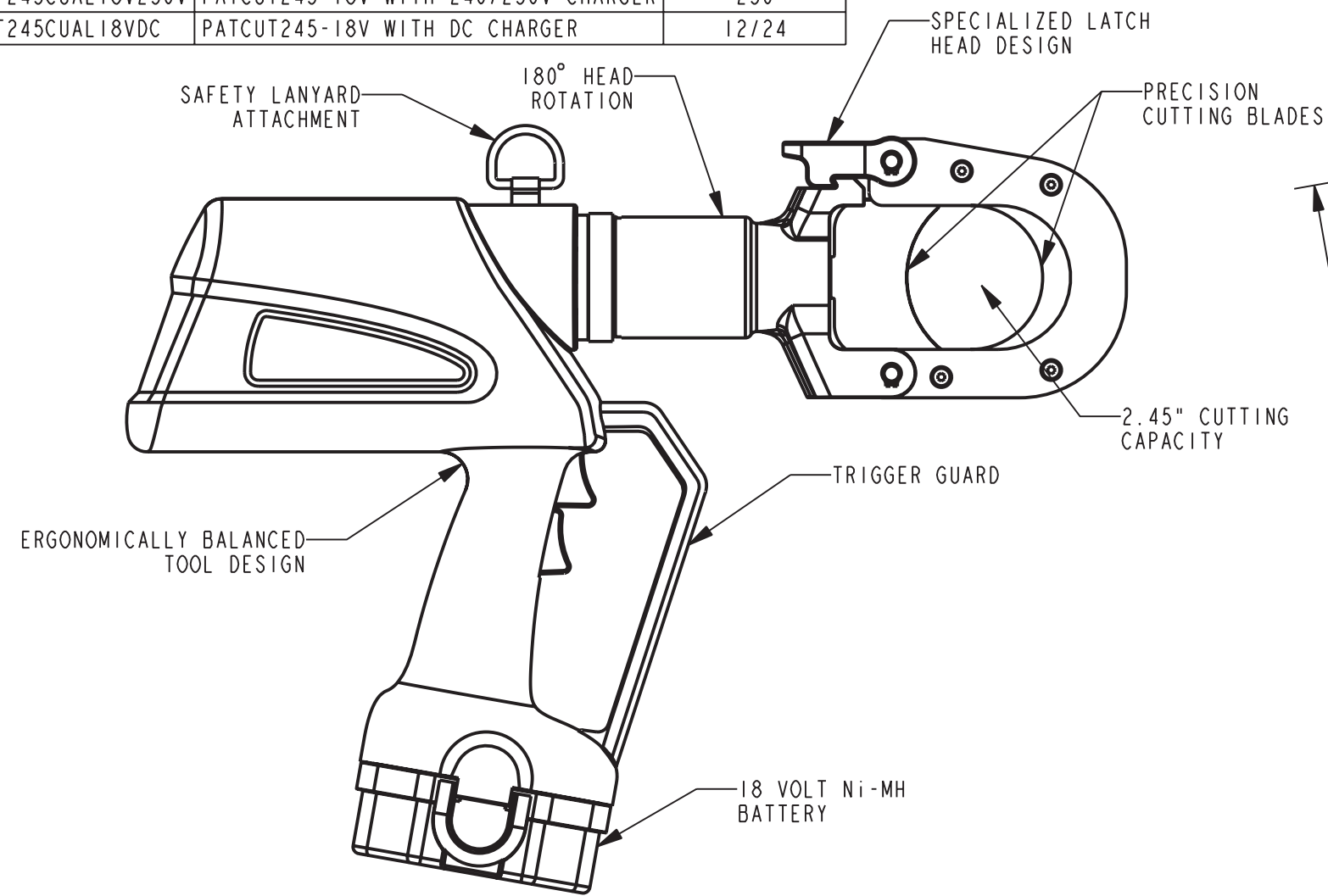


CATALOG #	DESCRIPTION	CHARGER VOLTS
PATCUT245CUAL18V	PATCUT245-18V WITH 110V CHARGER	110
PATCUT245CUAL18V250V	PATCUT245-18V WITH 240/250V CHARGER	250
PATCUT245CUAL18VDC	PATCUT245-18V WITH DC CHARGER	12/24

REV.	DATE	DESCRIPTION	ECO	BY	C.H.K.
B	8/24/2005 1:23:00 PM	CHANGE CAT# PT10044980 TO PT10053579 IN NOTES	11243	TRF	JWA



FOR USE ON
 COPPER & ALUMINUM CABLE: UP TO 2.45" O.D. (62.2 mm)
 FOR COPPER AND ALUMINUM CABLE ONLY. DO NOT CUT STEEL, GROUND ROD, REBAR OR GUY WIRE.

- ACCESSORIES
- CARRYING CASE: CAT# PT10053579
 - LANYARD: CAT# PT208620
 - BATTERY: CAT# BAT18V
HI-CAPACITY (2200 mA-hr)
 - BATTERY W / LED LIGHT: CAT# BAT18VLED
(3000 mA-hr)
 - CHARGER: CAT# PATCHGR18V
120V-AC
12/24V-DC
240/250V-AC
 - REPLACEMENT BLADES:
MOVING CAT# PT10038657
FIXED CAT# PT10040663

- FEATURES AND BENEFITS
- BATTERY POWERED CUTTING TECHNOLOGY
 - EASY TOOL OPERATION AND PORTABILITY
 - ADVANCED DESIGN HIGH-SPEED PUMP COMPLETES TOUGH CUTS FASTER
 - LONGER LIFE, EFFICIENCY AND RELIABILITY
 - SPECIALIZED LATCH HEAD DESIGN
 - INTERFERENCE FREE CLOSURE FOR MID SPAN CUTS
 - ERGONOMIC DESIGN ALLOWS ONE HAND OPERATION
 - USER HAS ONE HAND FREE TO MANIPULATE MATERIAL TO BE CUT
 - 180° HEAD ROTATION
 - VERSITILE HEAD POSITIONING ALLOWS USER TO GET INTO TIGHT AREAS EASIER
 - MECHANICAL RAM RELEASE
 - RELIABLE RAM RELEASE (NO BATTERY POWER CONSUMPTION)
 - OPERATES ON 18-VOLT Ni/MH BATTERIES
 - ELIMINATES VOLTAGE DEPRESSION OR "MEMORY" ISSUES
 - DURABLE HIGH IMPACT FORMED CARRYING CASE
 - PROVIDES TOOL PROTECTION AND STORES ALL ACCESSORIES

- SPECIFICATIONS
- TOOL WEIGHT: 14.5 LBS. (5.4 KG)
 - WITH BATTERY
 - LENGTH: 18" (45.7 CM)
 - WIDTH: 3.75" (9.5 CM)
 - HEIGHT: 14.75" (37.5 CM)
 - OPERATING VOLTAGE: 18 V-DC
 - RECHARGE TIME: < 45 MINS.

TO ORDER BURNDY PRODUCTS CALL 1-800-346-4175 MANCHESTER, NH 03109, USA FOR PRODUCT INFO = http://www.burndy.com			
PAT600-CUT 2.45"			
ITEM NO: N/A			
CAT. NO: SEE TABLE			
DRAWN BY: T. FAUCHER	3/3/2005 9:56:00 AM		
CHECKER: J. LEFAVOUR	3/3/2005 9:56:00 AM		
DSN APPVL: J. LEFAVOUR	2/10/2005 9:55:00 AM		
MFG APPVL: --	1/1/2001 12:00:00 AM		
QA APPVL: J. BRODEUR	3/1/2005 9:56:00 AM		
MKT APPVL: B. POIRIER	2/11/2005 9:56:00 AM		
PROD FAM: TOOLS, BATTERY	DRAWING NO	REV	
PROJECT #: 13181	SIZE	10053630	B
DOCUMENT TYPE: Sales	B		
REL LEVEL: Released		SHEET 1 OF 1	

REV: PE0200