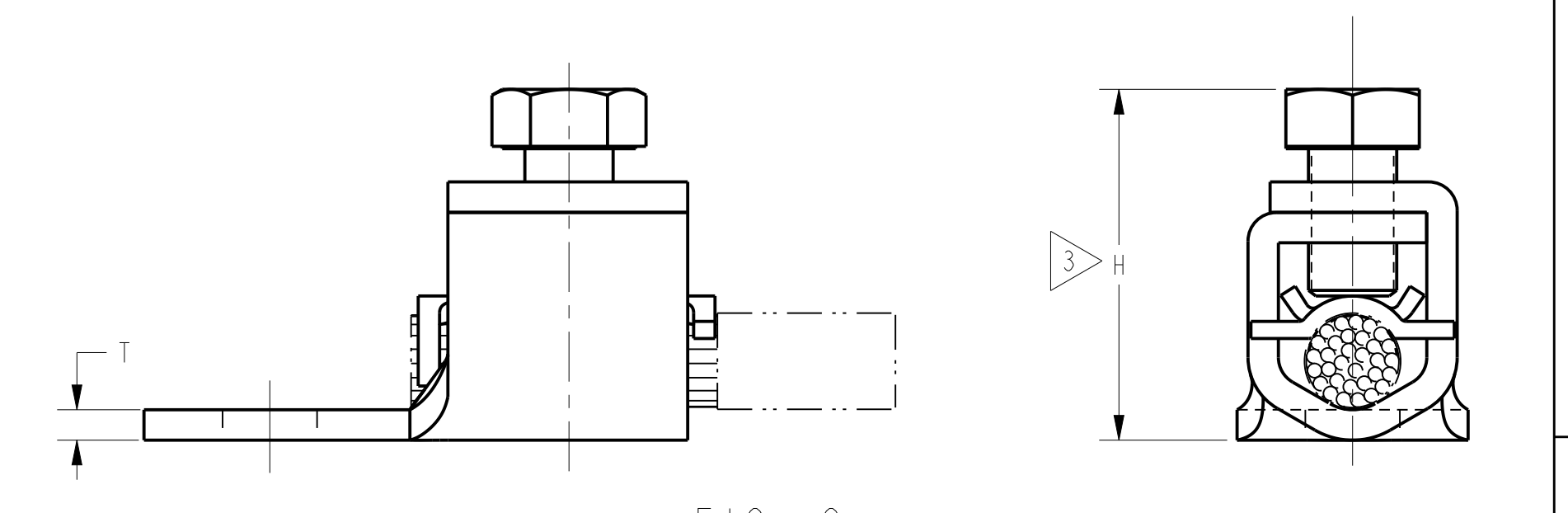
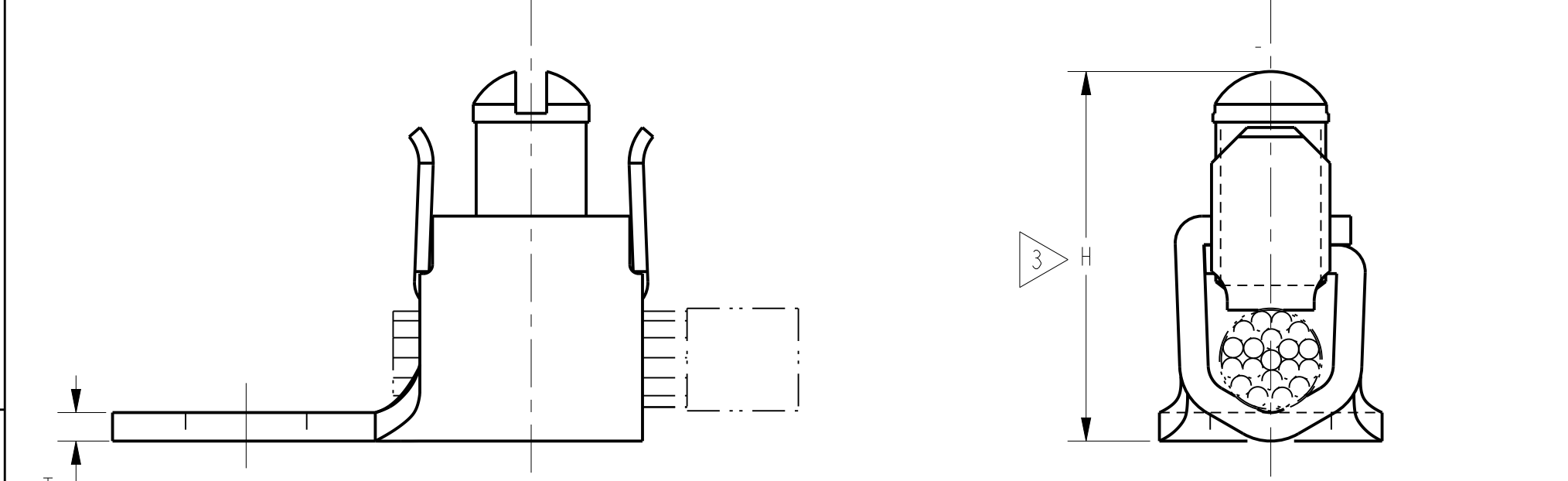
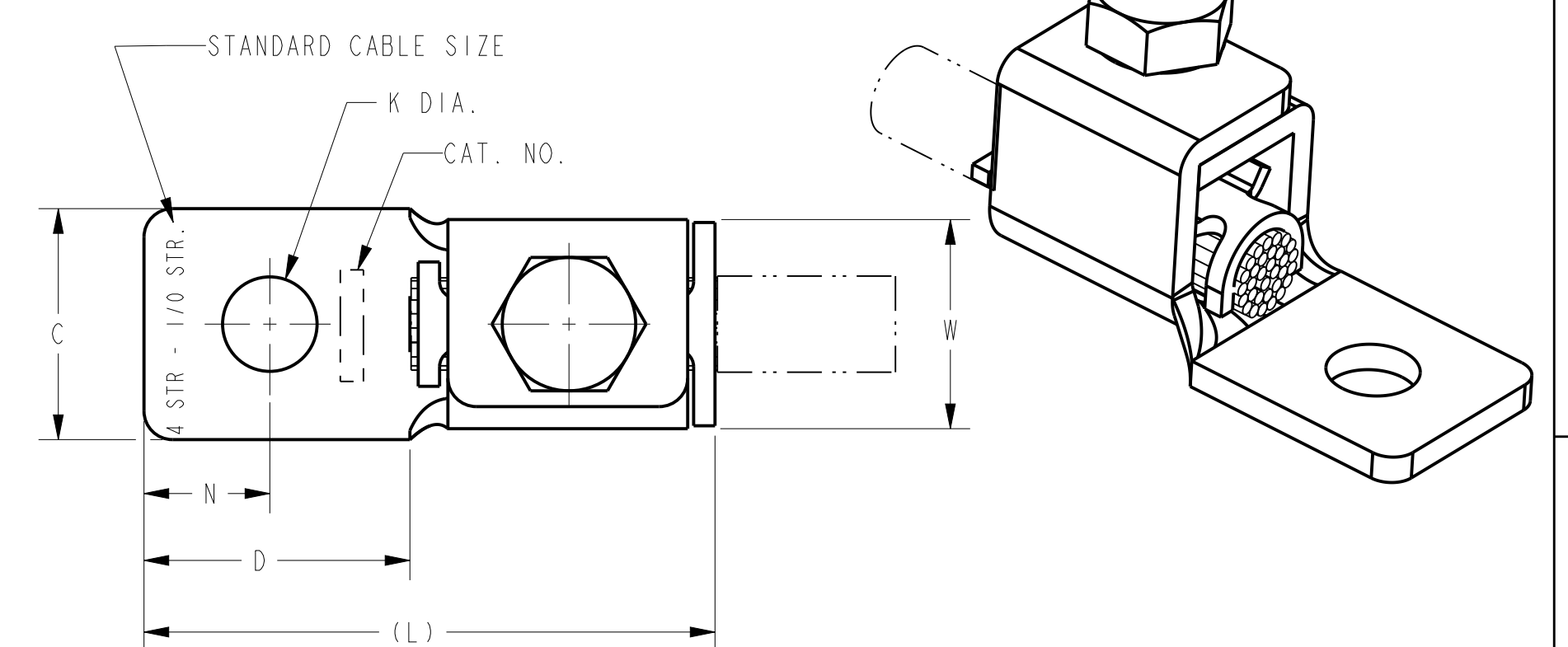
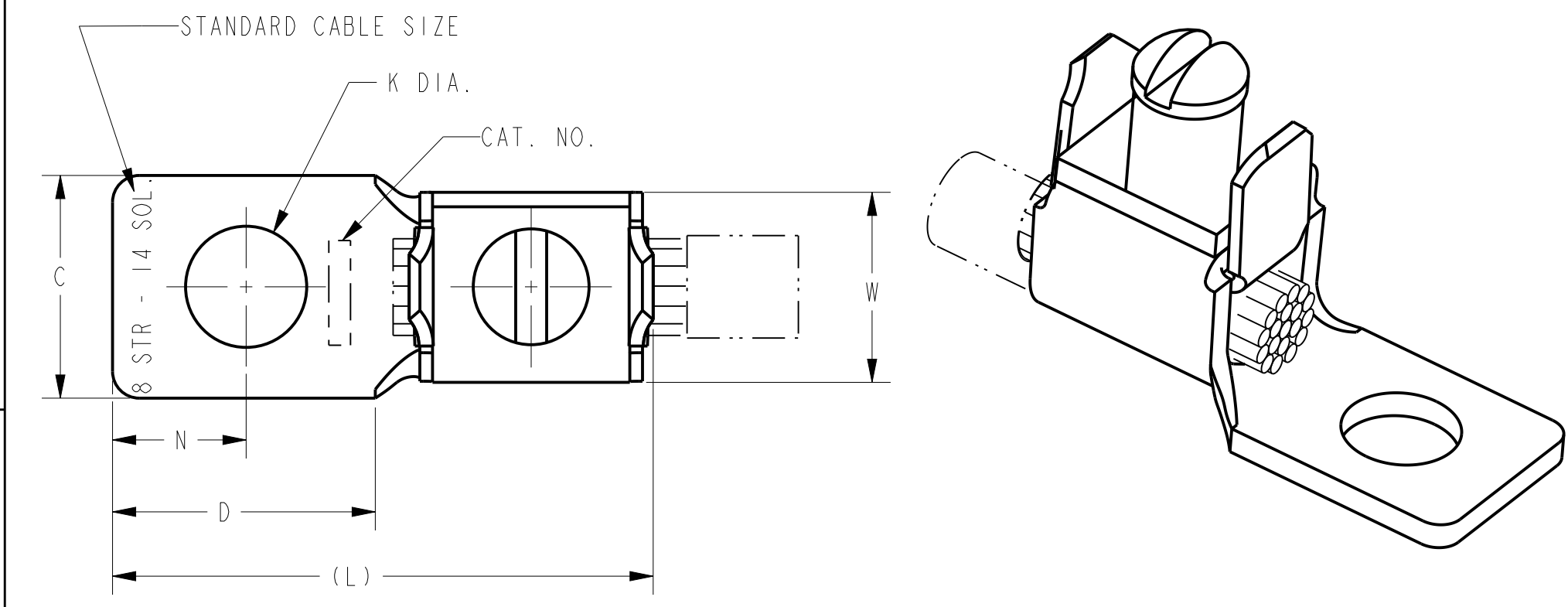


REV	DATE	DESCRIPTION	ECO	BY	C'H'K.
F	2018-04-09 00:00:00 EDT	UPDATED AS PER MARKUP	48870	BK	VS

CATALOG NUMBER	COMMERCIAL CABLE SIZE	NAVY CABLE SIZE	FIG. NO.	C ±.03	D ±.03	H NOM.	K DIA. +.04 -.01	L REF.	N ±.03	T ±.02	WEIGHT OZ	RECOMMENDED TIGHTENING TORQUE IN-LBS [N-M]
KPA8C	#8 STR (.146) - #14 SOL (.064) 6mm <sup>2</sup> STR (2.77 mm DIA.) - 2.5mm <sup>2</sup> SOL (1.80mm DIA.)	#4 (.076), #9 (.108), #14 (.136)	1	.38 [10]	.47 [12]	.72 [18]	.21 [5]	.97 [24]	.22 [6]	.06 [2]	.25	25 [2.8]
KPA4C	#4 STR (.231) - #14 SOL (.064) 16mm <sup>2</sup> STR (5.13 mm DIA.) - 2.5mm <sup>2</sup> SOL (1.89mm DIA.)	#23 (.171), #30 (.202), #40 (.226)	1	.50 [13]	.56 [14]	.94 [24]	.27 [7]	1.22 [31]	.30 [8]	.06 [2]	.50	35 [4.0]
KPA25	1/0 STR (.373) - #4 STR (.231) 50mm <sup>2</sup> STR (9.27 mm DIA.) - 16mm <sup>2</sup> STR (5.13mm DIA.)	#50 (.254), #60 (.282), #75 (.345), #100 (.363)	2	.75 [19]	.81 [21]	1.25 [32]	.33 [8]	1.82 [46]	.41 [10]	.10 [3]	1.50	180 [20.3]
KPA28	4/0 STR (.528) - 1/0 STR (.373) 95mm <sup>2</sup> STR (12.8 mm DIA.) - 50mm <sup>2</sup> STR (9.27mm DIA.)	#125 (.407) #150 (.457)	2	.97 [25]	1.12 [28]	1.66 [42]	.39 [10]	2.40 [61]	.53 [13]	.13 [3]	3.44	250 [28.2]
KPA34	500 Kcmil (.814) - 4/0 STR (.528) 300mm <sup>2</sup> (22.6 mm DIA.) - 95mm <sup>2</sup> STR (12.8mm DIA.) 4/0 TYPE W, 2090/30 FLEX	-----	2	1.38 [35]	1.38 [35]	2.44 [62]	.54 [14]	3.32 [84]	.75 [19]	.20 [5]	8.00	375 [42.4]



NOTES:

- MATERIAL: COPPER ALLOY
- FINISH: TIN PLATED.
- APPROXIMATE BEFORE COMPRESSION WITH MAXIMUM CABLE IN PLACE.
- DIMENSIONS IN BRACKETS [ ] ARE IN MILLIMETERS, ROUNDED OFF TO THE NEAREST MILLIMETER, UNLESS OTHERWISE NOTED, AND ARE FOR REFERENCE ONLY.
- SUFFIX 'UNPL' DENOTES UNPLATED CONNECTOR.

TO ORDER BURNDY® PRODUCTS CALL UNITED STATES: 1-800-346-4175 (LONDONDERRY, NH) CANADA: 1-800-361-6975 (QUEBEC) 1-800-387-6487 (ALL OTHER PROVINCES) FOR PRODUCT INFO: <a href="http://www.burndy.com">http://www.burndy.com</a>		SCRULUG™	
		ITEM NO: --	CAT. NO: KPA-- (SEE TABLE)
DRAWN BY: BK	12/28/1949		
CHECKER: CRG	12/29/1949		
DSN APPVL: T.REYNOLDS	04/10/2018		
MFG APPVL: P.MARTEL	04/10/2018		
QA APPVL: C.LINDQUIST	04/11/2018		
MKT APPVL: M.BAILLY	04/12/2018	SCALE: 2:1	
PROD FAM: --		DRAWING NO	REV
PROJECT #: --	SIZE	SC011842-01	F
DOCUMENT TYPE: Sales	C	SHEET 1 OF 1	
REL LEVEL: Released			

REV: PE0200

A

C

B

D

4

3

2

1

A

C

B

D