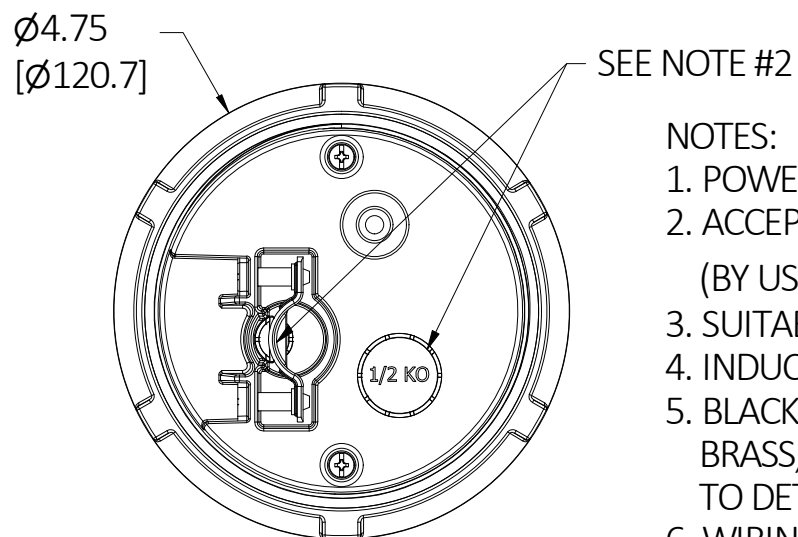
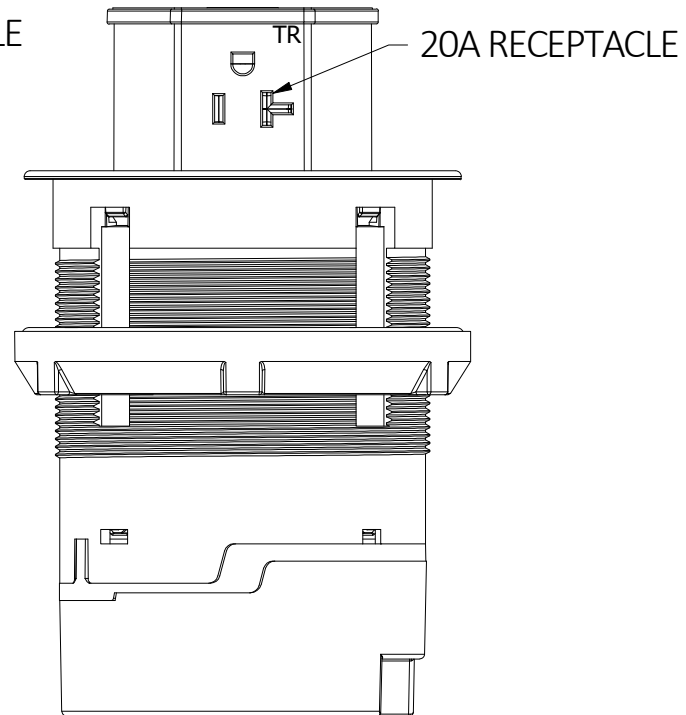
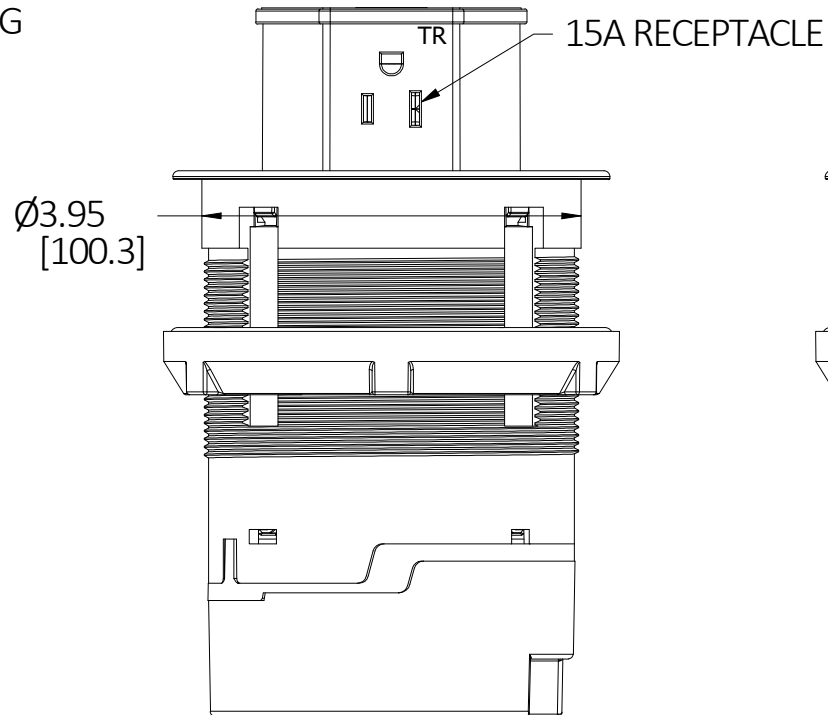
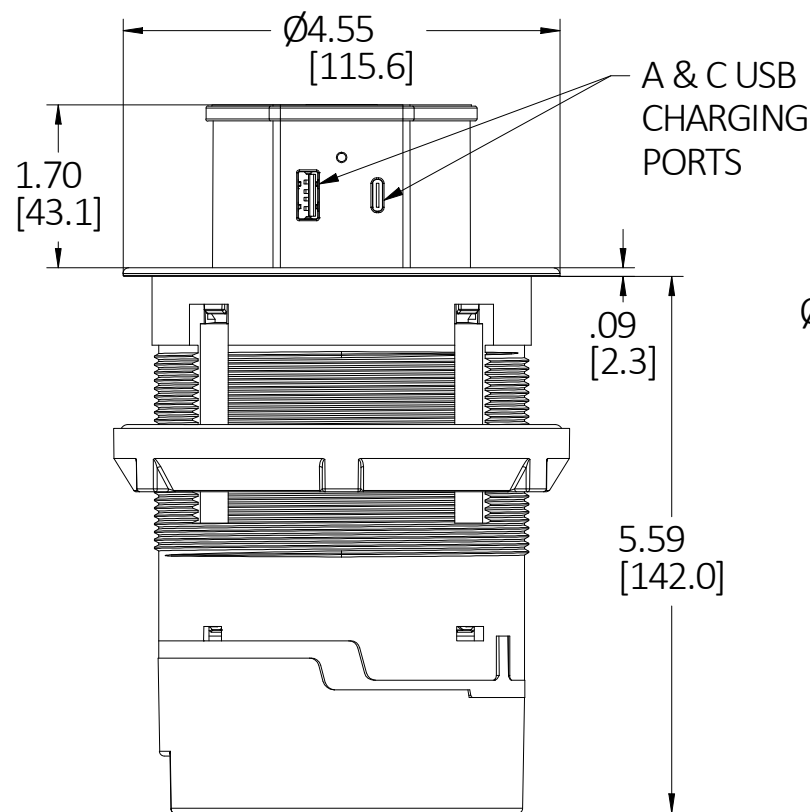


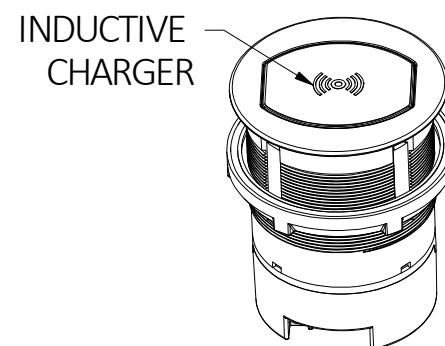
M-13909

2



NOTES:

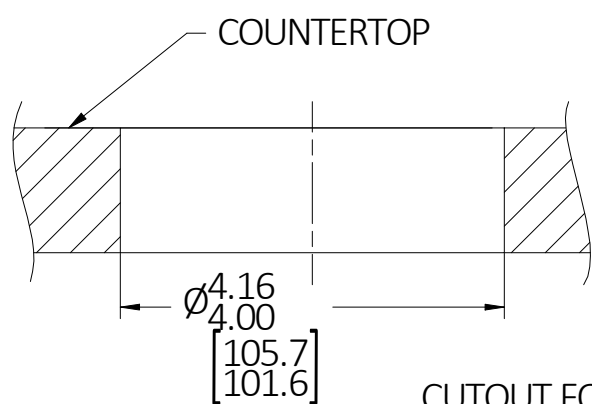
1. POWER OUTLET, USB & INDUCTIVE CHARGER AVAILABLE.
2. ACCEPT NON-METALLIC SHEATHED CABLE AND/OR METAL CONDUIT (BY USING WIRE CLAMP OR 1/2" KNOCKOUT) TO WIRE THE DEVICE.
3. SUITABLE FOR COUNTERTOP THICKNESS .56"-2.50" [14.3-63.5mm].
4. INDUCTIVE CHARGING COMPATIBLE WITH ALL Qi ENABLED DEVICES
5. BLACK, WHITE AND GRAY COLORS COVER PROVIDED FOR ALUMINUM, BRASS, NICKEL, CHROME AND BRONZE FINISH FLANGE DEVICES, CUSTOMER TO DETERMINE A COVER AND INSTALLED PER INSTRUCTION SHEET.
6. WIRING CHAMBER VOLUME: 8.7 IN<sup>3</sup> [143 CM<sup>3</sup>].
7. DEVICE TO BE INSTALLED AT THE END OF LINE.



DEVICE CLOSED VIEW  
SCALE 1 / 4

DESCRIPTION	MATERIAL	FINISH
TOWER COVER	THERMOPLASTIC WITH ELASTOMER	SEE TABLE PER CAT.#
FLANGE	ALUMINUM	SEE TABLE PER CAT#
TOWER	THERMOPLASTIC	BLACK
WIRING CHAMBER BOTTOM HOUSING	ALUMINUM	
MAIN BODY HOUSING	THERMOPLASTIC	
LOCK NUT	THERMOPLASTIC	
O-RING	ELASTOMER	
WIRE CLAMP	GALV. STEEL	
WIRE CLAMP SCREWS	STEEL	ZINC PLATE
TERMINALS	BRASS	
CYLINDER	STEEL	
GROUND SCREWS	STEEL	ZINC PLATE + GREEN
NETRUAL SCREWS	STEEL	ZINC PLATE
HOT SCREWS	STEEL	BRASS PLATE
WATER SEAL	ELASTOMER	
USB PORT	STAINLESS STEEL	

REV	DESCRIPTION	APP	DATE
2	ADDED NOTE #6 & 7 PER DCN #210720010415. D.LI	D.LI	7/20/21
1	NEW RELEASE PER DCN #200916000637. D.LI		9/24/20



CUTOUT FOR  
INSTALLATION

CATALOG #	DESCRIPTION	FLANGE COLOR	COVER COLOR	RCPT RATING	USB CHARGER OUTPUT	INDUCTIVE CHARGER OUTPUT
RCT600BK	15A TRI PWR POP UP SURF BLACK&BLACK	PAINTED BLACK	BLACK	15A 125VAC	5VDC 5.0A MAX.	5W
RCT600W	15A TRI PWR POP UP SURF WHITE&WHITE	PAINTED WHITE	WHITE			
RCT600ALU	15A TRI PWR POP UP SURF ALUM&GRAY	BRUSHED ALUMINUM	SEE NOTE #5			
RCT600BR	15A TRI PWR POP UP SURF BRASS&BLACK	BRUSHED BRASS	SEE NOTE #5			
RCT600NI	15A TRI PWR POP UP SURF NICKEL&GRAY	BRUSHED NICKEL	SEE NOTE #5			
RCT600CH	15A TRI PWR POP UP SURF CHROME&GRAY	POLISHED CHROME	SEE NOTE #5			
RCT600BZE	15A TRI PWR POP UP SURF BRONZE&BLACK	MATTE BRONZE	SEE NOTE #5			
RCT620BK	20A TRI PWR POP UP SURF BLACK&BLACK	PAINTED BLACK	BLACK	20A 125VAC	5VDC 5.0A MAX.	5W
RCT620W	20A TRI PWR POP UP SURF WHITE&WHITE	PAINTED WHITE	WHITE			
RCT620ALU	20A TRI PWR POP UP SURF ALUM&GRAY	BRUSHED ALUMINUM	SEE NOTE #5			
RCT620BR	20A TRI PWR POP UP SURF BRASS&BLACK	BRUSHED BRASS	SEE NOTE #5			
RCT620NI	20A TRI PWR POP UP SURF NICKEL&GRAY	BRUSHED NICKEL	SEE NOTE #5			
RCT620CH	20A TRI PWR POP UP SURF CHROME&GRAY	POLISHED CHROME	SEE NOTE #5			
RCT620BZE	20A TRI PWR POP UP SURF BRONZE&BLACK	MATTE BRONZE	SEE NOTE #5			

THE DESIGN AND DIMENSIONS OF THE PRODUCT SHOWN ON THIS DRAWING ARE SUBJECT TO CHANGE WITHOUT NOTICE. DIMENSIONS ARE IN INCHES [mm].

TITLE  
KITCHEN COUNTERTOP POP UP TR RECEPTACLE WITH USB & INDUCTIVE CHARGER

WIRING DEVICE-KELLEMS  
HUBBELL INCORPORATED  
SHELTON, CT

TOLERANCES UNLESS OTHERWISE SPECIFIED .XX = ± .01 .XXX = ± .005 ANGLE TOL. ±2'	DR. BY V.C	SCALE 1 / 2
CHK. BY F.Z	DATE 2019.6.28	

CAGE CODE 74545

DIMENSION SHEET FOR CAT. NO. SEE TABLE

B

M-13909

2