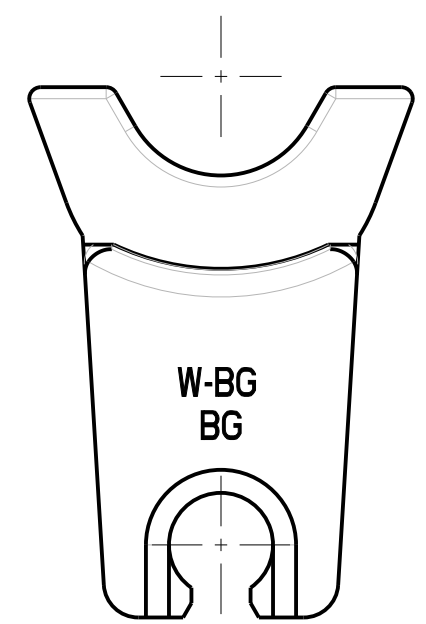
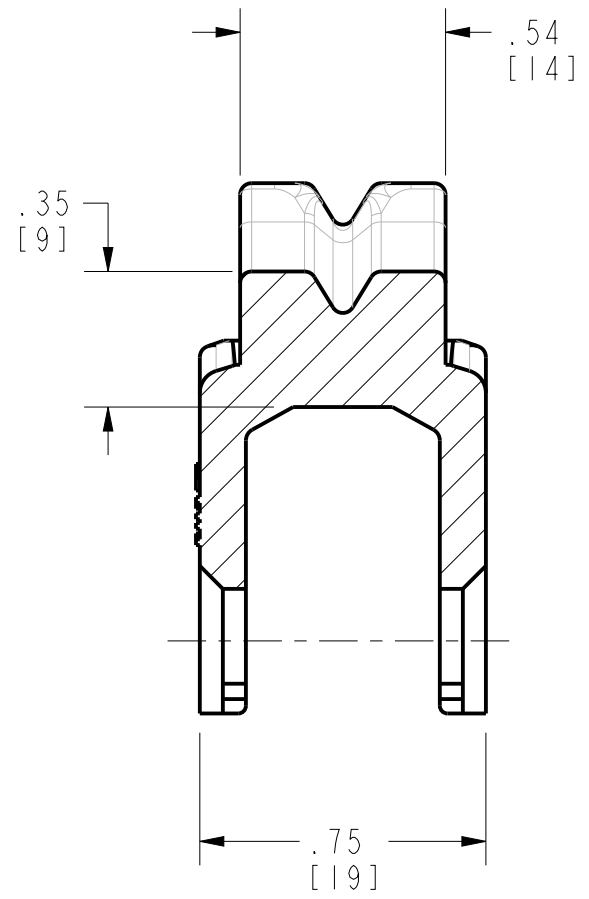
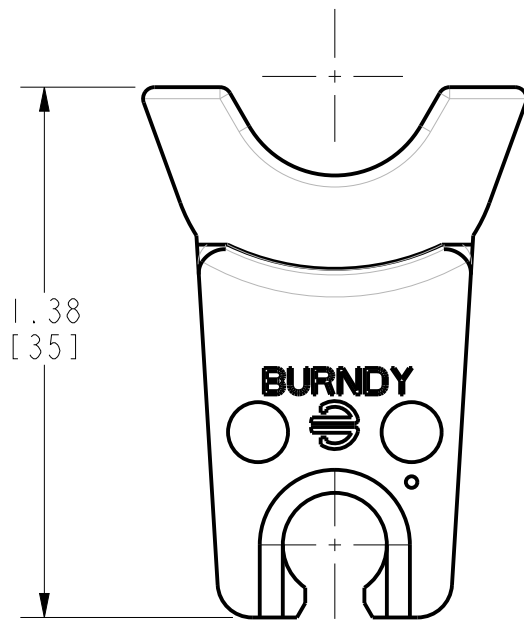
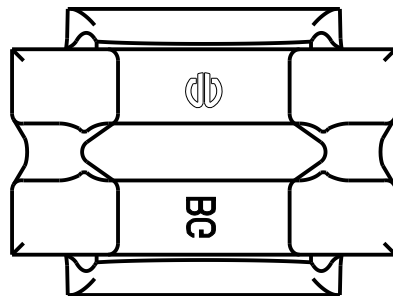


REV.	DATE	DESCRIPTION	ECO	BY	C'H'K.
B	01/27/2014 16:04:00 PM	ADD NOTE 4 PER M/U.	34286	RB	LB



NOTES:

1. INTERPRET THIS DRAWING PER ASME Y14.5M-1994.
2. DIMENSIONS IN BRACKETS [] ARE IN MILLIMETERS ROUNDED OFF TO THE NEAREST MILLIMETER UNLESS OTHERWISE NOTED AND ARE FOR REFERENCE ONLY.
3. MATERIAL: STAINLESS STEEL.
4. DIE GAGE CAT. NO. WPGBG.

TO ORDER BURNDY® PRODUCTS CALL
 UNITED STATES:
 1-800-346-4175 (LONDONDERRY, NH)
 CANADA:
 1-800-361-6975 (QUEBEC)
 1-800-387-6487 (ALL OTHER PROVINCES)
 FOR PRODUCT INFO: <http://www.burndy.com>

MD6 HYTOOL™ "BG" DIE	
ITEM NO: 464005	
CAT. NO: W-BG	
DRAWN BY: T. FAUCHER	06/07/2010
CHECKER: R. ROMAN	06/07/2010
DSN APPVL: R. ROMAN	04/13/2010
MFG APPVL: S. HOPPS	04/13/2010
QA APPVL: J. BRODEUR	04/21/2010
MKT APPVL: R. POIRIER	06/01/2010
PROD FAM: TOOLS, HYDRAULIC	SCALE: 2:1
PROJECT #: --	SIZE
DOCUMENT TYPE: Production	DRAWING NO
REL LEVEL: Released	30000157
	SHEET 1 OF 1



REV: PE0200