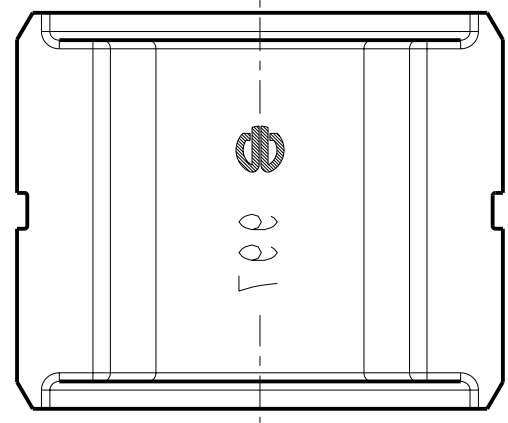
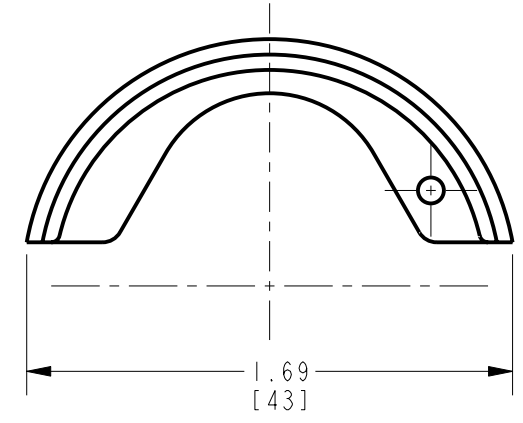
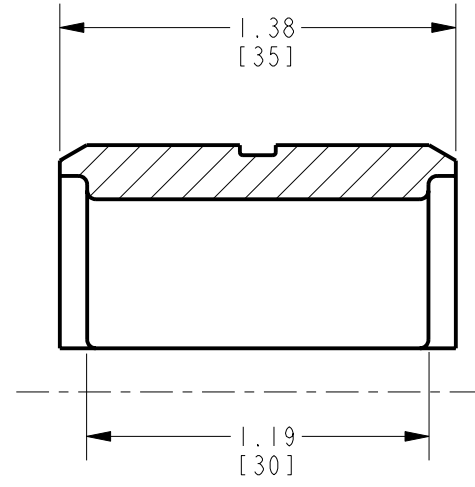
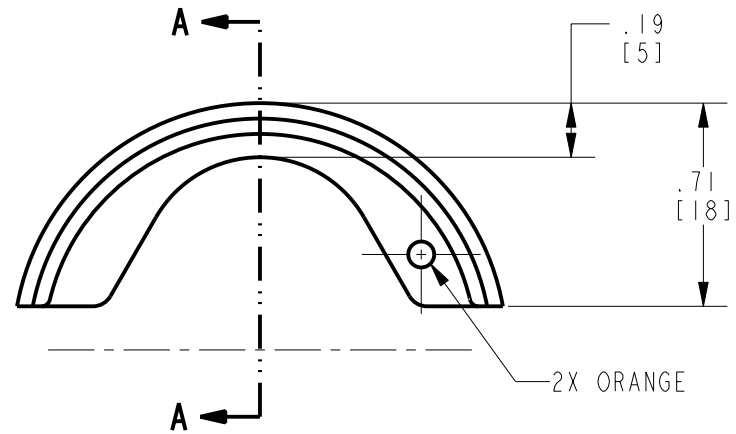
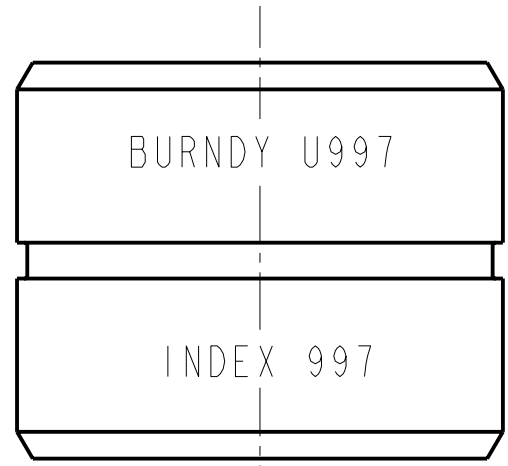


REV.	DATE	DESCRIPTION	ECO	BY	C'H'K.
A	11/9/2009 9:00:00 AM	INDIVIDUAL SALES DRAWING RELEASED	19517	RM	JG



NOTES:

1. DIMENSIONS IN [] BRACKETS ARE IN MILLIMETERS, ROUNDED OFF TO THE NEAREST MILLIMETER, UNLESS OTHERWISE NOTED. METRIC DIMENSIONS ARE FOR REFERENCE ONLY.
2. DIE INSPECTION GAGE CATALOG NUMBER (CUSTOMER & ENGINEERING ONLY): UPG997
3. MATERIAL: STAINLESS STEEL

TO ORDER BURNDY® PRODUCTS CALL
 UNITED STATES:
 1-800-346-4175 (LONDONDERRY, NH)
 CANADA:
 1-800-361-6975 (QUEBEC)
 1-800-387-6487 (ALL OTHER PROVINCES)
 FOR PRODUCT INFO: <http://www.burndy.com>

RADIAL NON BUTTING TWIN DIE		SCALE: 1:1
ITEM NO: N/A		DRAWING NO
CAT. NO: U997		
DRAWN BY: R. MURUGESAN 11/9/2009		REV
CHECKER: --		
DSN APPVL: --		10109431
MFG APPVL: --		
QA APPVL: --		A
MKT APPVL: --		
PROD FAM: TOOLS_HYDRAULIC/U_DIE	SIZE	SHEET 1 OF 1
PROJECT #: --	B	
DOCUMENT TYPE: Sales		
REL LEVEL: Released		

REV: PE0200