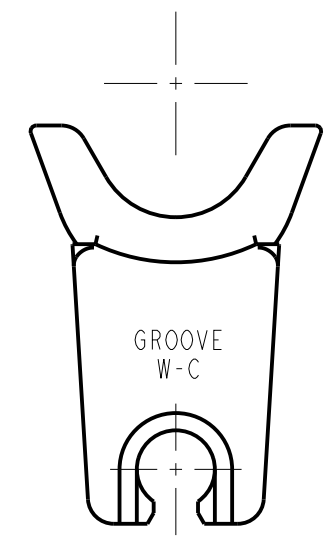
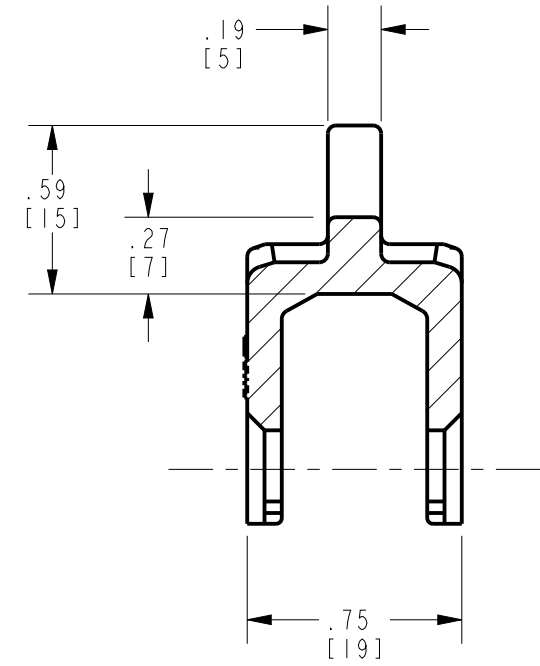
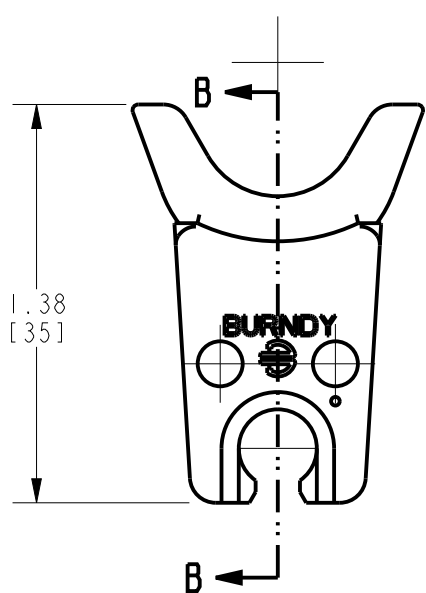
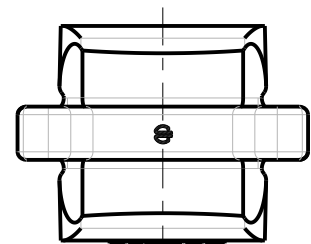


REV.	DATE	DESCRIPTION	ECO	BY	C'H'K.
B	01/29/2014 04:30:00 AM	ADD NOTE 4 TO DRAWING PER M/U.	34286	RB	LB

CONNECTOR CAT. NO.	ACCOMMODATES					
	RUN			TAP		
	ACSR, AAAC, 5005	ALUMINUM	COPPER	ACSR, AAAC, 5005	ALUMINUM	COPPER
YC2C4			2 SOL - 2 STR.			8 SOL - 4 STR.
YC2C2						2 SOL - 2 STR.
YC2A6					6 SOL & STR.	
YC2A4	4-2	2 SOL & STR.		6	4 SOL & STR.	
YC2A2				4-2	2 SOL & STR.	
YC25A4				6-4	6 STR & 4 STR.	
YC25A2	1/0	1/0 STR.		2	2 SOL & STR.	
YTU25R4W				6	6 (7 STR.) 4(SOL.)	6 (7 STR.) 4(SOL.)
YTU25R2W	1/0	1/0(7,19)	1/0(7,12,19)	4	4 (7 STR.) 2(SOL.)	4 (3, 7 STR.) 2(SOL.)
YTU25R2R	80(8-1)			2	2 (7 STR.)	2 (3, 7 STR.)
YTU25R25R				1/0 80(8-1)	1/0(7,19)	
YTA25R-2N	1/0	1/0(7,19)	1/0(7,12,19)			
YKA25R-2N	1/0	1/0(7,19)	1/0(7,19)			
Y5A25R-2N	1/0	1/0(7,19)	1/0(7,19)			
YCB1R	1	1(7,19)				
YCB25R	1/0-80(8-1)	1/0(7,19)				



REFERENCE: PD052089

SECTION B-B

- NOTES:
- THIS DRAWING TO BE INTERPRETED PER ASME Y14.5M - 1994.
 - DIMENSIONS IN BRACKETS [] ARE IN MILLIMETERS ROUNDED OFF TO THE NEAREST MILLIMETER, UNLESS OTHERWISE SPECIFIED, AND ARE FOR REFERENCE ONLY.
 - MATERIAL: STAINLESS STEEL.
 - DIE GAGE CAT. NO. WPGC.

TO ORDER BURNDY® PRODUCTS CALL
 UNITED STATES:
 1-800-346-4175 (LONDONDERRY, NH)
 CANADA:
 1-800-361-6975 (QUEBEC)
 1-800-387-6487 (ALL OTHER PROVINCES)
 FOR PRODUCT INFO: <http://www.burndy.com>

MD6 HYTOOL™ 'C' DIE	
ITEM NO: N/A	
CAT. NO: W-C	
DRAWN BY: JHB	01/07/72
CHECKER: JHB	01/07/72
DSN APPVL: --	
MFG APPVL: --	
QA APPVL: --	
MKT APPVL: --	
PROD FAM: MECHANICAL/W-DIES	SCALE: 1:1
PROJECT #: --	DRAWING NO
DOCUMENT TYPE: Sales	REV
REL LEVEL: Released	SC072751-01
	SHEET 1 OF 1



REV: PE0200