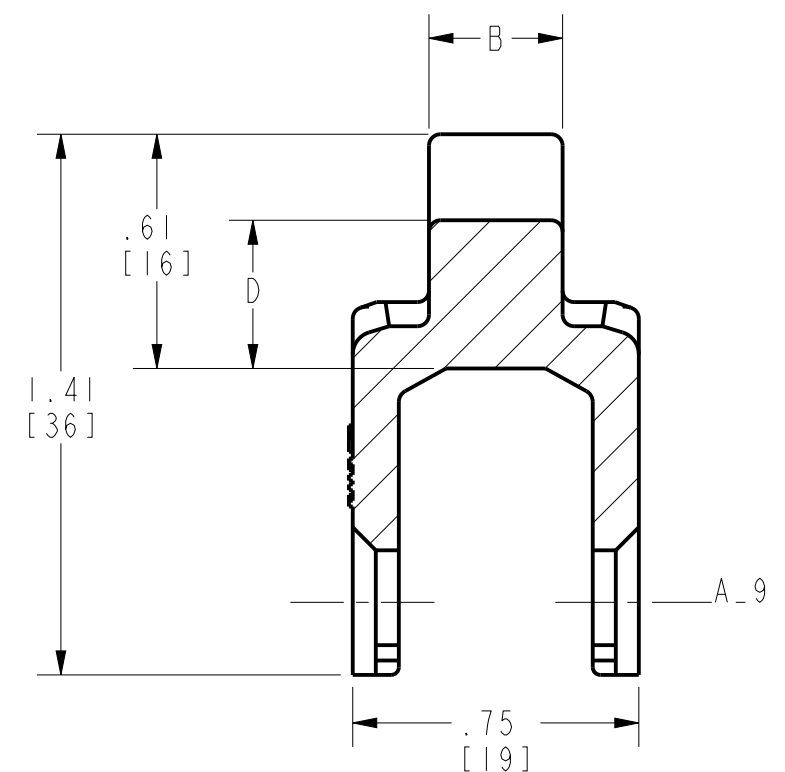
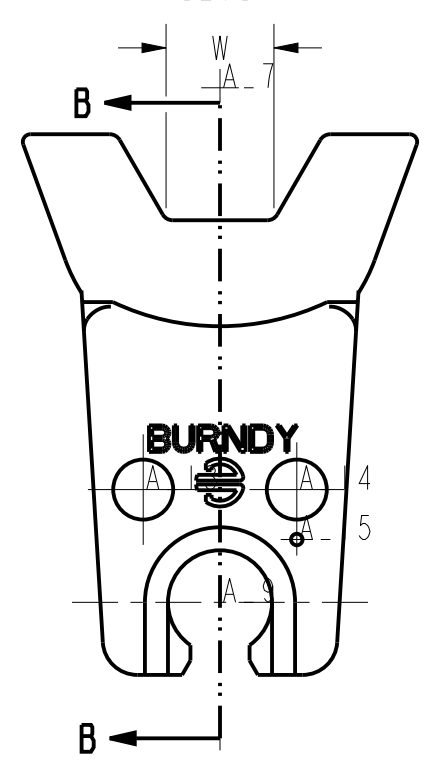
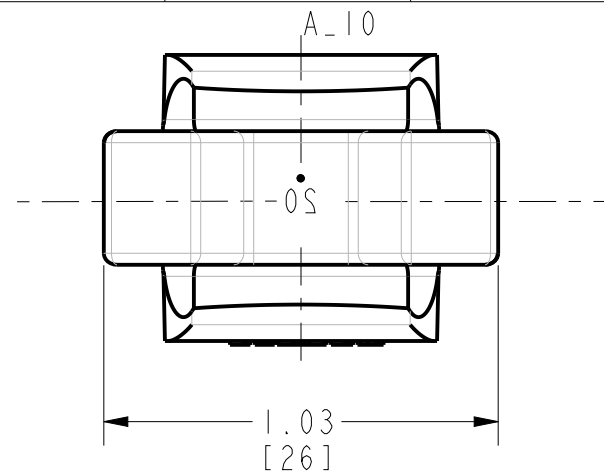
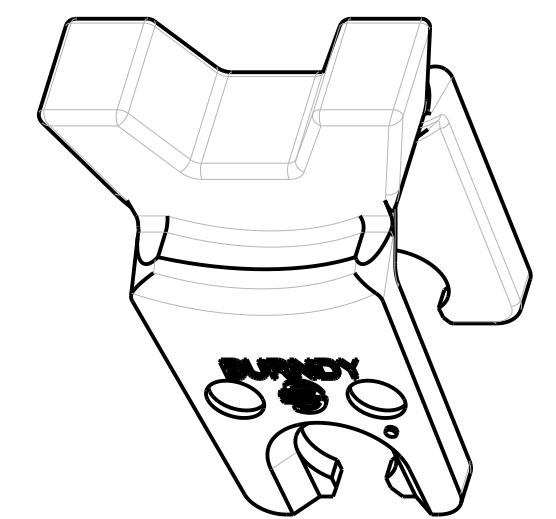
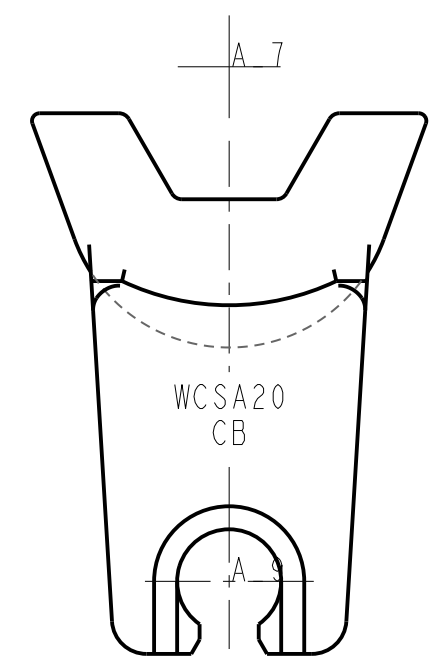


CATALOG NO.	DIE INDEX	GAGE CAT. NO.	D	W	B
WCSA20	20	WPGCSA20	.39 [10]	.28 [7]	.35 [9]
WCSA22	22	WPGCSA22	.36 [9]	.32 [8]	.35 [9]
WCSA24	24	WPGCSA24	.28 [7]	.41 [10]	.35 [9]
WCSA1	1	WPGCSA1	.39 [10]	.28 [7]	.19 [5]
WCSA2	2	WPGCSA2	.34 [9]	.34 [9]	.19 [5]

REV.	DATE	DESCRIPTION	ECO	BY	C'H'K.
B	01/28/2014 00:00:00 AM	ADD COLUMN GAGE CAT. NO. TO TABLE PER W/U.	34286	RB	LB



SECTION B-B



NOTES:

- DIMENSIONS IN [] BRACKETS ARE IN MILLIMETERS, ROUNDED OFF TO THE NEAREST MILLIMETER, UNLESS OTHERWISE NOTED. METRIC DIMENSIONS ARE FOR REFERENCE ONLY.
- MATERIAL: STAINLESS STEEL.

TO ORDER BURNDY® PRODUCTS CALL
 UNITED STATES:
 1-800-346-4175 (LONDONDERRY, NH)
 CANADA:
 1-800-361-6975 (QUEBEC)
 1-800-387-6487 (ALL OTHER PROVINCES)
 FOR PRODUCT INFO: <http://www.burndy.com>

MD6 HYTOOL, HEX "W" DIE	
ITEM NO: --	
CAT. NO: SEE TABLE (WCSA--)	
DRAWN BY: M.GOWRISANKAR	01/25/10
CHECKER: R.ROMAN	01/29/10
DSN APPVL: R.ROMAN	01/29/10
MFG APPVL: S.HOPPS	02/01/10
QA APPVL: J.BRODEUR	01/30/10
MKT APPVL: R.POIRIER	01/29/10
PROD FAM: Tools_Mechanical/w-dies	
PROJECT #: --	SIZE
DOCUMENT TYPE: Sales	B
REL LEVEL: Released	
DRAWING NO	10112243
SCALE: 1:1	
REV	B
SHEET 1 OF 1	

REV: PE0200